

# INSTALLATION GUIDE

# **AMP** **Power Step** RESEARCH MADE IN USA

APPLICATION

MODEL YR

PART #

Ford Transit - 2 Sided  
(All slider and barn door models)

2014-2017

76259-01A

## INSTALLATION TIME

**3-5 Hours**

Professional installation recommended

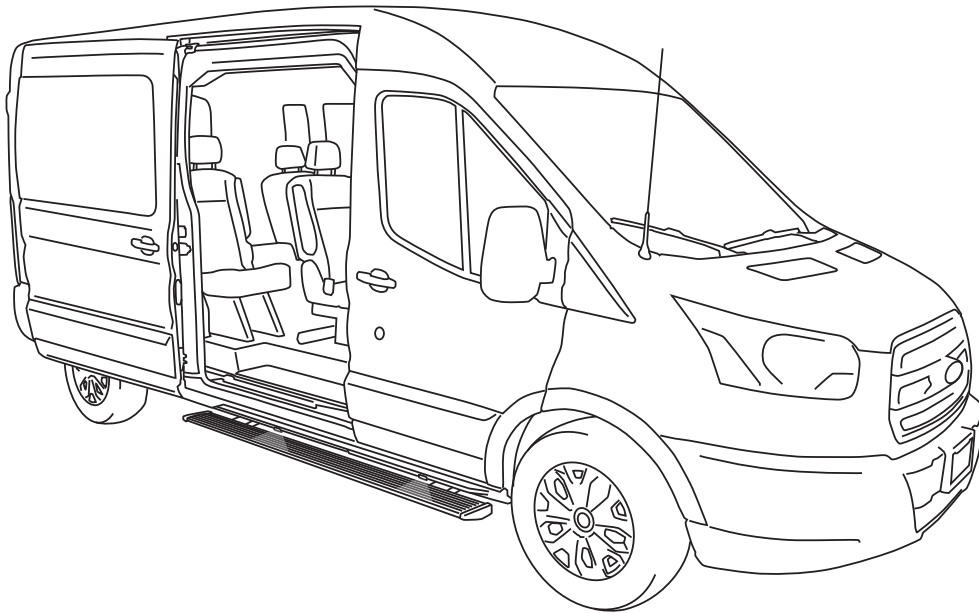
## SKILL LEVEL



4= Experienced

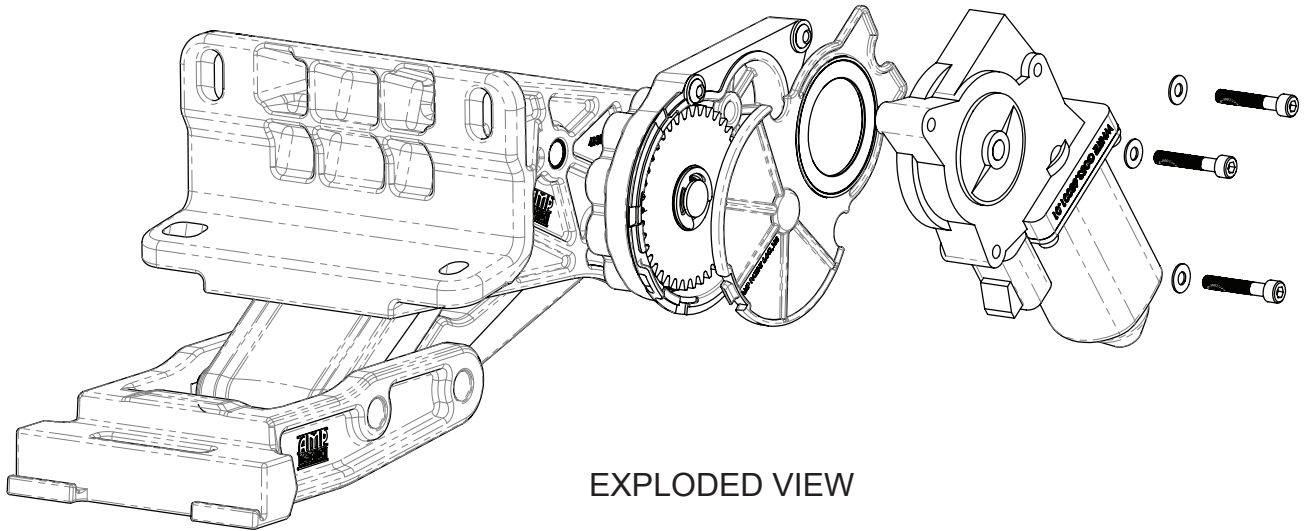
## TOOLS REQUIRED

- Safety goggles
- Measuring tape
- Power Drill
- 1/8" Drill Bit
- 17/32" Drill Bit
- 21/64" Drill Bit
- 10 mm socket
- 13 mm socket
- 9/16" wrench
- Ratchet wrench and extension
- Wire crimpers
- Wire stripper / cutter
- 3/16" hex key wrench (allen wrench)
- 4mm hex key wrench (allen wrench)
- Electrical tape
- Weather proof caulking (silicone sealer)
- Silicone spray



## INSTALLATION GUIDE

Attaching motors to Linkage assemblies. **To be assembled in Step 5.**



EXPLODED VIEW

- Motor
- Socket cap screws
- Washers
- Drive Gear Housing Cover

**CAUTION: HANDLE WITH CARE.**

***The motors must be put on in Step 7 after the linkages are tightened to the body of the vehicle.***

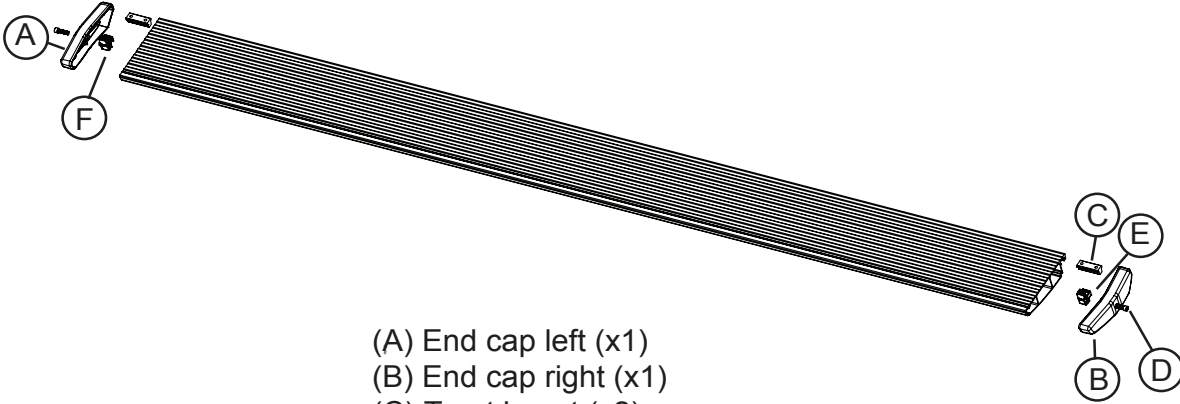
To ensure our customers receive all components with full integrity, we pack the motors separate from their linkage assemblies. This requires that the installer position and fasten the motor before continuing with the install. Please follow the instructions below and handle the assembly carefully.

CAUTION: Dropping the assembly or any excessive impact MAY cause damage to the motor.

**Instructions:**

1. Position the gear cover in place as shown if not already in place.
2. Seat motor into position on the three mounting bosses. This may require an adjustment of the gear by moving the swing arms.
3. After seating into place, fasten the motor with the three motor mount screws with 4mm Hex Head. Tighten screws to 36 in-lbs (4N-m). **Do not over torque.**

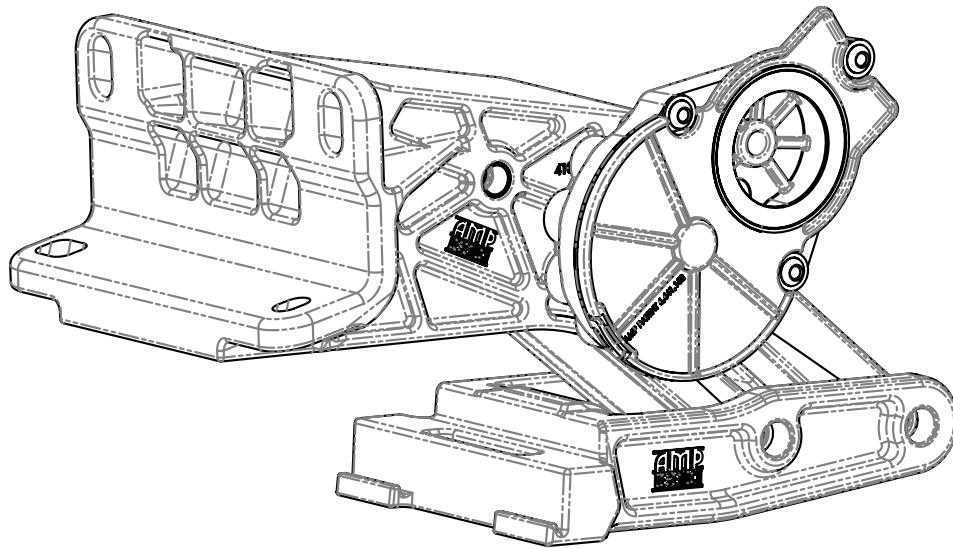
PARTS LIST AND HARDWARE IDENTIFICATION



- (A) End cap left (x1)
- (B) End cap right (x1)
- (C) T-nut insert (x2)
- (D) Socket cap screw (x2)
- (E) End cap wedge right (x1)
- (F) End cap wedge left (x1)

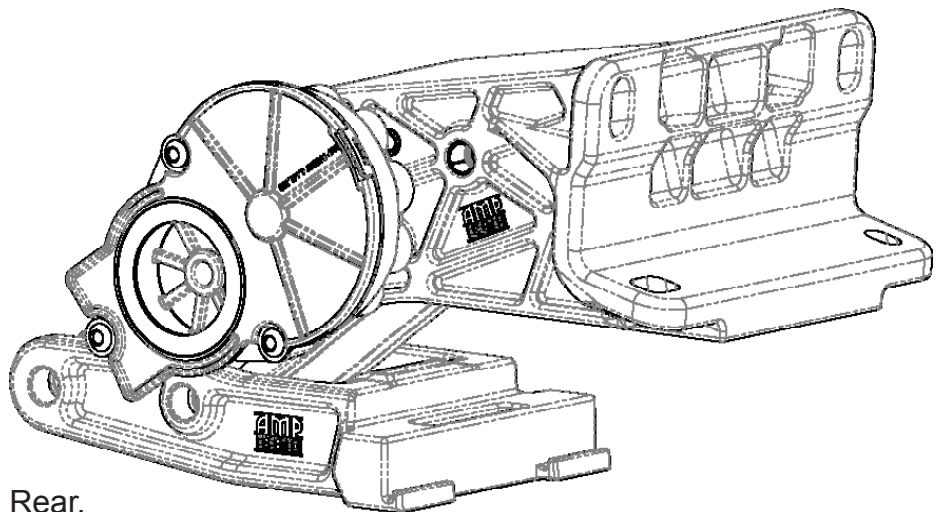
1 x2

Running board assembly



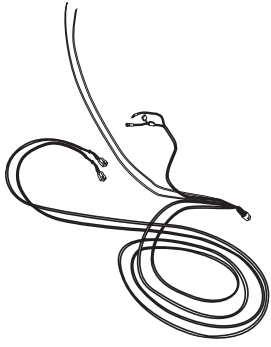
2 x3

Motor Linkage assembly, Driver Side & Pass Front.

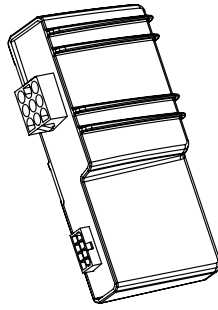


3 x1

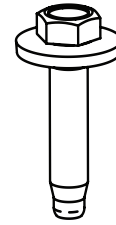
Motor Linkage assembly Pass Rear.



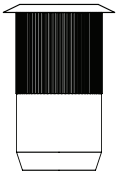
④  
Wire harness



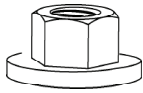
⑤  
Controller



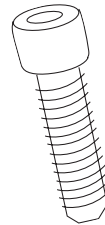
⑥ x18  
Hex Bolt with Conical Washer



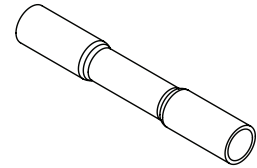
⑦ x16  
Rivet Nut



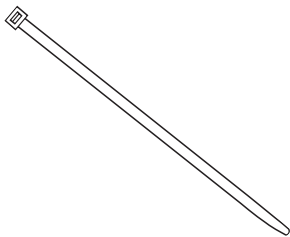
⑧ x3  
Nut with Conical Washer



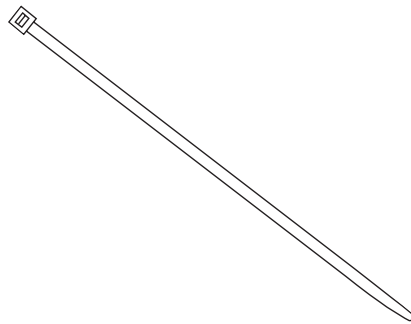
⑨ x8  
Socket Cap Screw



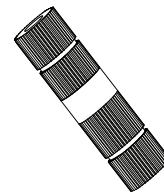
⑩ x8  
Butt Connector



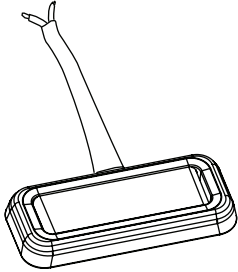
⑪ x20  
Cable tie (7")



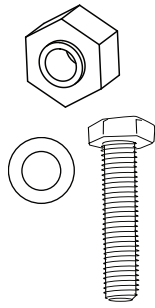
⑫ x2  
Cable tie (11")



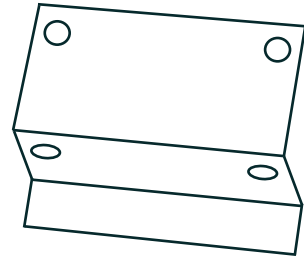
⑬ x2  
Posi-Lock™  
Connector



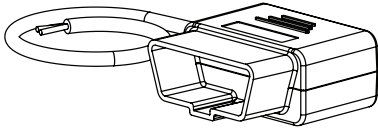
14 x4  
LED Lamp



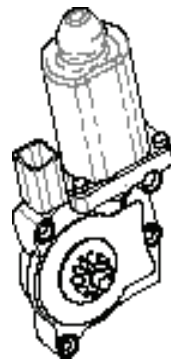
15  
Rivet Nut Tool



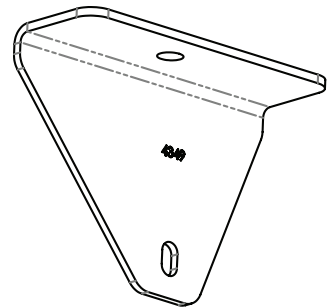
16  
Drill Template



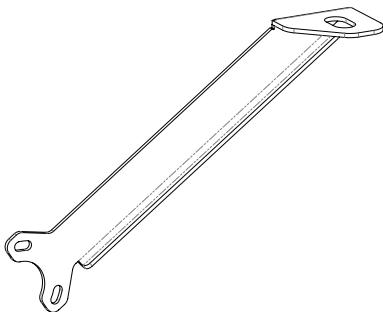
17  
Module



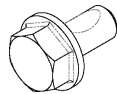
18 x4  
Motor



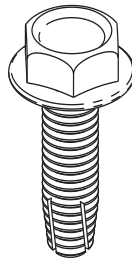
19  
Front Pass. Bracket



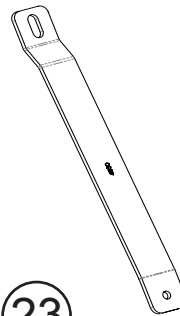
20 x2  
Rear Bracket



21 x5  
Bolt



22  
Thread Cutting Bolt



23  
Front Driver Bracket

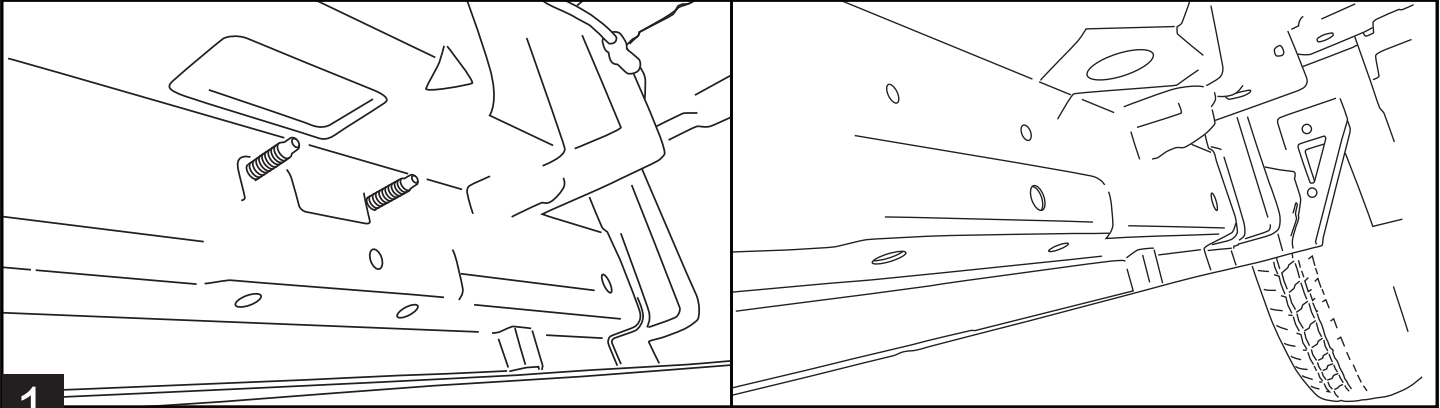


24  
Washer

## Installing Linkages (Passenger Side)

### Rear Motor Linkage

If equipped, remove factory fixed-step on the Passenger and Driver side. If no steps are present, you may have studs and tapped holes present or just plain holes alone, or inserts that need to be tapped (use M8 tap from cover page to tap). If threaded studs or inserts are present, or holes were tapped, attach the **Rear Motor Linkage**. If not, proceed to the next step before installing the **Rear Motor Linkage**.

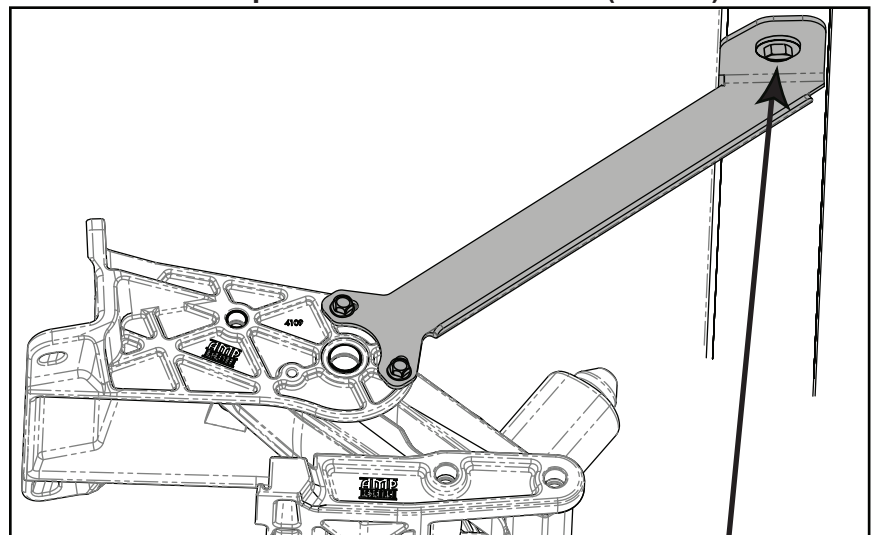
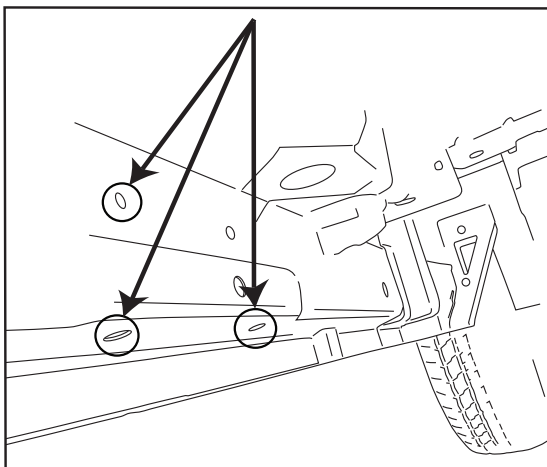


1

To attach the **Rear Motor Linkage** to the rear factory-step mount location, when no studs/threaded inserts are present, the three holes need to be drilled to the proper size **17/32"** to install three Rivnuts (#7) using the supplied Rivnut tool (#15). Next, install the **Rear Motor Linkage** (#3) using three Conical bolts (#6), start by installing the upper bolt loosely, then install and tighten the bottom two bolts fully. Now, tighten the top.

Torque fasteners to 10 ft-lbs. (22 N m).

Torque fasteners to 16 ft-lbs. (22 N m).



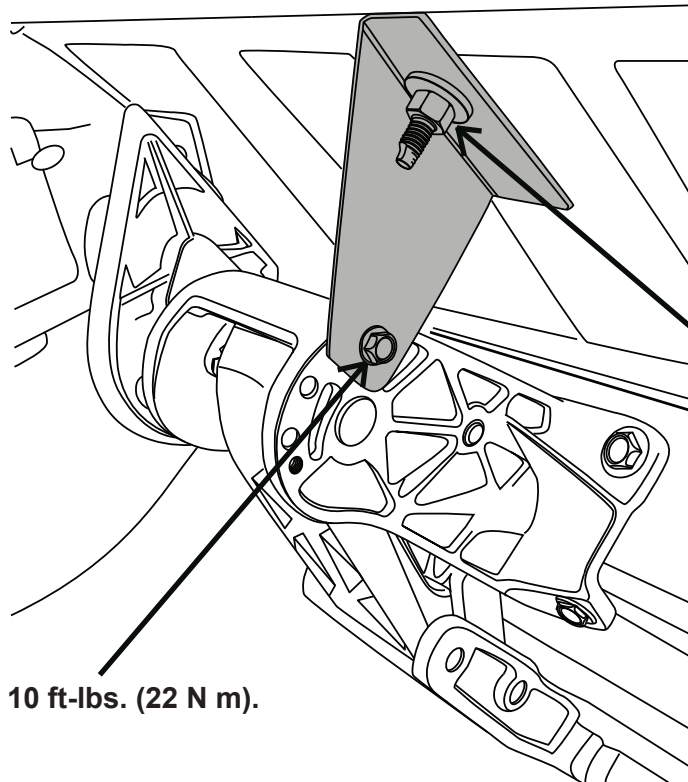
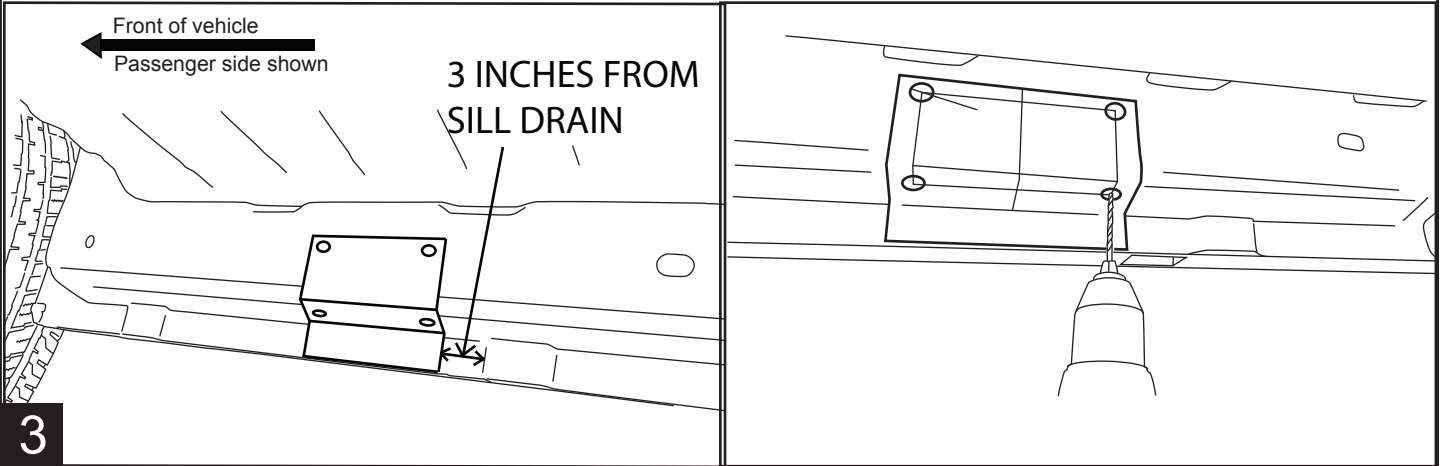
To attach the **Rear Bracket** (#20) to the rear linkage, start by using the Thread Cutter bolt (#22), to cut threads in the blank insert in the frame rail. Use a 9/16" socket and ratchet go slow and stay straight.

Then install the bracket on the non-motor side of linkage loosely with two bolts (#21), install the upper Bolt (#22) and Washer (#23), loosely and tighten the bottom two bolts fully. Now, tighten the top.

2

## Front Motor Linkage

Next, for the **Front Motor Linkage (#2)**, attach the **drill template (#16)** 3 inches in front of the second sill drain from the front with tape, mark 4 holes to drill. **Drill a 1/8" pilot hole, then a 17/32" hole at each location and install four Rivnuts (#7) using the supplied rivnut tool (#15).** Install Motor Linkage (#2) with Conical bolts (#6), install the upper bolt loosely, then tighten the bottom two bolts fully. Now, tighten the top. **Torque fasteners to 16 ft-lbs. (22 N m).**



**NOTE:** Make sure to remove contents from other side of floor before drilling. Prop up foam liner.

**Torque to 16 ft.lbs.**

To install front bracket (passenger side), first install the bracket as shown to the front linkage non-motor side using bolt (#21). Push bracket up to floor and mark the center of the hole to be drilled. Remove the bracket, and open spare tire tool-compartment under the front passenger seat. Remove contents and drill hole from the bottom with a 21/64" drill bit, prop up the foam liner to limit it's damage and to install bolt. Re-install bolt (#21), install the bolt(#6) from up top and the Nut (#8) on the bottom.

**4 Torque to 16 ft.lbs.**



## Installing Linkages (Driver Side)

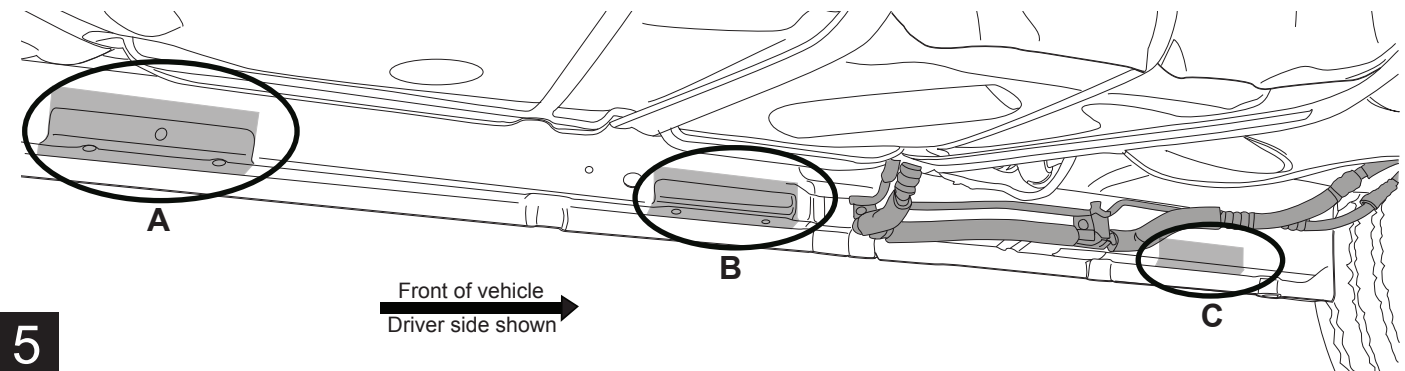
Repeat steps 1 through 3 on the Driver side of the vehicle. 4 Rivnuts will need to be installed at each mounting location. Depending on what is desired, the driver side step may be trimmed short and the two linkages may be placed closer together to provide a step just for the driver.

### For Full Length Driver Step:

The rear most position(A) is to be used along with the drilled front position(C). Position (A) is similar to the passenger side but only has two lower holes present, the upper holes need to be drilled with the template. As seen below.

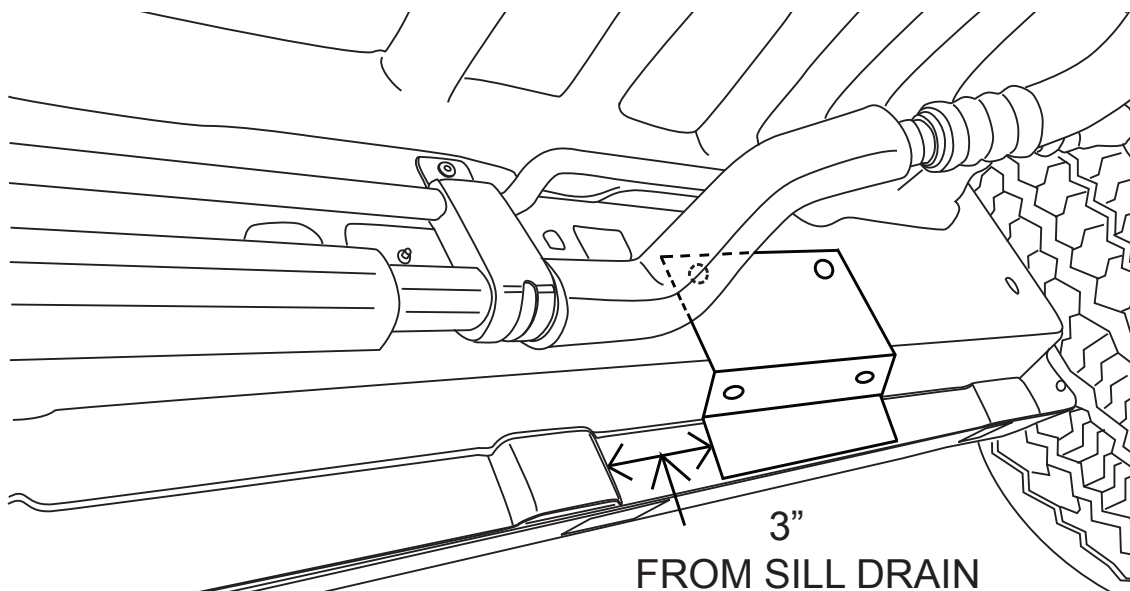
### For Short Driver Step:

The middle position(B) is to be used along with the drilled front position(C). Position (B) is similar to the passenger side but only has two lower holes present, the upper holes need to be drilled with the template. As seen below. **The board should be cut down to 50 inches long and the rear driver bracket isn't used.**



5

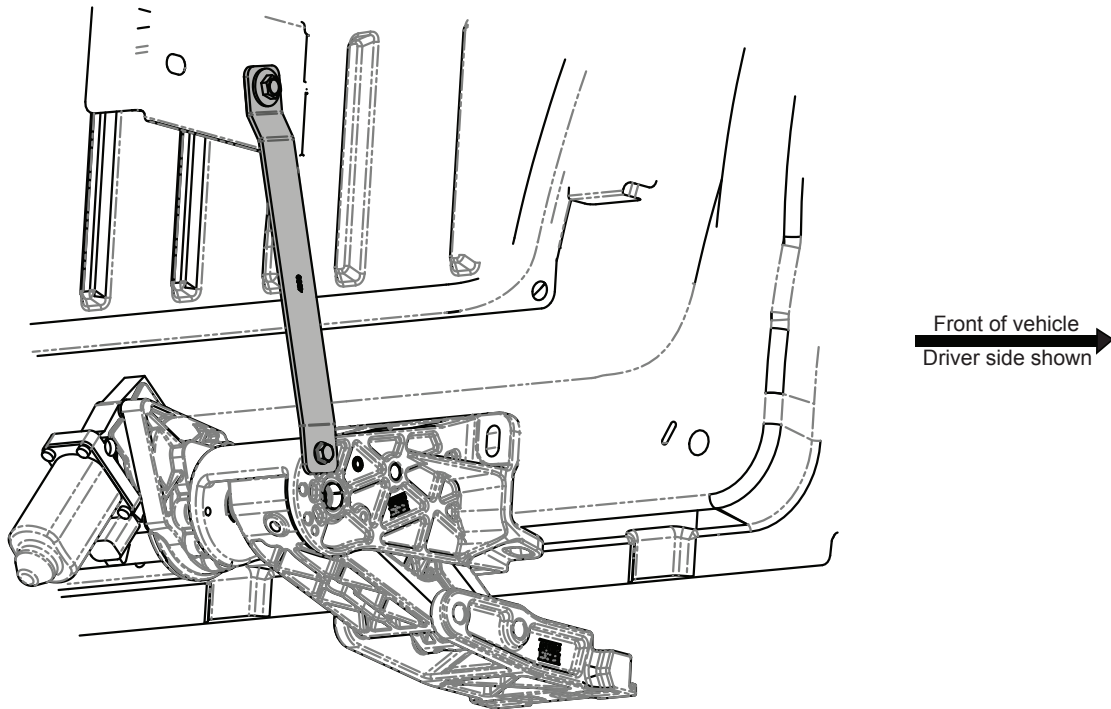
The Front Motor Linkage needs to be installed **3 inches** in front of the sill drain. If the AC plumbing is present, hold the linkage up to body to ensure fit with the AC lines in place, and mark the edge location. If the AC lines touch the top of the linkage mount, gently bend them up so they don't contact (this can vary between vehicles). Attach the **drill template (#16)** accordingly with tape, mark 4 holes to drill. Before drilling the upper rivnut holes, the AC-line brackets will need to be unbolted from the frame temporarily for clearance. Swing the AC lines down and out of the way so the holes can be drilled. Install the 4 rivnuts and the Linkage.



6

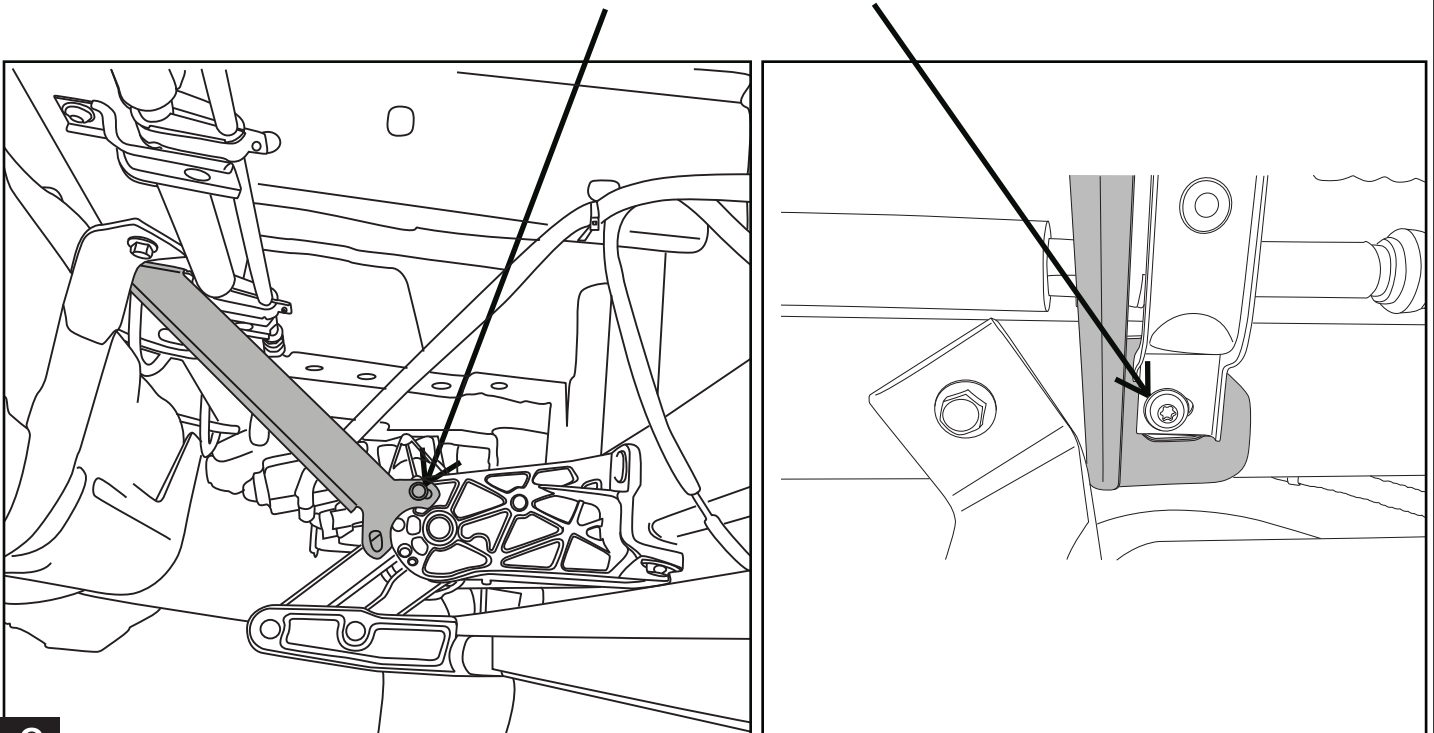


Next, install the Driver Bracket to the front face of the Front Driver Linkage and the vertical plate on the frame as shown below, there is an existing hole present. Use bolt (#21), bolt (#6), and Nut (#8). If the rear AC lines are present the bracket will go between them.



7

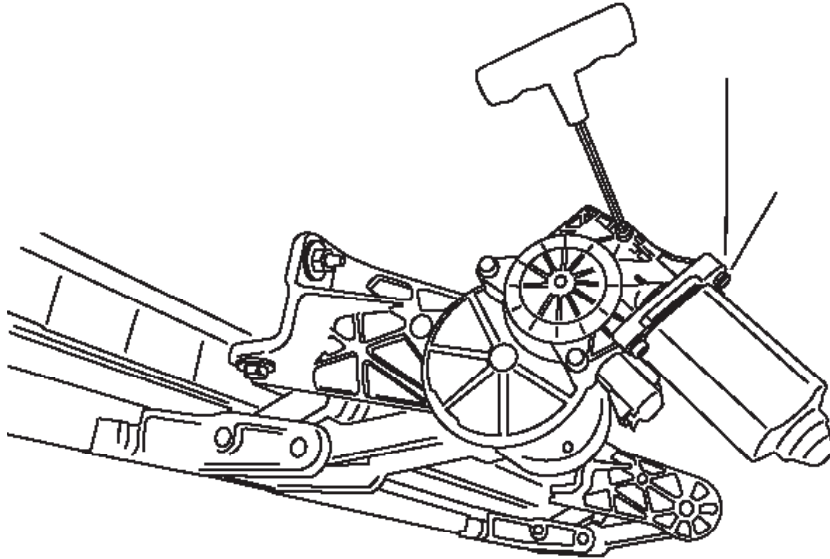
Next, install the Rear Driver Bracket to the front face of the Front Driver Linkage with one bolt(#21). The other end is put under AC-line bracket, and the factor bolt and tapped hole are used on the frame just behind the fuel tank bracket as shown below, there is an existing hole present. Use bolt (#21), bolt (#6), and Nut (#8). If the rear AC lines are present the bracket will go between them. If no insert is present, drill the hex hole with a 3/8" bit and then a 17/32" bit and install another M8 rivnut(#7) and a bolt(#6).



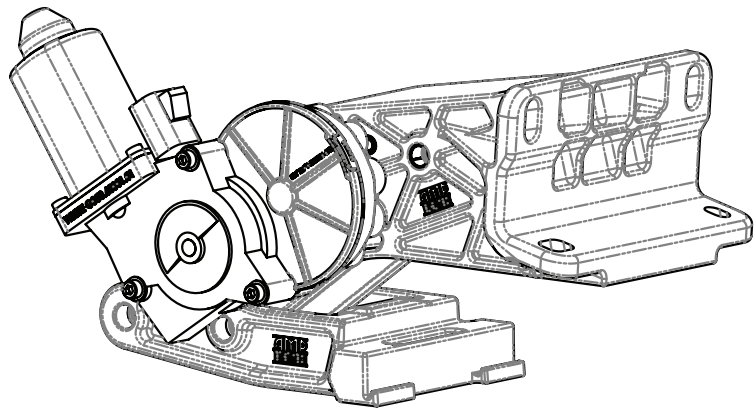
8

Install the motors onto the Linkage Assemblies. See page 2 for motor installation instructions.

**Note:** The Fronts and Rear Driver motors mount in a downward direction and the rear Passenger motor mounts on the opposite side of the linkage in an upward direction as shown below.



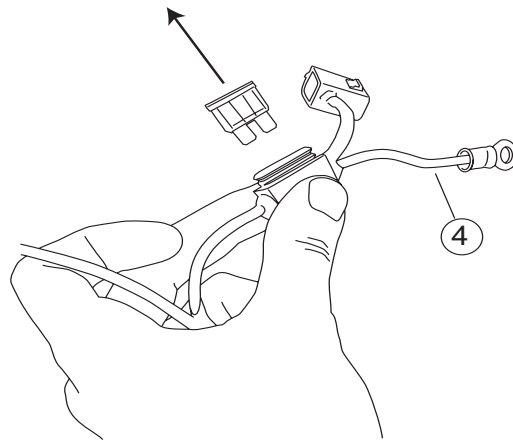
Passenger Front Linkage  
Driver Front & Rear Linkage



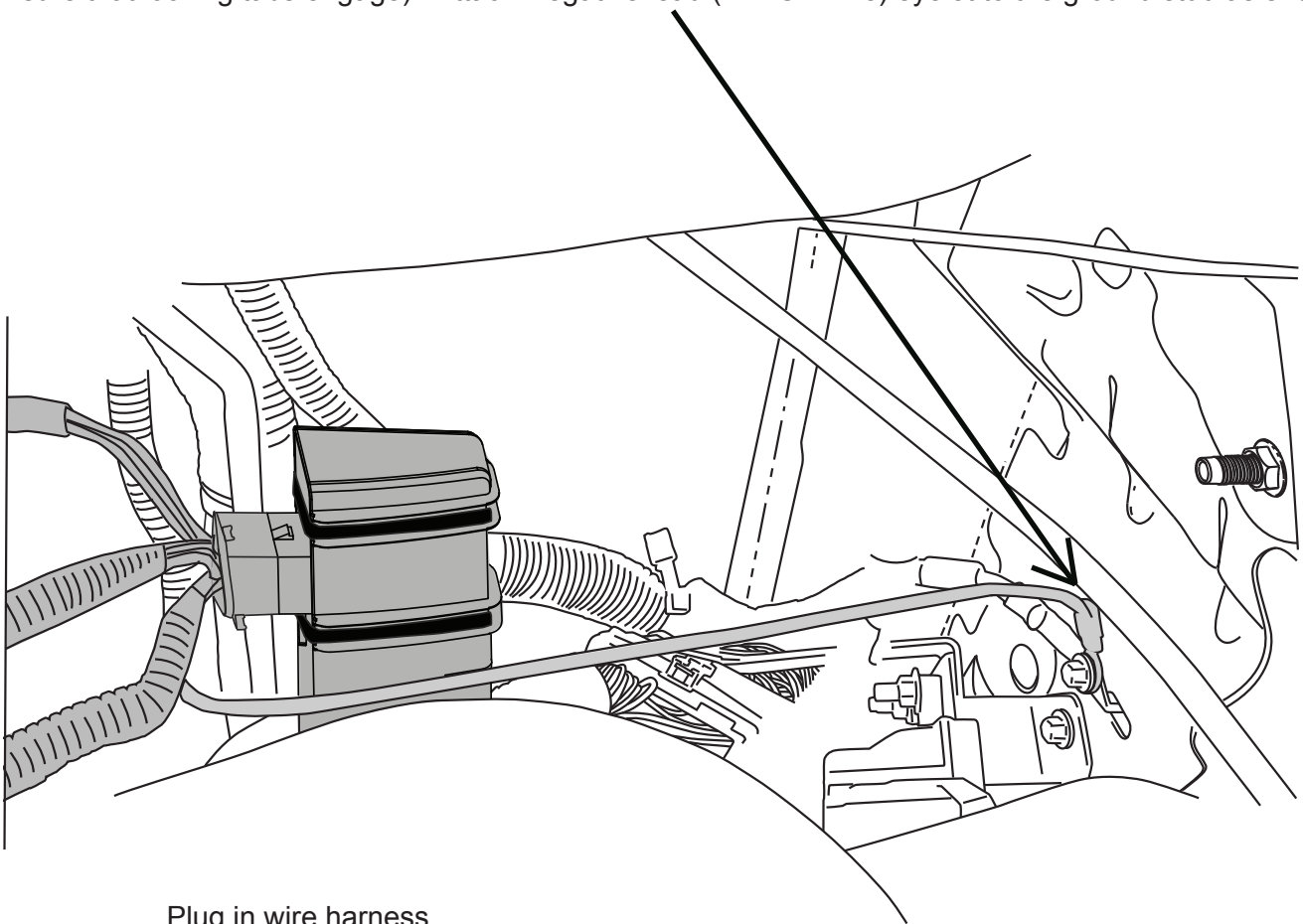
Rear Passenger Linkage

## Installing Electrical Components

Remove fuse from harness.

**10**

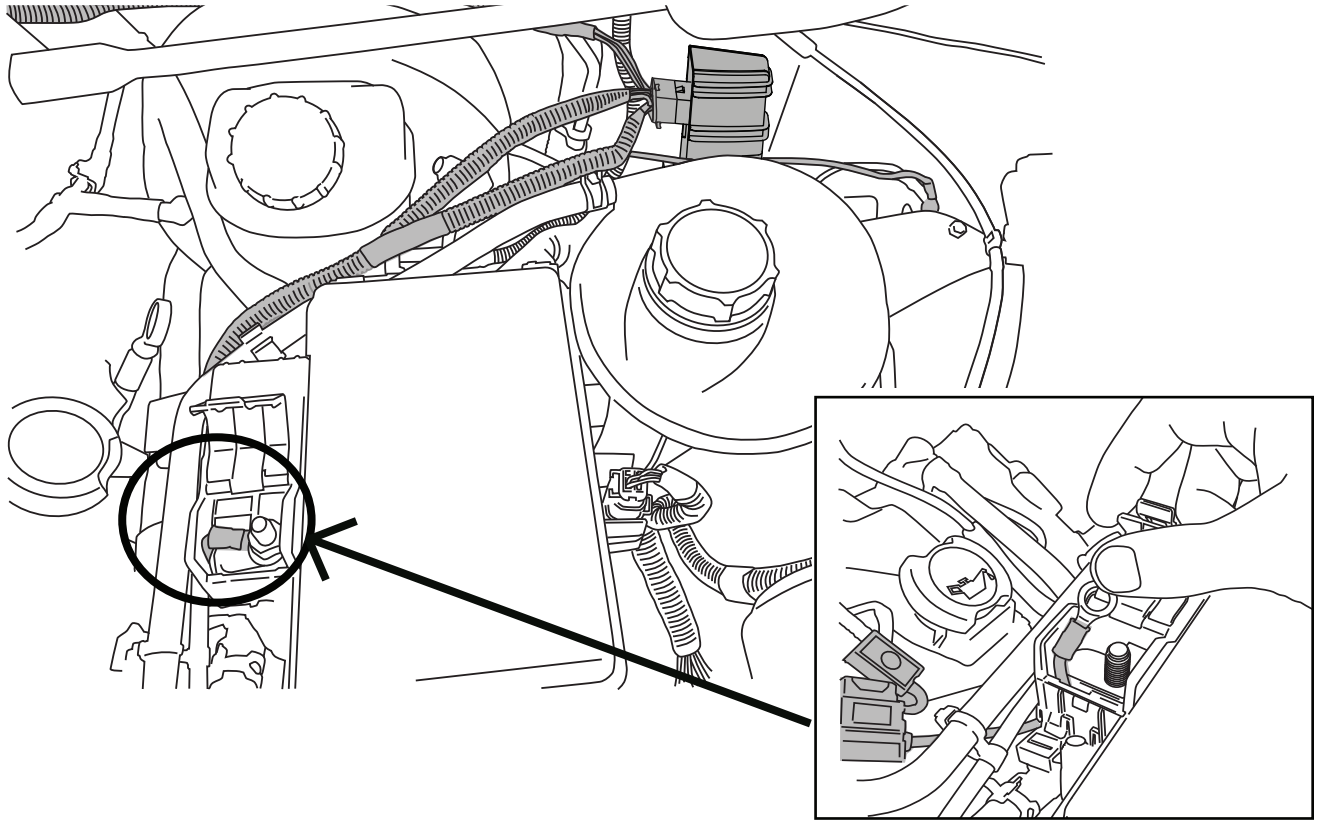
Using the two 11" cable ties (#12), mount controller (#5) to the main harness (#4) and plug in the connectors, (Ensure that locking tabs engage). Attach Negative lead (BLACK wire) eyelet to the ground stud as shown.



Plug in wire harness.  
(Ensure that locking tabs engage)

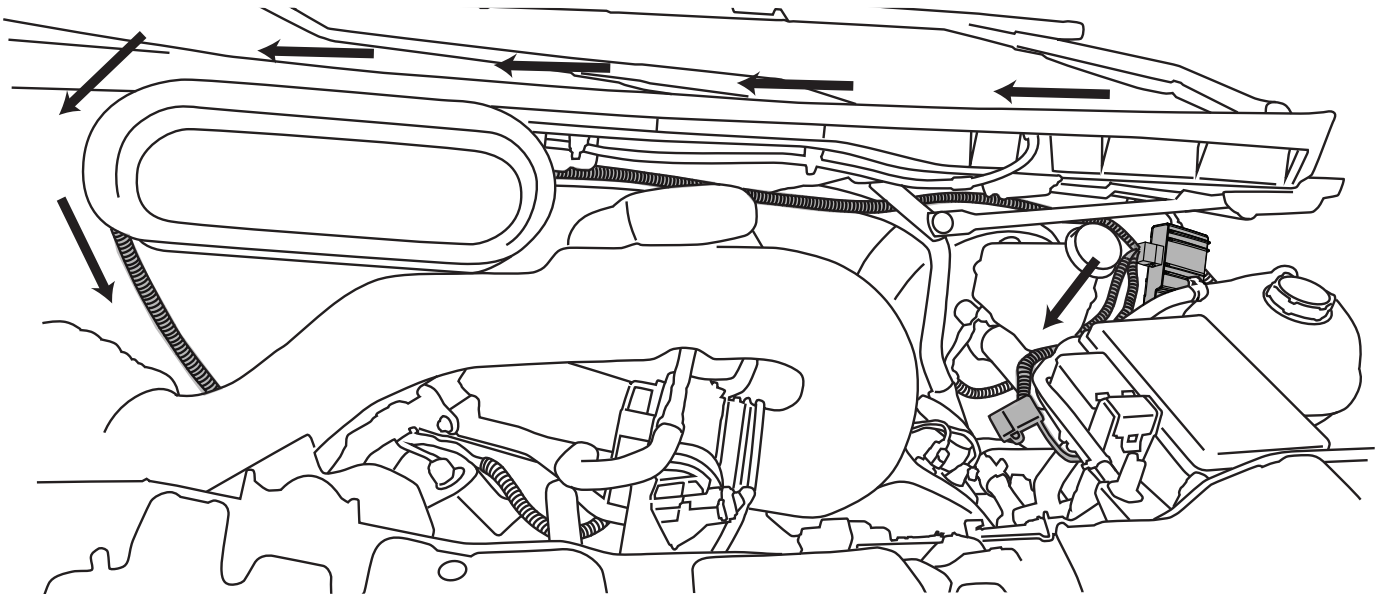
**11**

Attach power lead (RED wire) to positive pole on the Fuse block. **CAUTION:** Do not ground wrench when engaged with nut.



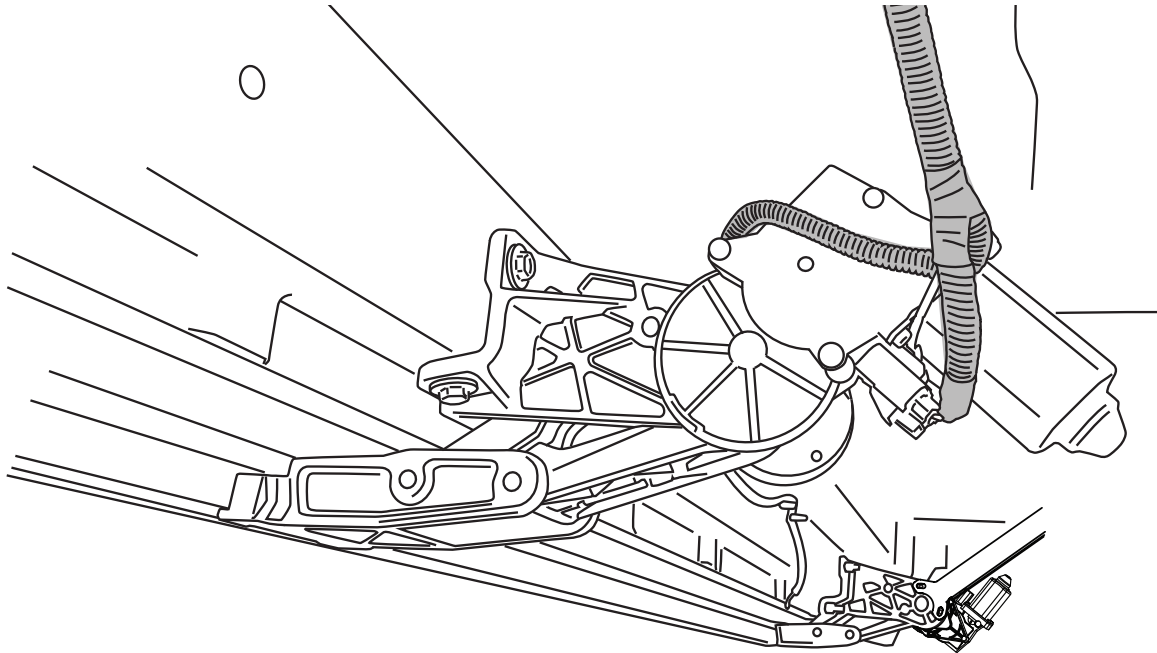
12

Route long end of wire harness above engine and down through passenger side wheel well. Zip tie the harness to cowlings clips on fire wall. Route the short end down through driver side wheel well. Keep away from exhaust and steering components. Secure with zip ties (#20).



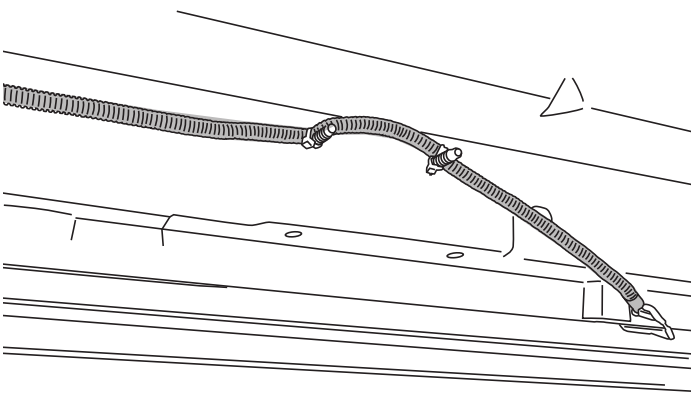
13

Route wire harness legs along the upper side of the floor/rocker structure directly towards the respective front linkages. Secure with zip ties (#20). Keep away from exhaust components.



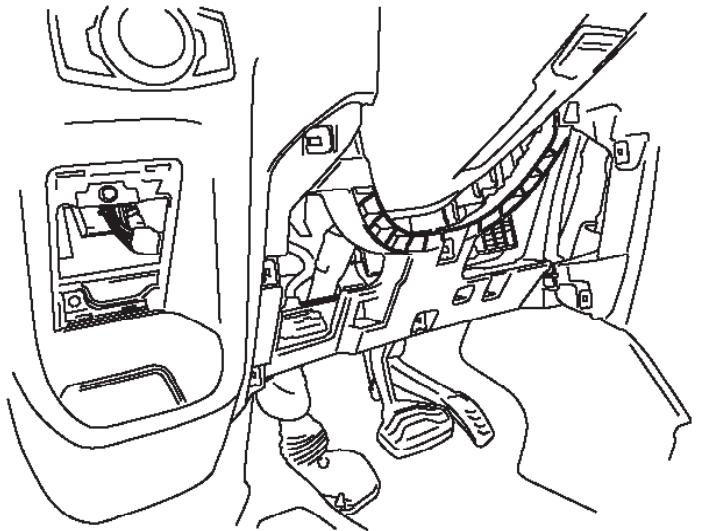
14

Route wire harness along the upper side of the floor/rocker structure towards to the rear light and linkage locations on the respective sides. Secure with zip ties (#20). Keep away from exhaust components.



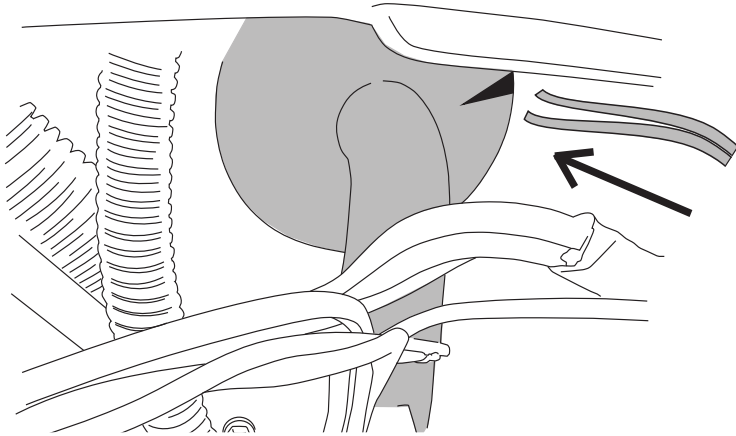
15

Remove the panel under the steering wheel by just pulling straight out.

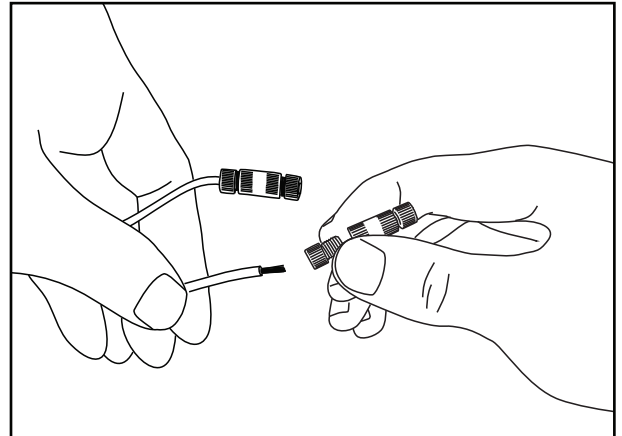


16

Locate large rubber boot on driver side firewall under the hood. Slice a small opening to run the trigger wires through. Find the trigger wires under the dashboard and strip the wires.



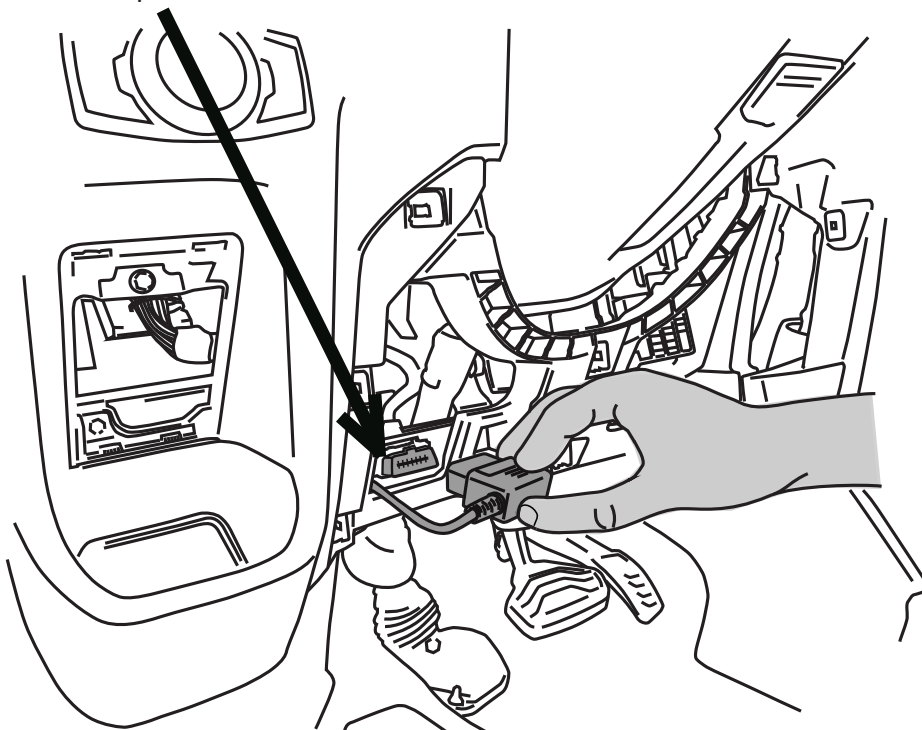
Use The Supplied Posi-Lock (#13) connectors on the wires coming out of the rubber boot. Connect the Purple and the Purple with Black stripe wires to their matching colored wires on the OBDII Module.



17

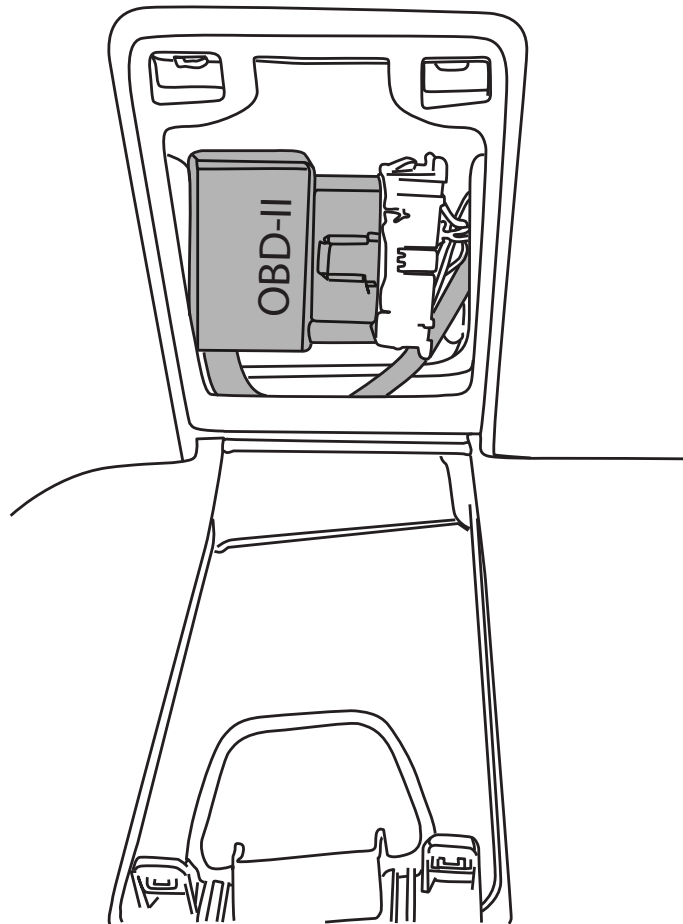
18

Once the trigger wires have been connected to the OBDII module, remove the OBDII port from the vehicle by depressing the two plastic tabs on the sides and push the port back out of the bracket. Now connect the OBDII module to the OBDII port.



19

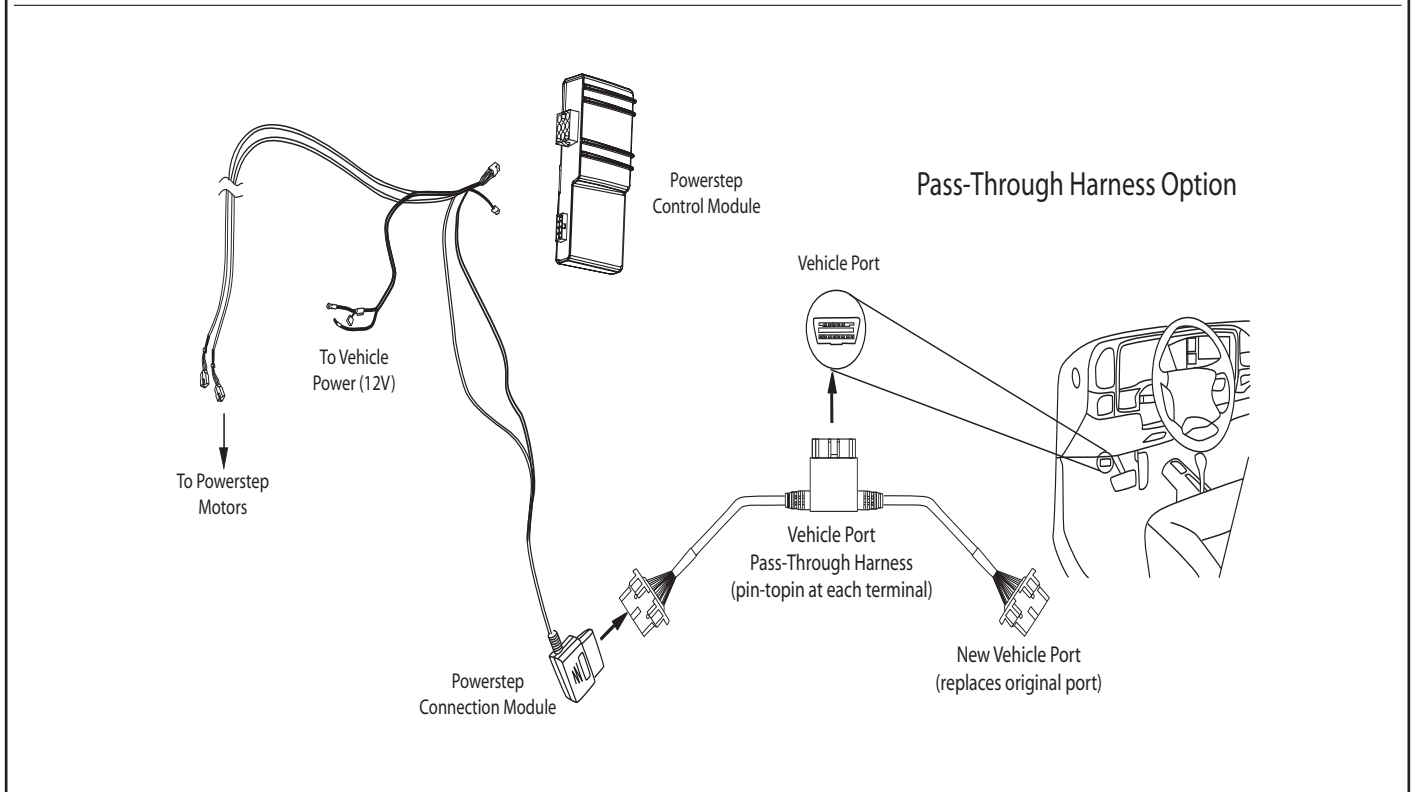
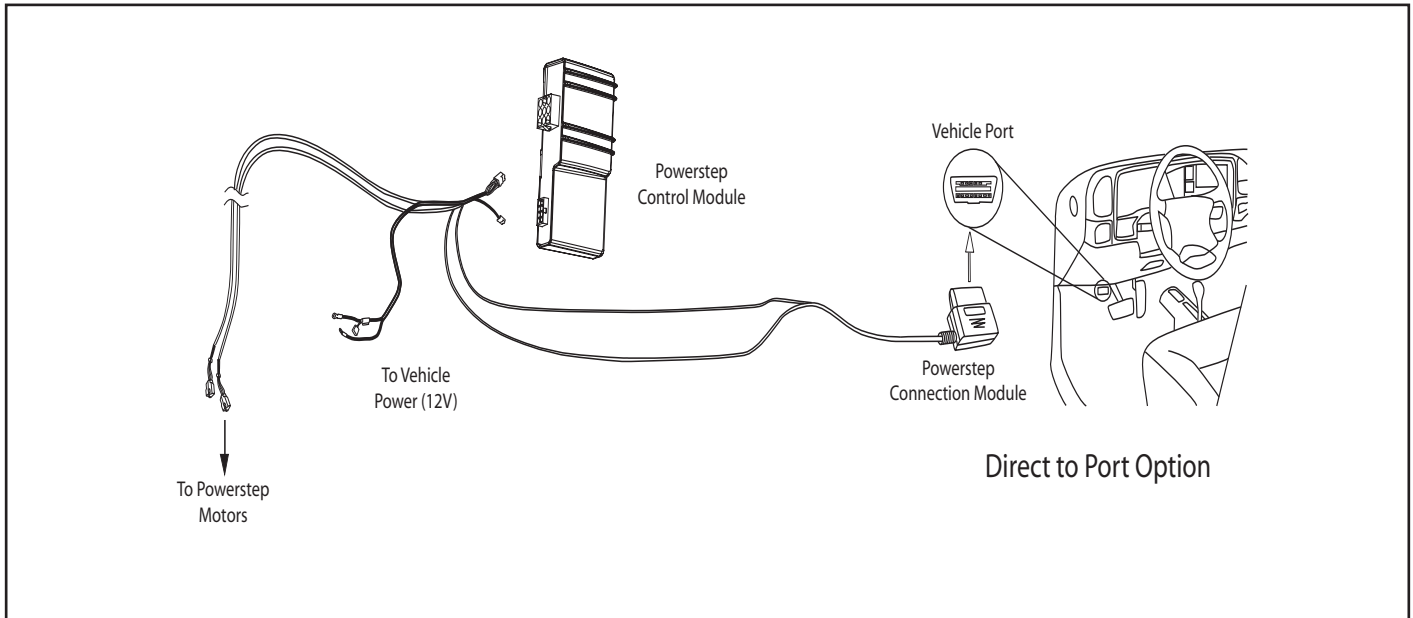
Assemble and reinstall the Module & Port sideways, as shown below. Secure with zipties (#11). Reinstall the panel under the steering wheel



The Clip-In Pass-Through Harness is available if it is desired to have an open OBDII port in the stock location.

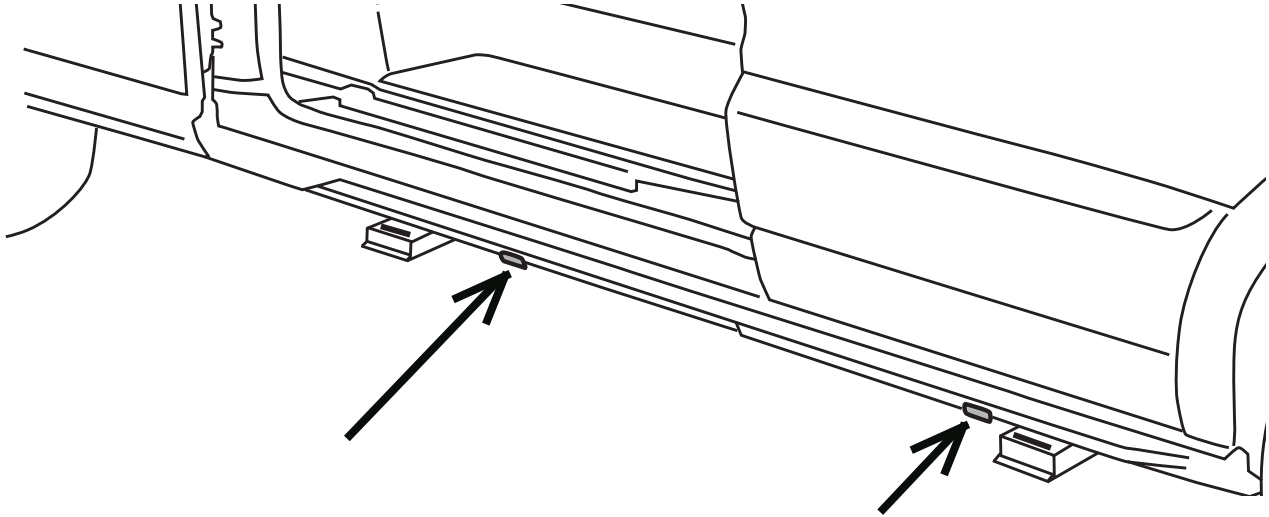


**OBD II install:** Use Supplied Posi Twist connectors to attach the Plug and Play Module to the Harness. Attach matching colors on the harness to the wires on the module. Plug in module to OBD II port on the vehicle. Secure harness with supplied tie wraps. **Note: If the OBD II pass thru harness (76405-01A) was purchased see install sheet supplied in packaging. The pass through harness allows for an open port for other accessories. See below for a brief description.**



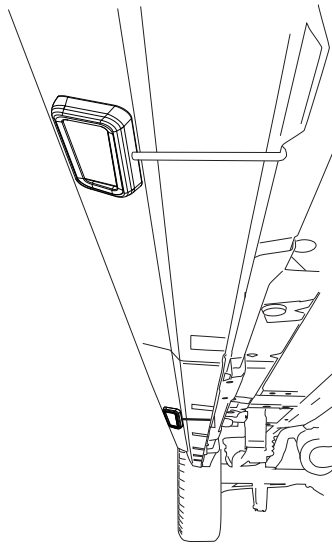
## AMP RESEARCH POWERSTEP™ – FORD

On the sides of the vehicle place the LED Lights (#14) at the center of each of the doors.

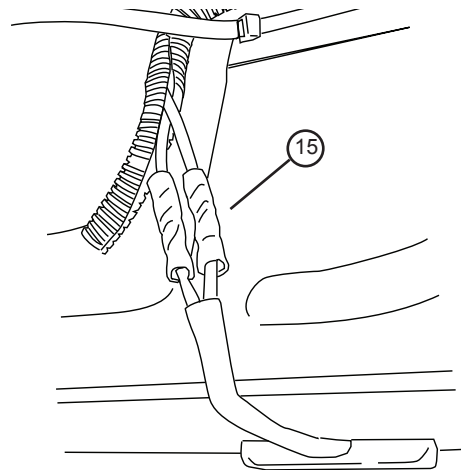


21

Affix lamps to rocker panel surface. Make sure the lamp is affixed to a clean, flat surface. The outside the rocker face is the ideal location affix the lamp just at its edge. If already equipped with a step, the rear door rocker will be different but the light shall be placed in the position shown in the previous step.

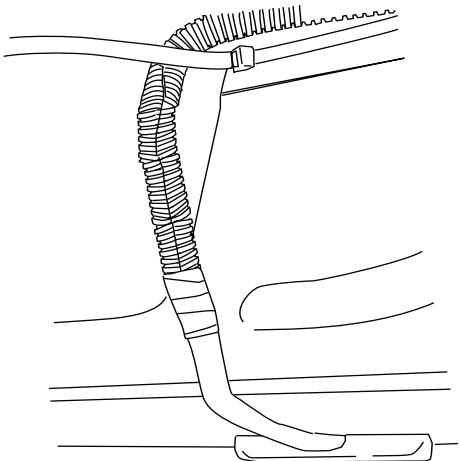


Using supplied butt connectors (#10), connect the lamp wires. Red to Red, Black to Black. Once Crimped use a heat gun to shrink tube.



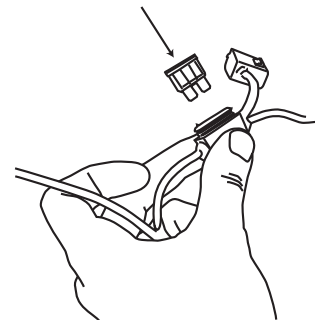
23

Close and wrap with conduit and electrical tape. Secure all loose wires with cable ties, with lamp wires pulled upward to avoid any wire snagging.



24

Reinstall fuse.



25

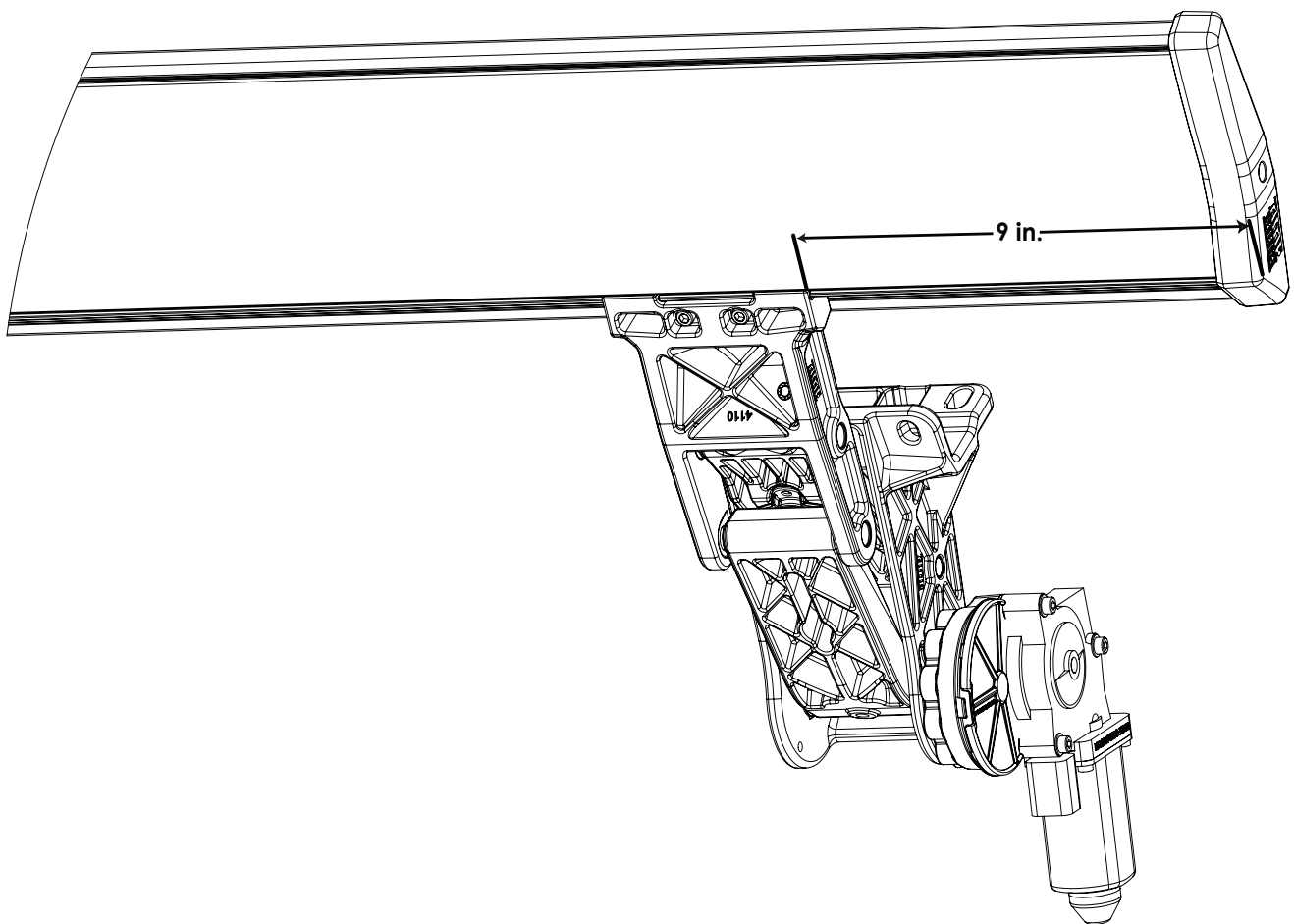
## Installing Step Extrusion

First, open a door on the side of the vehicle you are working on. This will extend and sync both linkages, **keep door open while attaching the Step Extrusion.**

Slide the front mounting T-nut into position, place the Step Extrusion 9 inches from the Linkage front edge. Finger tighten only. Align the rear T-nut and bolt it to the rear linkage. Then tighten all 4 fasteners. Finger tighten only. Align the rear T-nut and bolt it to the rear linkage. Then tighten all 4 fasteners. Close the door and confirm step functions correctly.

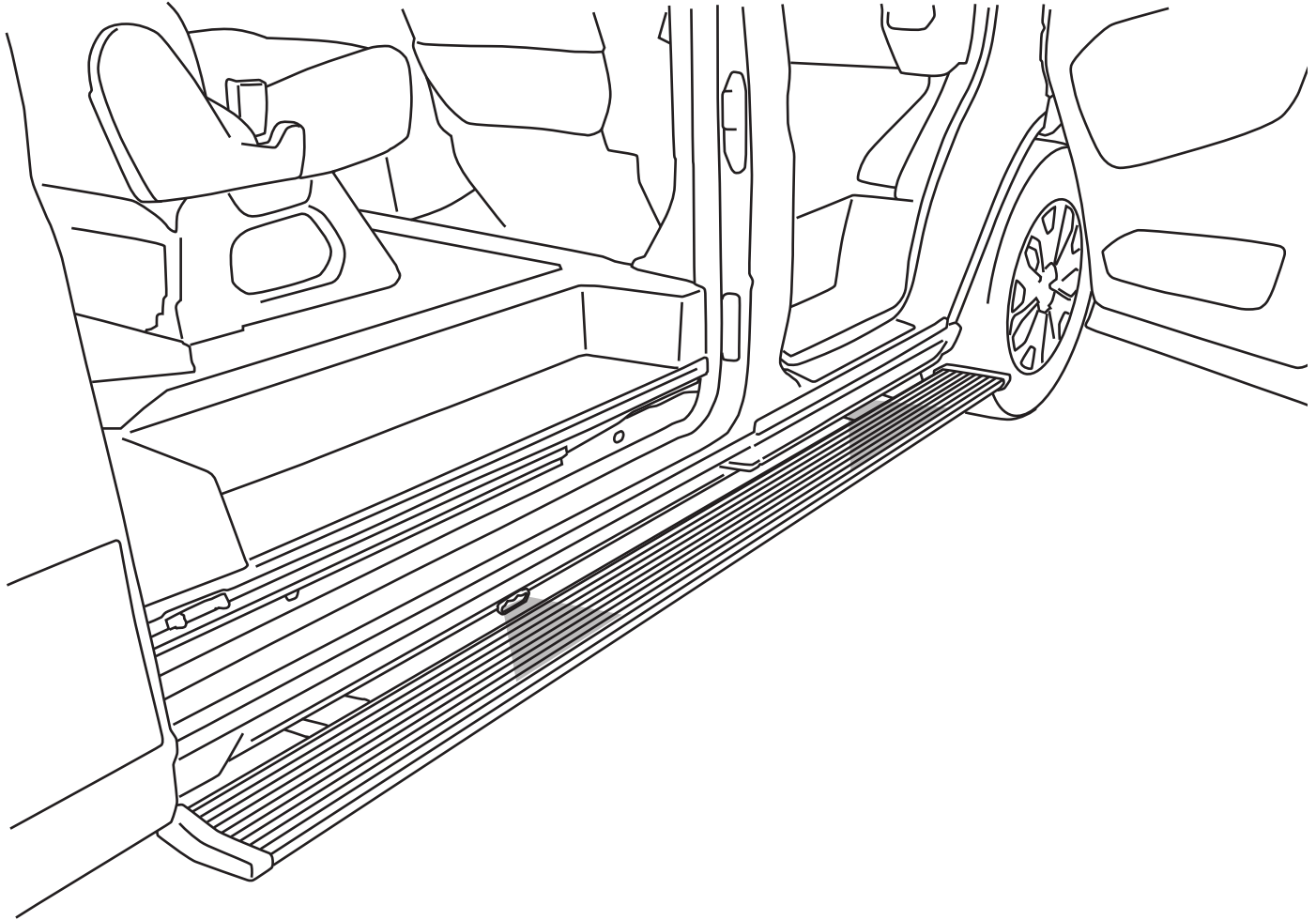
Repeat on the opposite side of the vehicle, remember to keep a **door open on the side you are working on.**

**Torque to 10 ft.lbs.**



## Check for Power

Check that all doors activate the Power Step and the LED Lights work when doors open and close. Reinstall any remaining trim panels.



### FINAL SYSTEM CHECK

Check that all doors activate the PowerStep and the LED lights work when doors open and close.

**NORMAL OPERATION:** When the doors open, PowerStep automatically deploys from under the vehicle. When the doors are closed, PowerStep will automatically return to the stowed/retracted position. ***Note that there is a 2-second delay before the PowerStep returns to the stowed/retracted position.***

**CORRECT OPERATION OF LIGHTS:** All four lamps will illuminate upon opening any door of vehicle. Lamps will stay on until restowing of both Power Steps or until 5 minutes has expired with the doors open. When the lights timeout after 5 minutes, they can be reilluminated by closing and opening any door of vehicle.