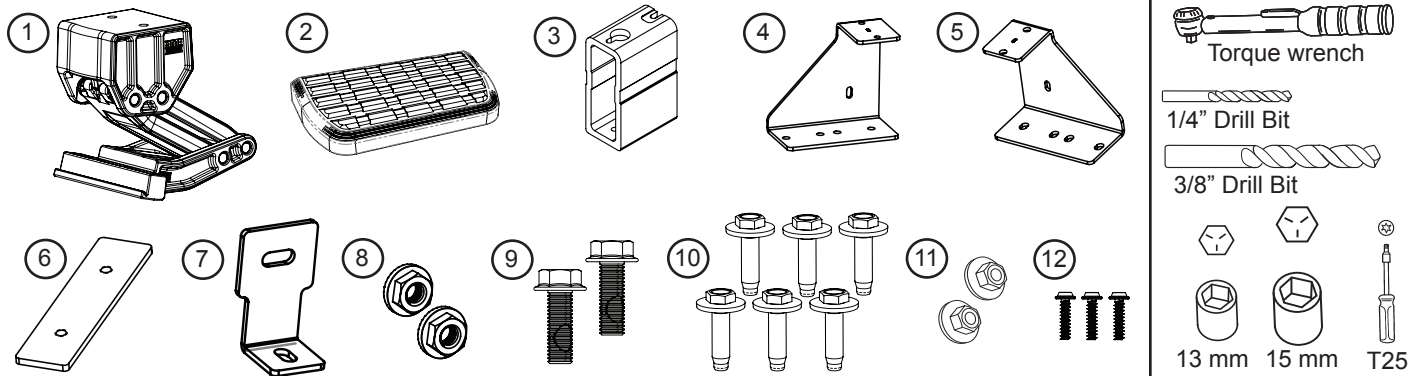


AMP RESEARCH BedStep2™

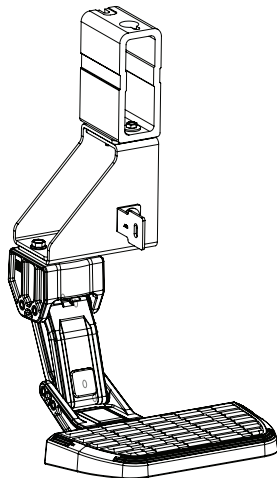
APPLICATION
Dodge Ram DT
2500 / 3500

AMP PART # 75417-01A

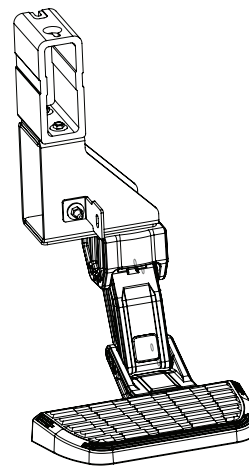
2019



For 6.5' bed length components must be configured for Passenger or Drivers-Side as shown.

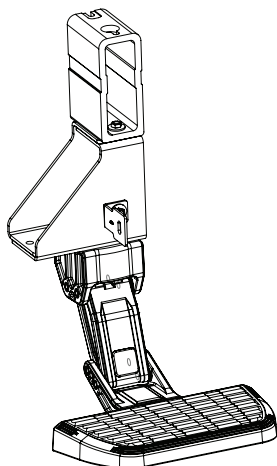


Driver-Side Orientation

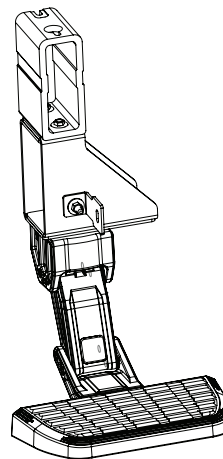


Passenger-Side Orientation

For 8' bed length components must be configured for Passenger or Drivers-Side as shown.



Driver-Side Orientation

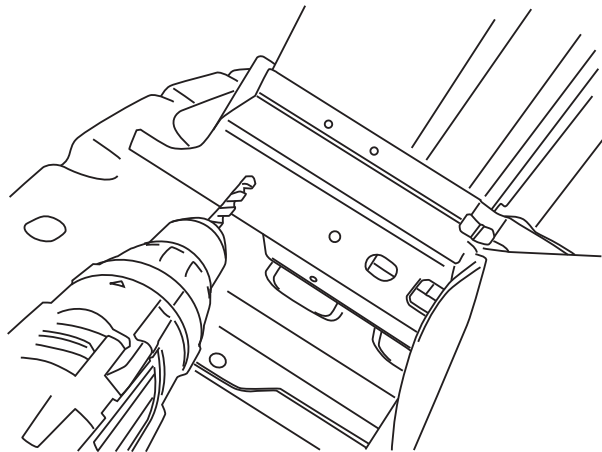


Passenger-Side Orientation

1

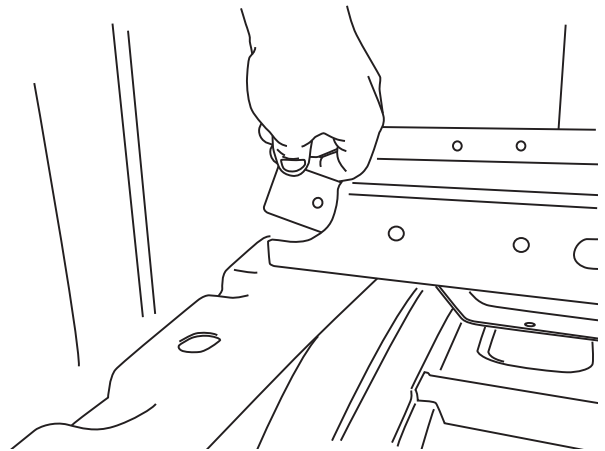
BedStep2™ is invented, designed, engineered and manufactured exclusively by AMP Research and may be covered by one of the following patents: 6,641,158; 6,830,257; 6,938,909; 7,055,839; 7,380,807; 7,398,985; 7,584,975. Made in USA © 2011 AMP Research
Professional installation is recommended.

Use supplied drill template (See page 5) and mark holes in front bed channel mount. Pre drill holes using 1/4" drill bit. Next drill hole to 3/8".



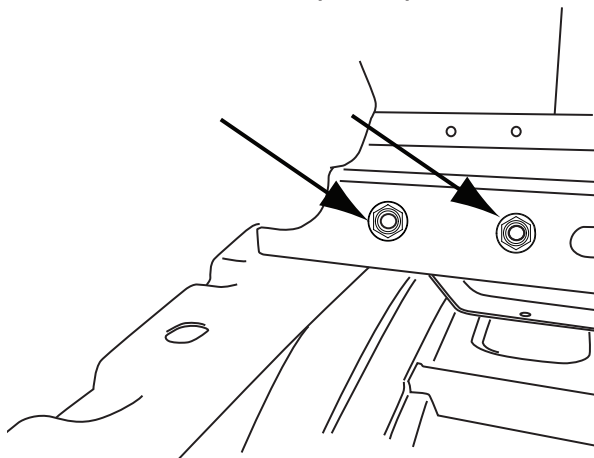
2

Slide threaded plate into bed channel and line up threaded locations to pre drilled holes.



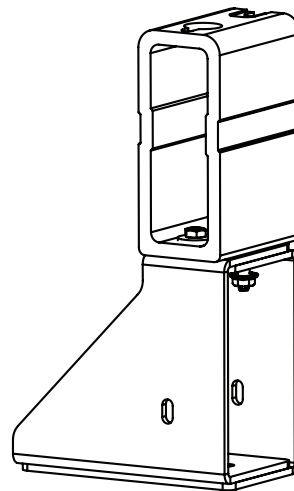
3

Thread screws into threaded plate. Allow room for frame mount to slide up into position.



4

Using a 13mm Socket assemble the frame mount. Torque bolts to 16 ft-lbs.

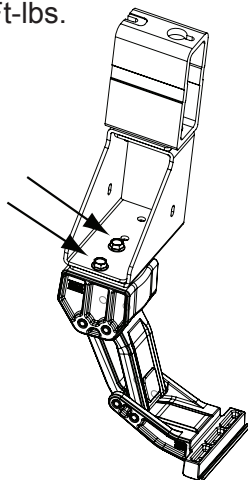


NOTE: DRIVER SIDE SHOWN. MIRROR FOR PASSENGER SIDE.



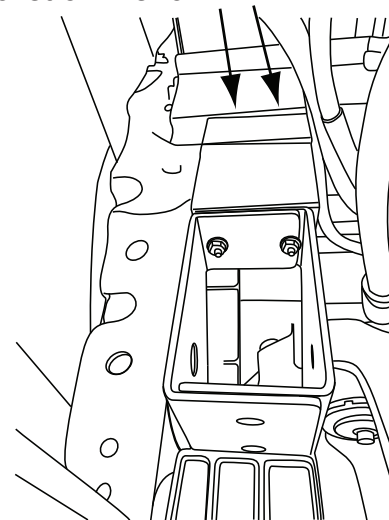
5

Set linkage into position as shown. **Note: Driver side short bed shown. See positions in step 1 for other configurations.** Torque bolts to 20 Ft-lbs.



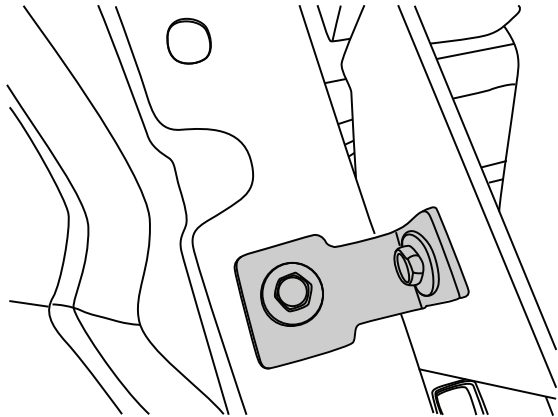
6

Set assembly into position, Snug bolts using a 13mm socket or wrench.



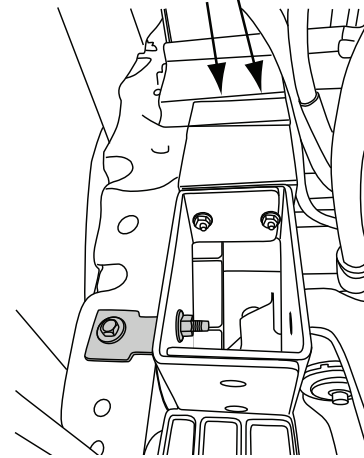
7

Set bracket into place as shown. Use supplied bolts(10) and nuts(11) to attach bracket to fender panel and bracket assembly. Hand tighten bolts.



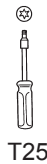
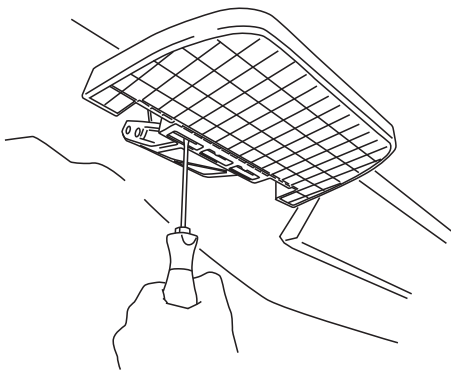
8

Using a 13mm Socket with extension. Torque to 16 Ft-lbs. Next torque bolts from step 8 to 16 Ft-lbs.



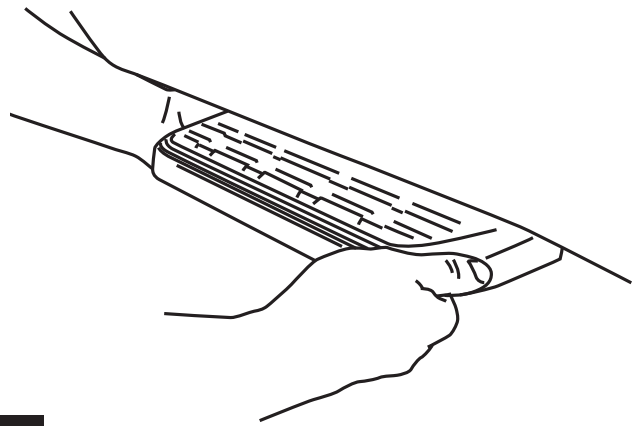
9

Locate the step pad in the following positions
Driver side short bed offset step pad rearward (as shown)
Passenger side short bed offset step pad rearward
Driver/Passenger side Long Bed Center step pad on lower mount.



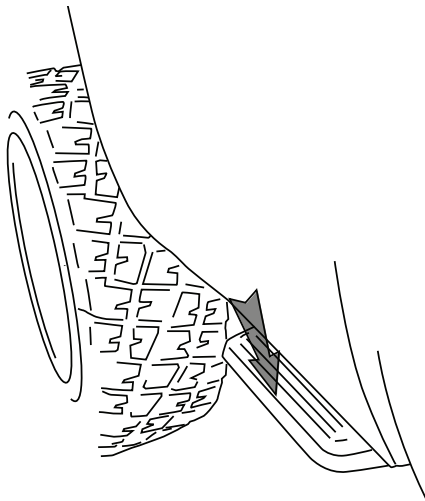
T25

Verify step pad alignment to body line of vehicle.



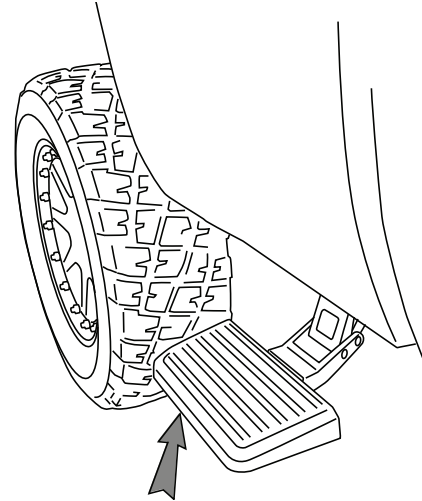
11

To deploy the step, press down using your foot on the outside edge of the step pad.



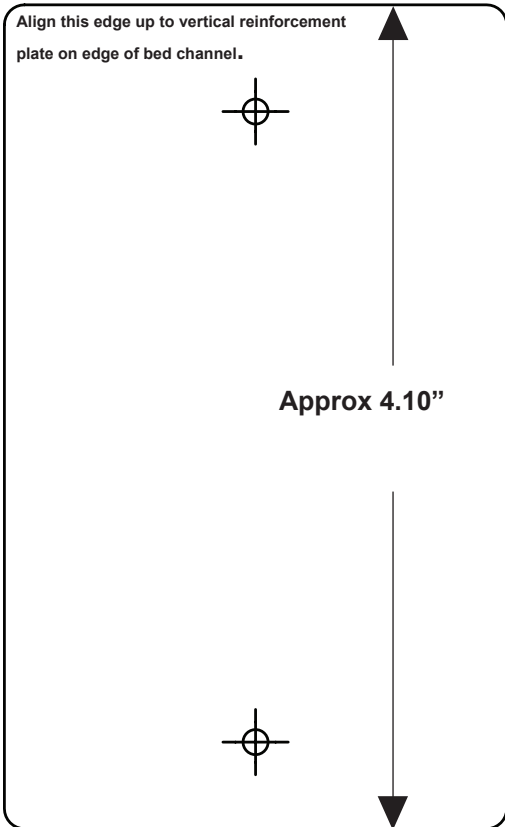
12

To retract, gently kick up on the underside of the step pad.

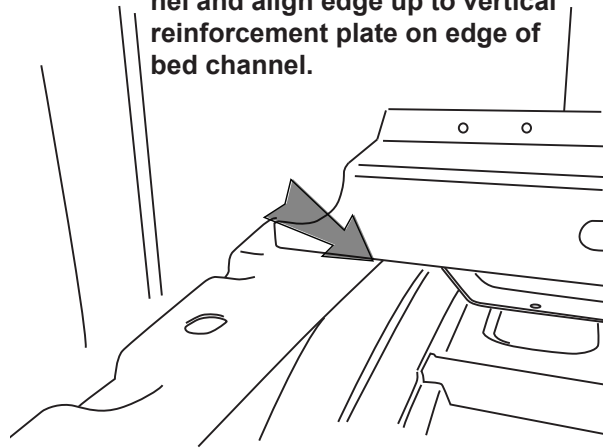


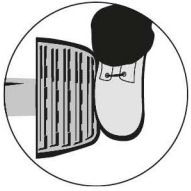
13

Template for Step 2 on page 2.



Center Template on bed channel and align edge up to vertical reinforcement plate on edge of bed channel.



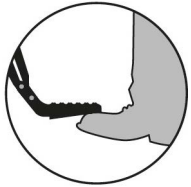


BEDSTEP2™ OPERATION

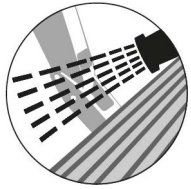
The AMP Research BedStep2™ is foot operated and deploys and retracts with a nudge of your foot. To deploy, press down using your foot, on the outside edge of the step pad.

Maximum load capacity of the deployed step pad is 300 lbs.

Always use appropriate hand holds when stepping up to or down from your truck's cargo bed.



To retract, gently kick up on the underside of the step pad.



MAINTENANCE TIPS - The stepping surface and linkage should be periodically washed with mild soap and water using a soft brush or sponge to dislodge any mud, dirt or accumulated road grime.

In severe driving conditions, pressure washing the linkage is strongly recommended.

Do not apply silicone spray, waxes or protectants like Armor All® to the stepping surfaces.