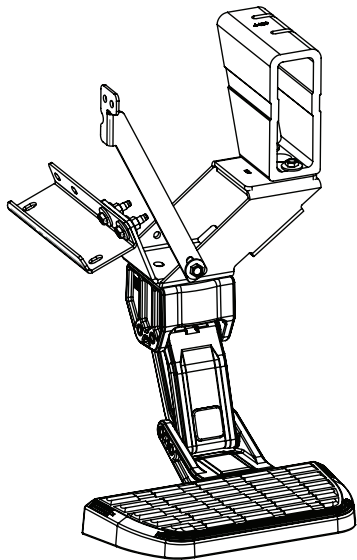
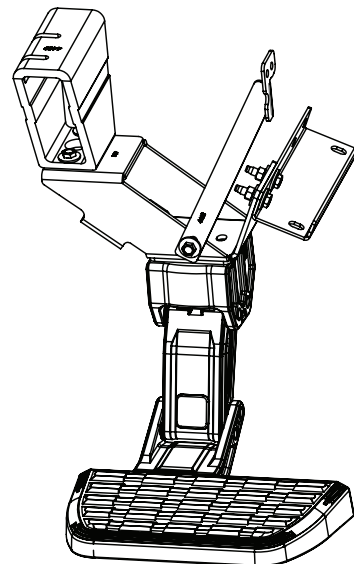


Components must be configured for Passenger or Drivers-Side as shown.

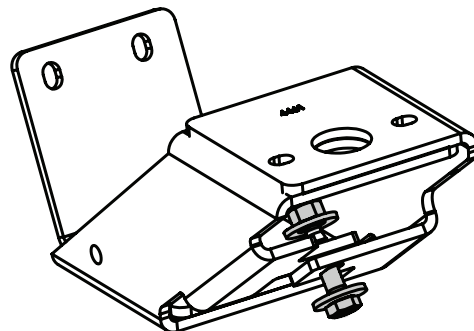


Driver-Side Orientation



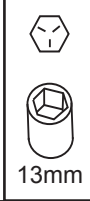
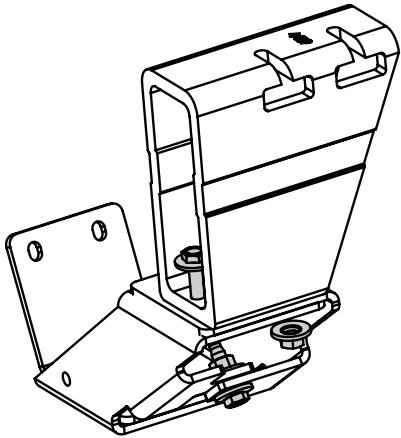
Passenger-Side Orientation

Using a 13mm Socket and wrench assemble the the lateral mounting bracket. Use bolts (#12) and nuts (#13). Note orientation of bracket. Torque bolts to 16 ft-lbs.



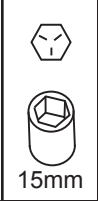
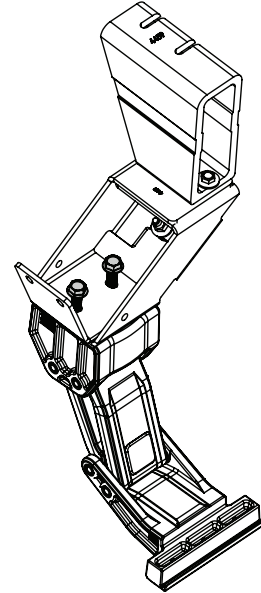
1

Using a 13mm Socket and wrench assemble the frame mount to the lateral mounting brackets. Use bolts (#10) and nuts (#13). Note orientation of brackets. Torque bolts to 16 ft-lbs.



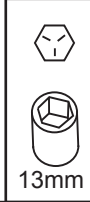
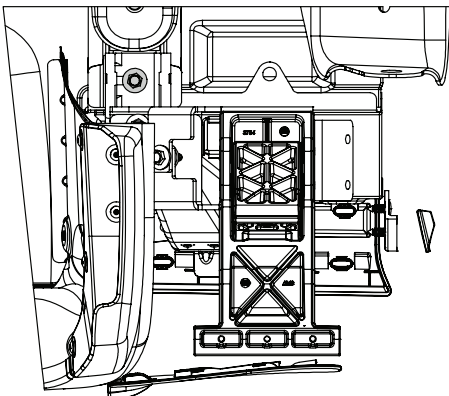
2

Assemble Linkage to bracket assembly using a 15mm Socket or wrench. Use supplied flange Bolts (#9). Torque Bolts to 20ft-lbs.



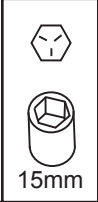
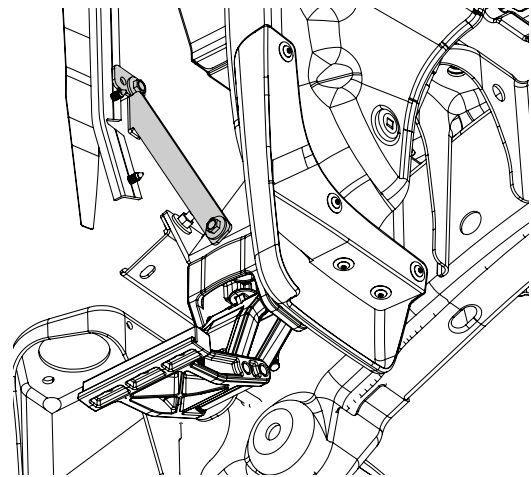
3

Remove factory bolt in bed channel using 13mm socket or wrench. Use supplied M8 bolt (#10) and thread in approx. half way. Slide linkage assembly into place. Snug bolt up and allow linkage assembly to rotate side to side.



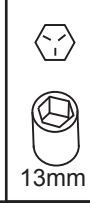
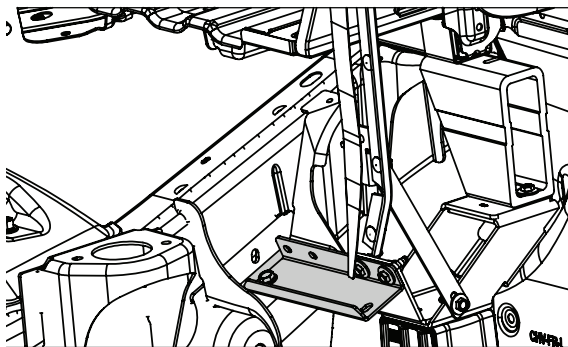
4

Using supplied M8 hardware Bolts (#12) Nuts (#13) mount support bracket to inner bed panel and lateral bracket as shown.



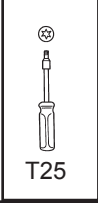
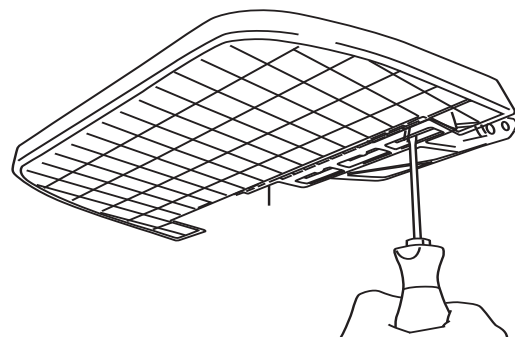
5

Using supplied M8 hardware Bolts(#12) Nuts (#13) and M10 bolt (#9) and nut (#8) mount frame support bracket to lateral bracket as shown.



6

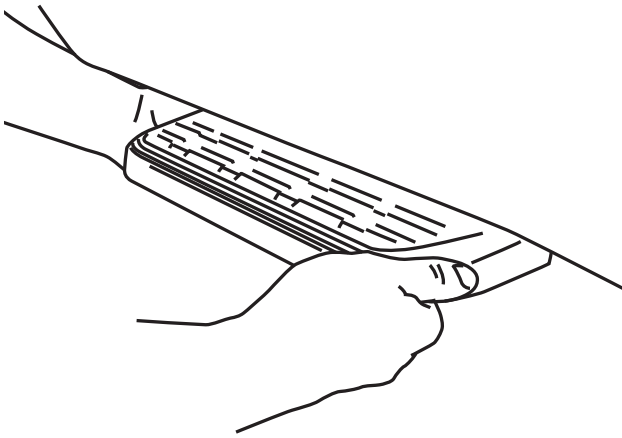
Offset step pad forward and secure using provided PT Screws. Tighten to 5ft-lbs using a T25 Torx bit. Verify Step pad alignment to body line of vehicle. Once step pad is in line to vehicle torque all bracket hardware to 16ft-lbs.



7

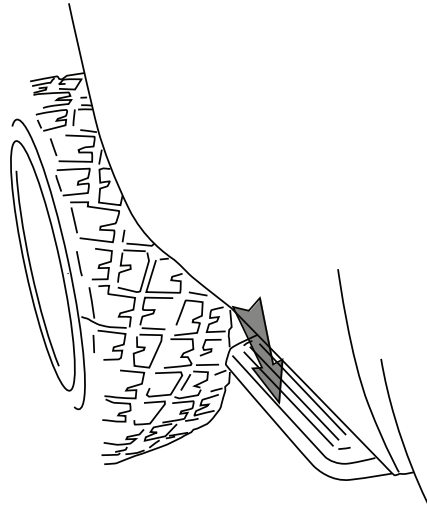
T25

Verify step pad alignment to body line of vehicle.



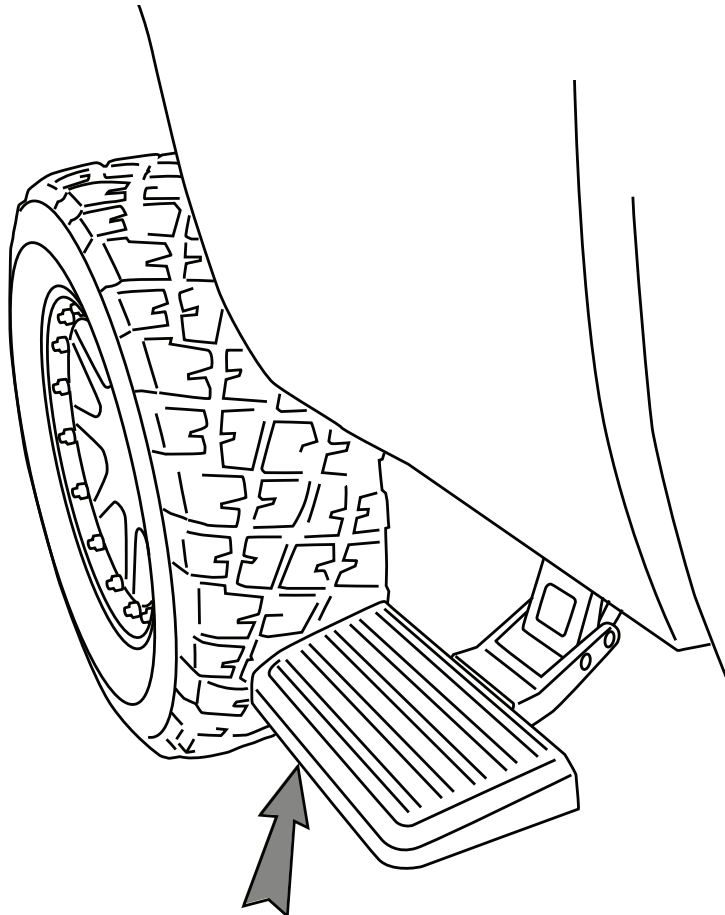
8

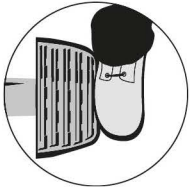
To deploy the step, press down using your foot on the outside edge of the step pad.



9

To retract, gently kick up on the underside of the step pad.



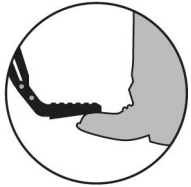


BEDSTEP2™ OPERATION

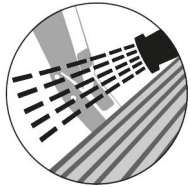
The AMP Research BedStep2™ is foot operated and deploys and retracts with a nudge of your foot. To deploy, press down using your foot, on the outside edge of the step pad.

Maximum load capacity of the deployed step pad is 300 lbs.

Always use appropriate hand holds when stepping up to or down from your truck's cargo bed.



To retract, gently kick up on the underside of the step pad.



MAINTENANCE TIPS - The stepping surface and linkage should be periodically washed with mild soap and water using a soft brush or sponge to dislodge any mud, dirt or accumulated road grime.

In severe driving conditions, pressure washing the linkage is strongly recommended.

Do not apply silicone spray, waxes or protectants like Armor All® to the stepping surfaces.