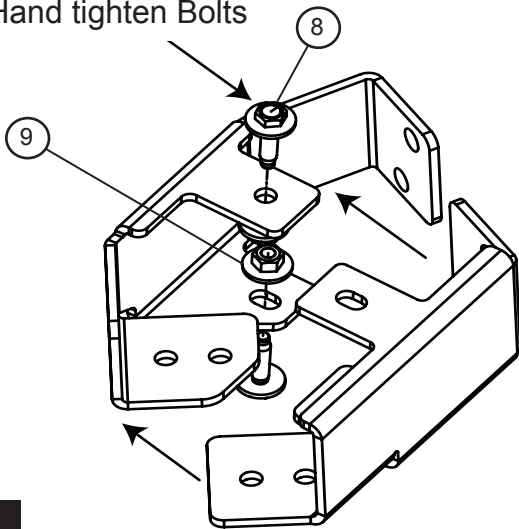
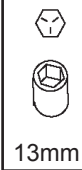


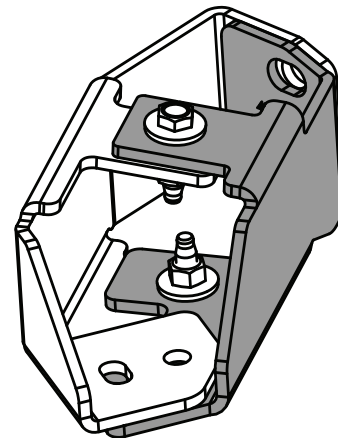
Hand tighten Bolts



1

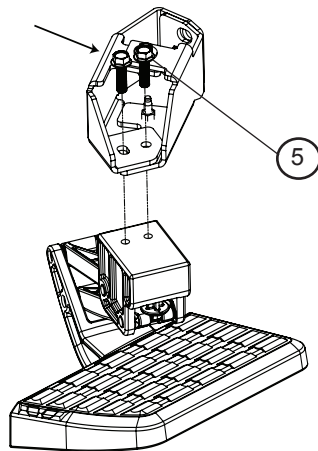


Assembly needs to be configured as shown below:

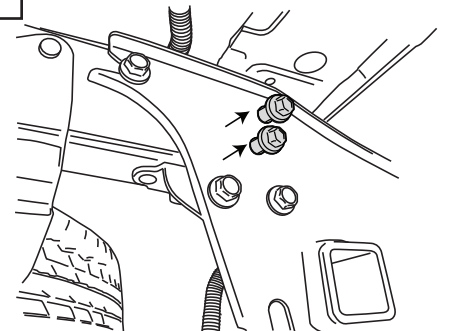
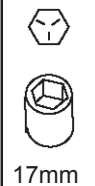
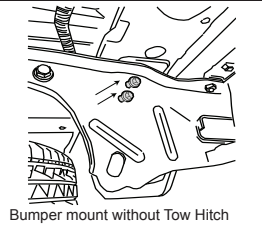
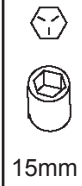


2

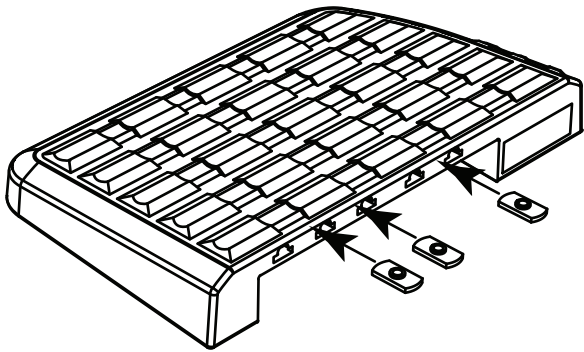
Hand tighten Bolts



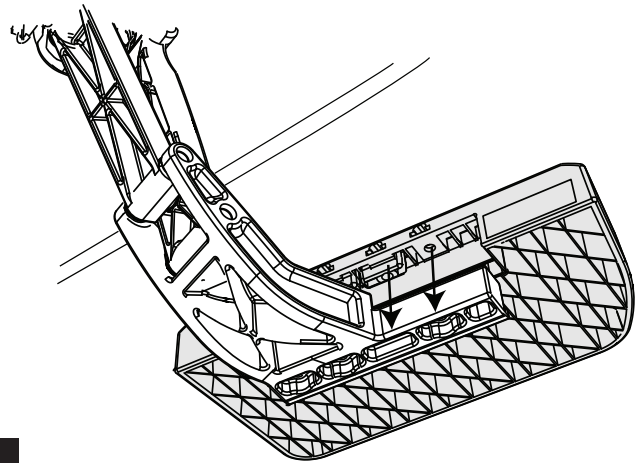
3



4

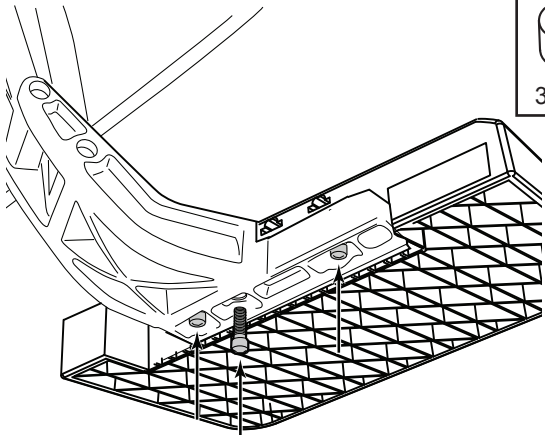


5



6

6 ft-lbs / 8 Nm.



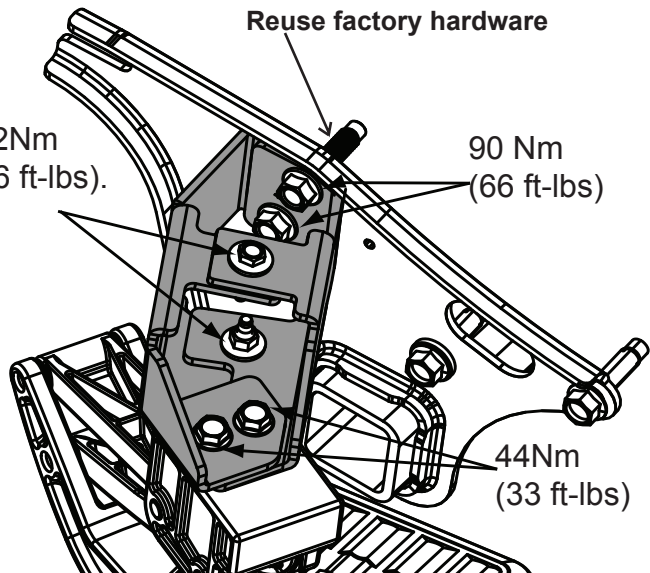
7

NOTE: Overtightening may damage step pad



3/16"

22Nm
(16 ft-lbs).



Reuse factory hardware

90 Nm
(66 ft-lbs)

44Nm
(33 ft-lbs)

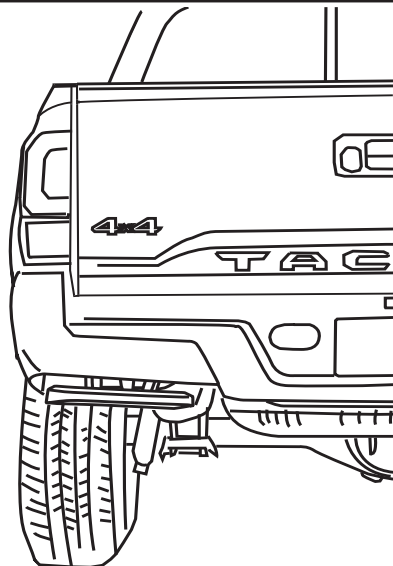


17mm

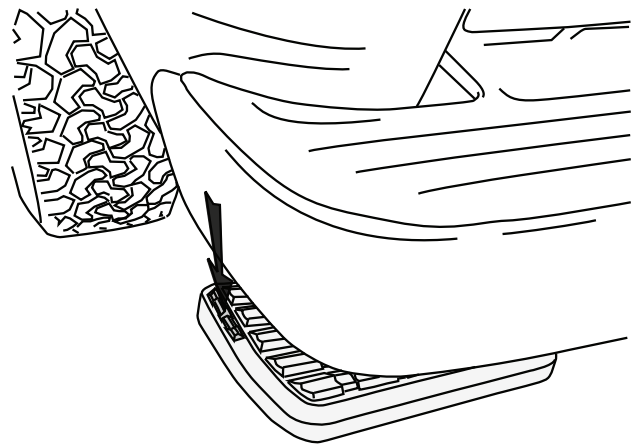
15mm

13mm

8



9



10

Congratulations on the purchase of your AMP RESEARCH BedStep®



Here's what you should know...

OPERATION

- The AMP Research BedStep® is foot operated and deploys and retracts with a nudge of your foot.
- To deploy, press down using your left foot, on the forward outside corner of the step pad.
- To retract, gently kick the underside of the step pad.
- Max Load Capacity: 300lbs.

- Always use appropriate hand holds when stepping up to or down from your truck's cargo bed.

MAINTENANCE TIPS

The step pad surface and linkage arms can be washed with mild soap and water using a soft brush or sponge to dislodge any mud, dirt or accumulated road grime. Rinse with fresh water.

To prevent slipping, avoid applying waxes, lubricants or protectants like Armor All® to the step surface.

ATTENTION!

BEDSTEP SHOULD ALWAYS BE STOWED IN THE RETRACTED POSITION WHEN DRIVING.