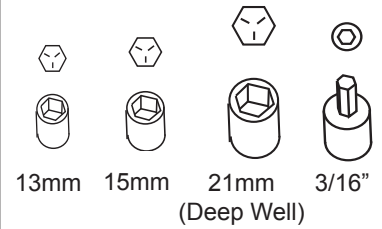
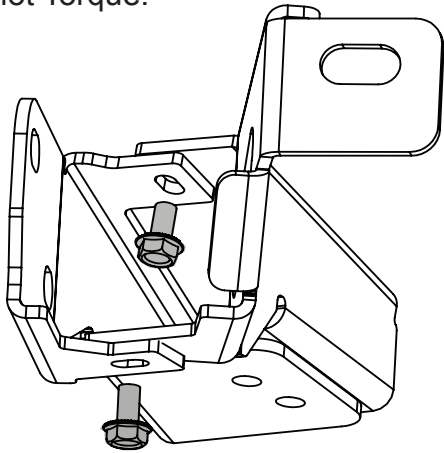


Torque wrench

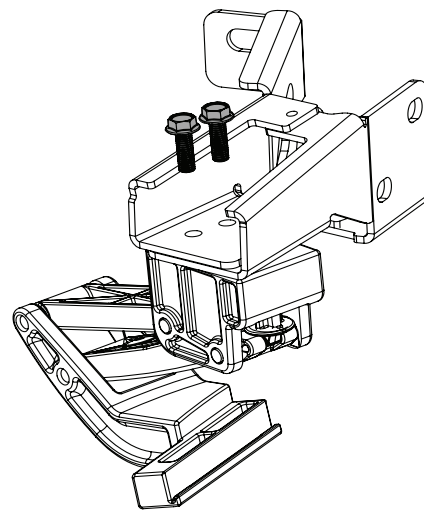


Assemble bracket as shown below...  
Do not Torque!



13mm

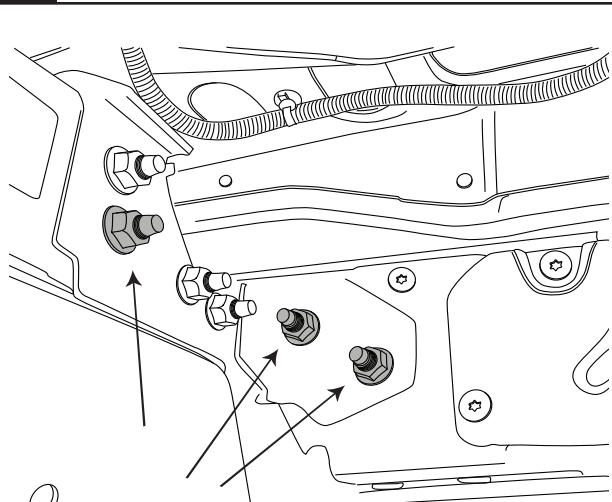
**1**



15mm

**2**

Torque Bolts to 33ft-lbs /44Nm.

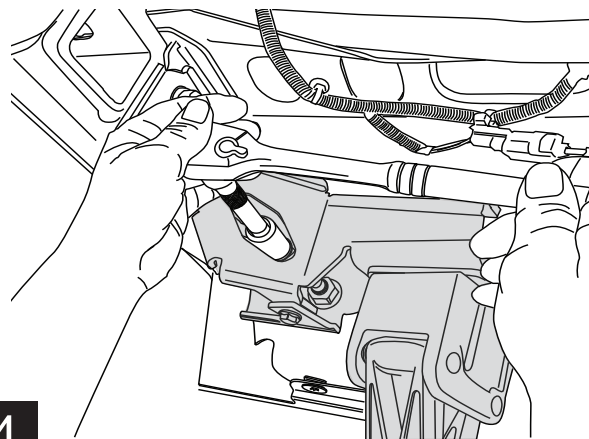


21mm

**3**

Remove Nuts shown above

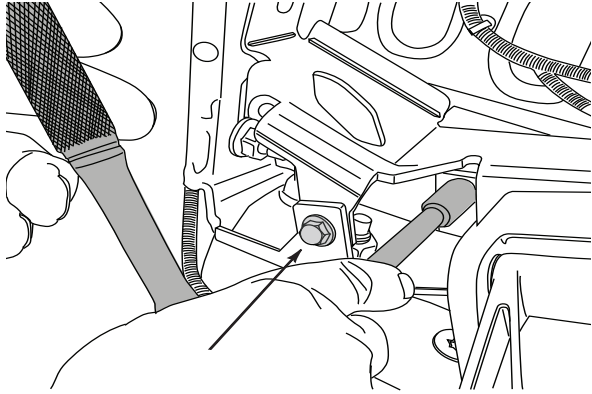
Set Bracket assembly into position and tighten. Do not Torque!



21mm

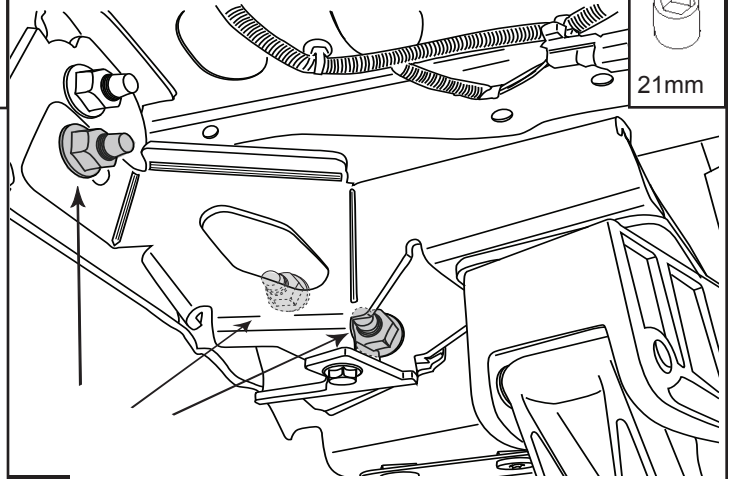
**4**

Torque Bolts to 16ft-lbs / 22Nm.



13mm

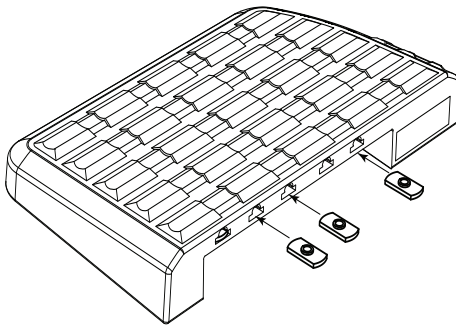
Torque Bolts to 80ft-lbs / 108Nm.



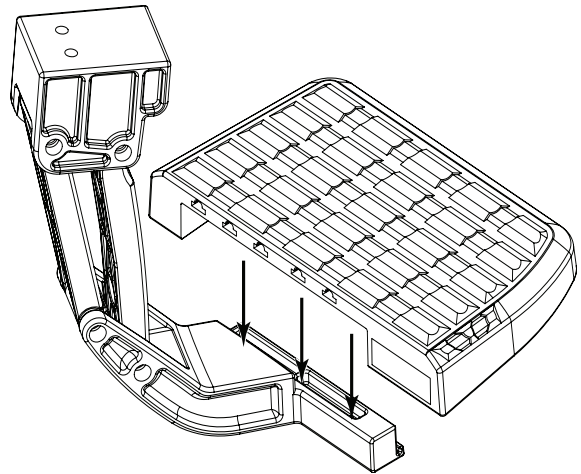
21mm

5

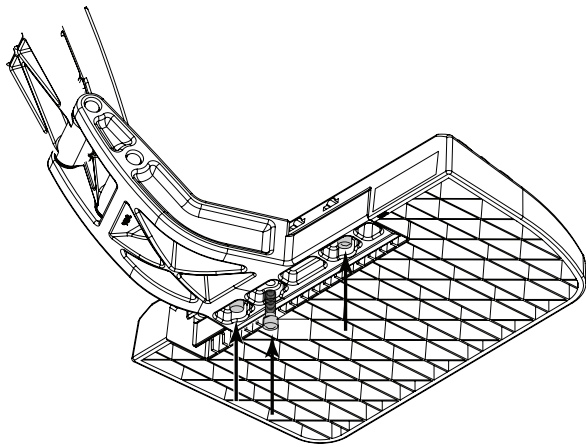
6



7

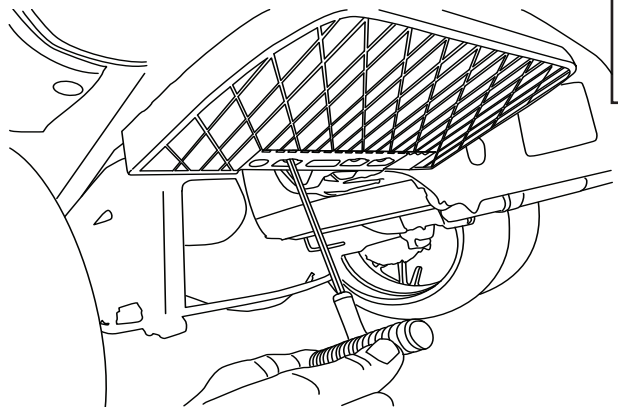


8



9

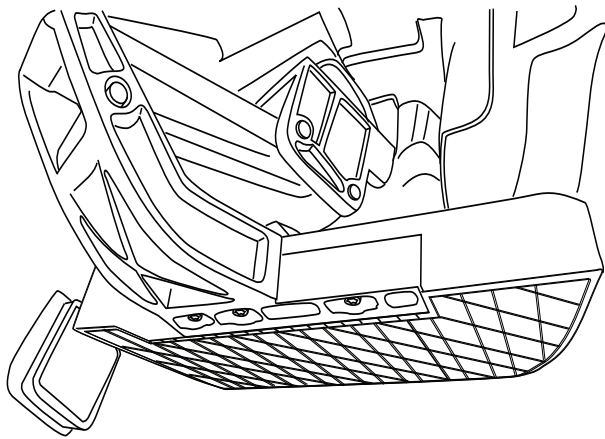
Torque to 6 ft-lbs / 8 Nm



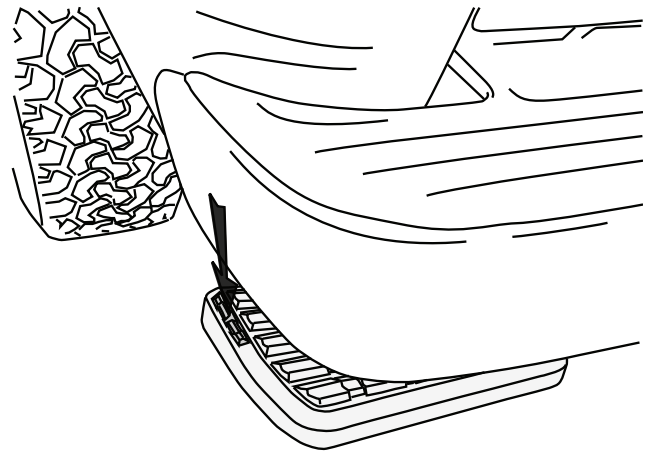
3/16"

10

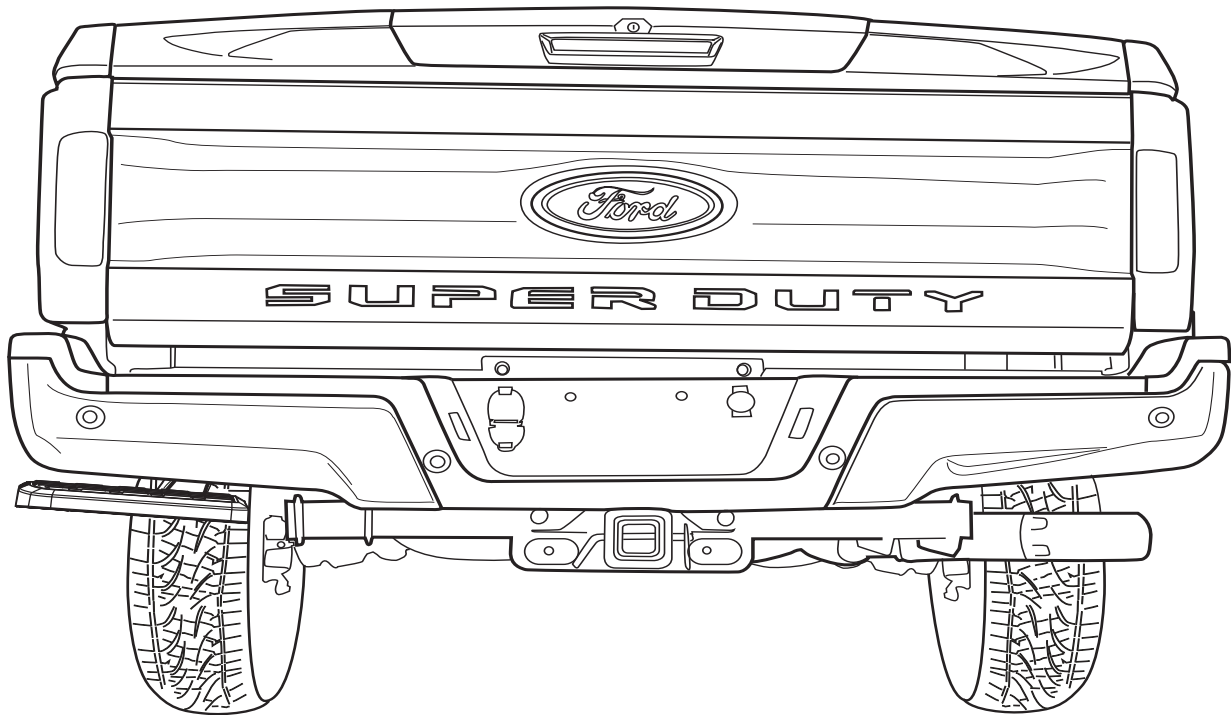
**NOTE: Overtightening may damage step pad**



11



12



13