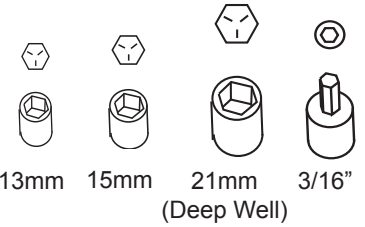
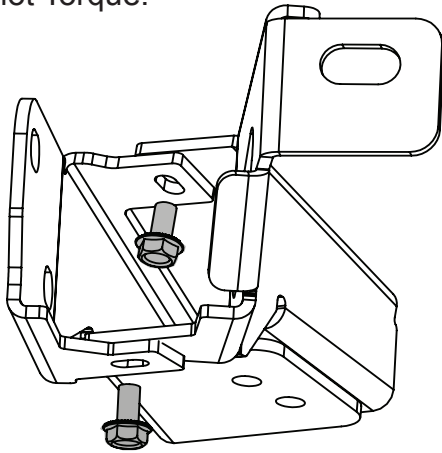


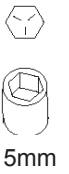
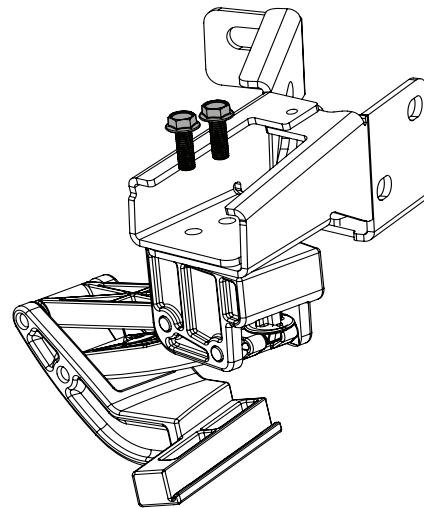
Torque wrench



Assemble bracket as shown below...
Do not Torque!



13mm

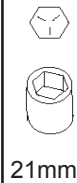
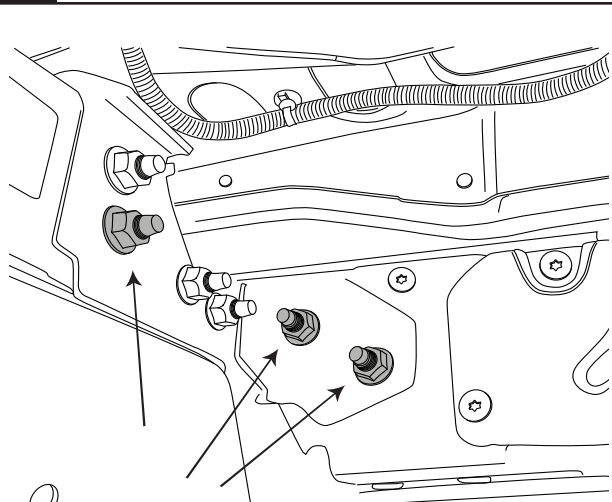


15mm

1

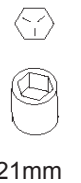
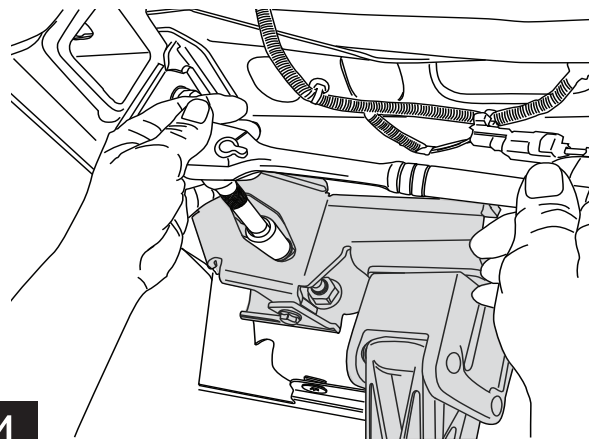
2

Torque Bolts to 33ft-lbs /44Nm.



21mm

Set Bracket assembly into position and tighten. Do not Torque!



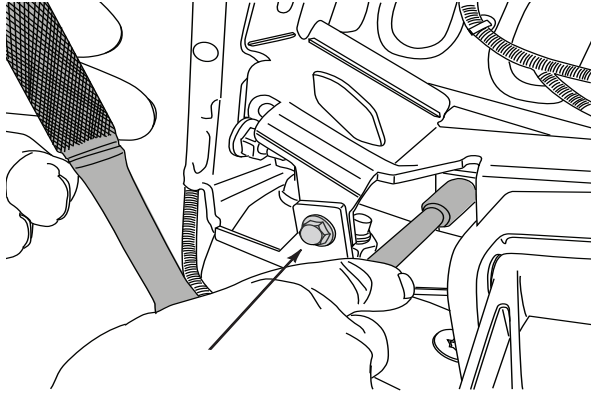
21mm

3

Remove Nuts shown above

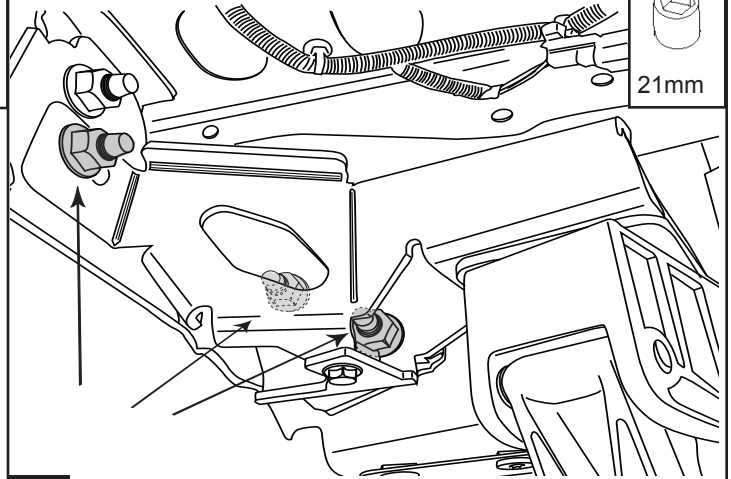
4

Torque Bolts to 16ft-lbs / 22Nm.



13mm

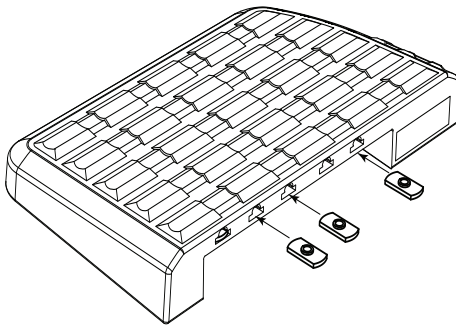
Torque Bolts to 80ft-lbs / 108Nm.



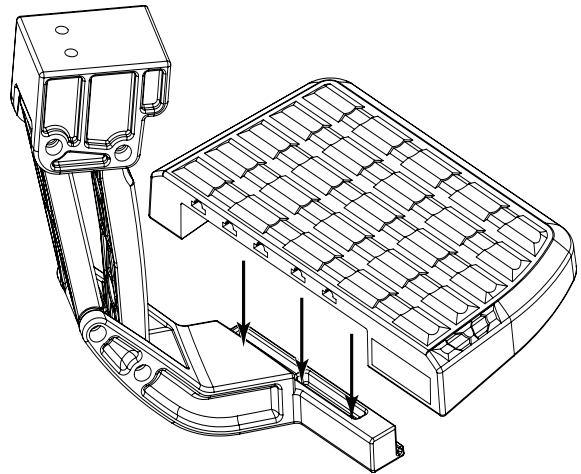
21mm

5

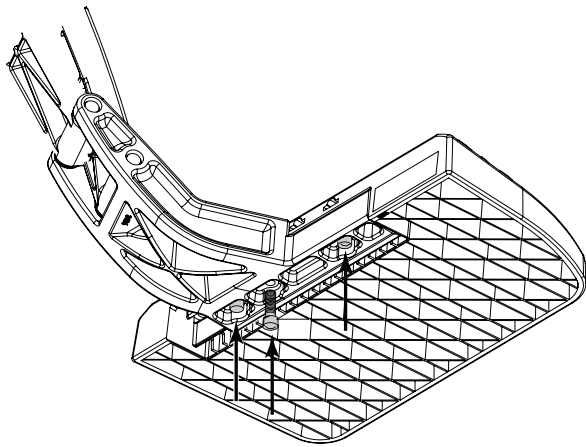
6



7

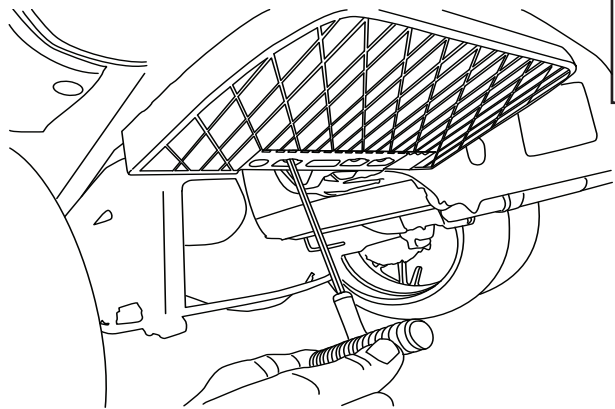


8



9

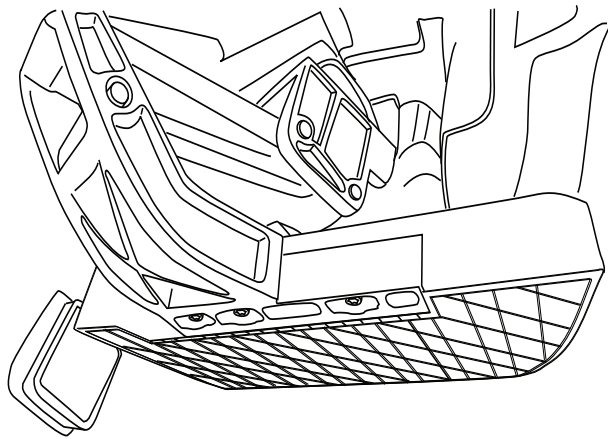
Torque to 6 ft-lbs / 8 Nm



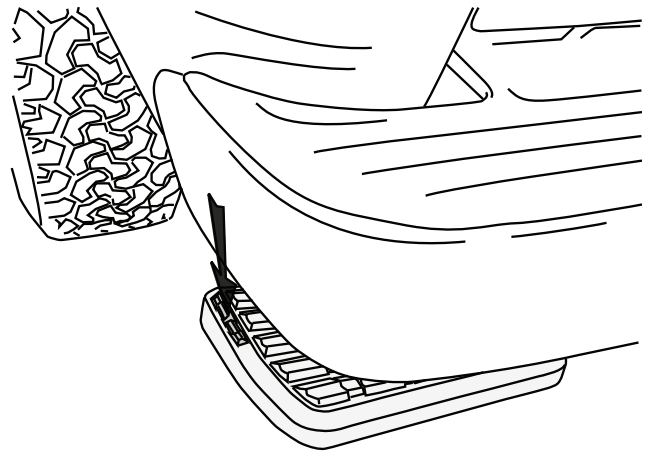
3/16"

10

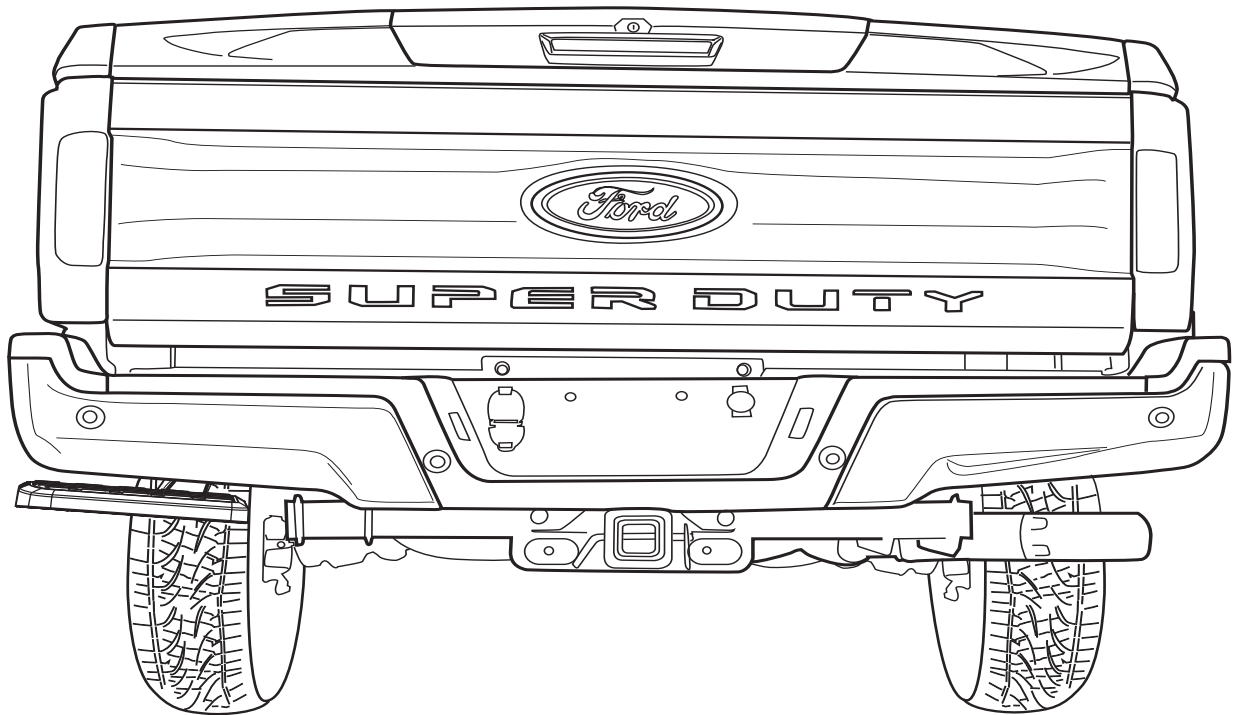
NOTE: Overtightening may damage step pad



11



12



13

Congratulations on the purchase of your AMP RESEARCH BedStep®



Here's what you should know...

OPERATION

- The AMP Research BedStep® is foot operated and deploys and retracts with a nudge of your foot.
- To deploy, press down using your left foot, on the forward outside corner of the step pad.
- To retract, gently kick the underside of the step pad.
- Max Load Capacity: 300lbs.

- Always use appropriate hand holds when stepping up to or down from your truck's cargo bed.

MAINTENANCE TIPS

The step pad surface and linkage arms can be washed with mild soap and water using a soft brush or sponge to dislodge any mud, dirt or accumulated road grime. Rinse with fresh water.

To prevent slipping, avoid applying waxes, lubricants or protectants like Armor All® to the step surface.

ATTENTION!

BEDSTEP SHOULD ALWAYS BE STOWED IN THE RETRACTED POSITION WHEN DRIVING.