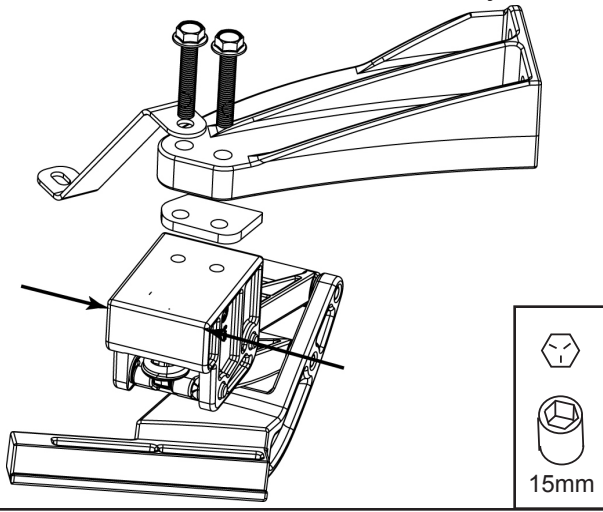
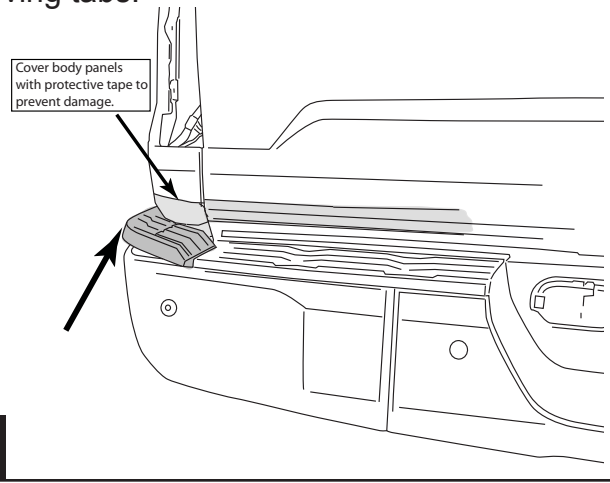


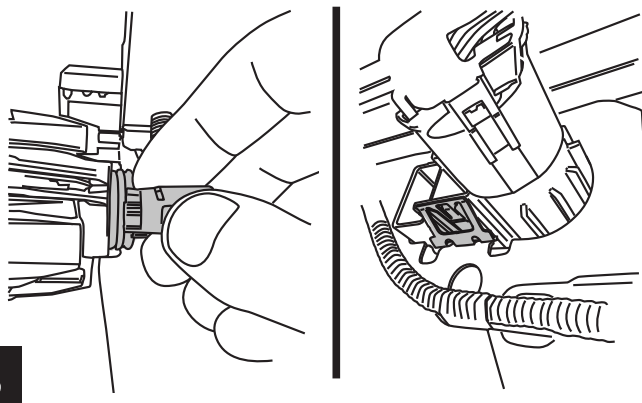
Secure linkage in vice and tighten bolts. Do not Torque. Allow steel bracket to rotate freely.



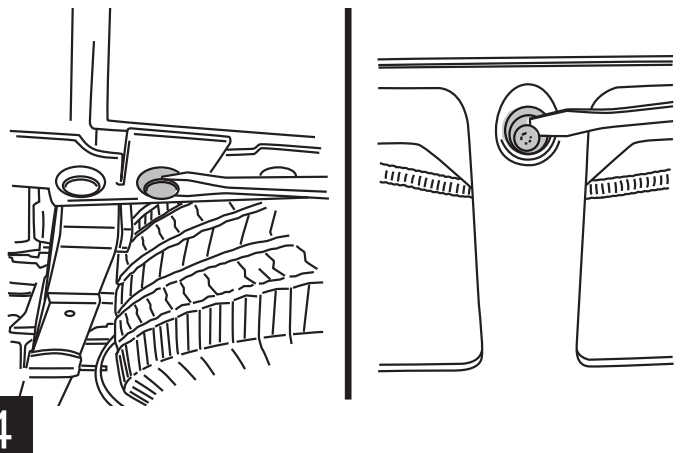
Remove corner bumper cap and use flat blade screwdriver to pry loose. Use caution when removing tabs.



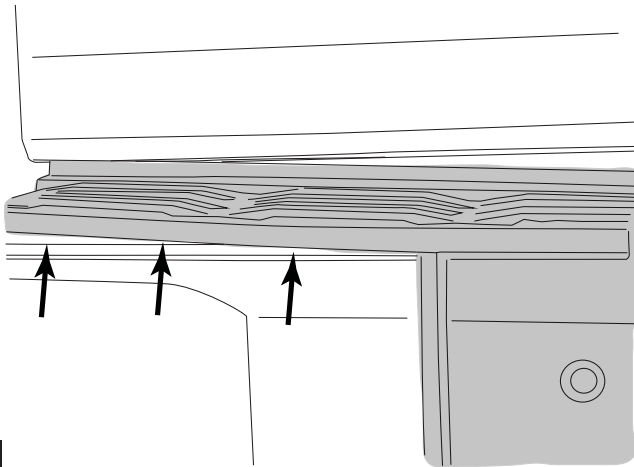
Remove license plate light by rotating and pulling out. Squeeze metal tabs holding trailer hitch plug and remove.



Remove plastic plug holding bumper cap onto lower portion of bumper. Remove license plate and plug behind holding bumper cap in place.

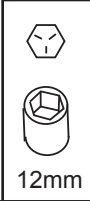
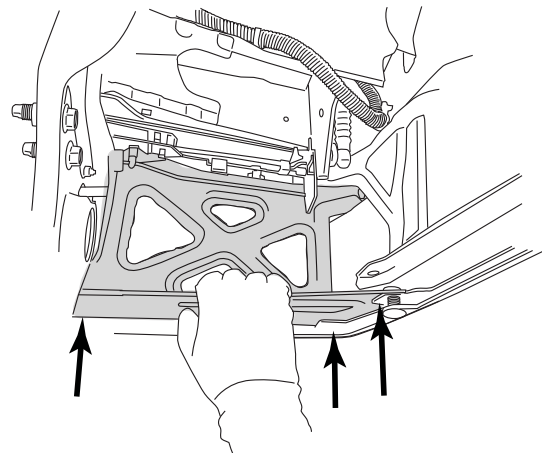


Remove bumper cap from bumper. Use flat blade screwdriver or long pliers from underside of bumper and fold or squeeze tabs inward.



5

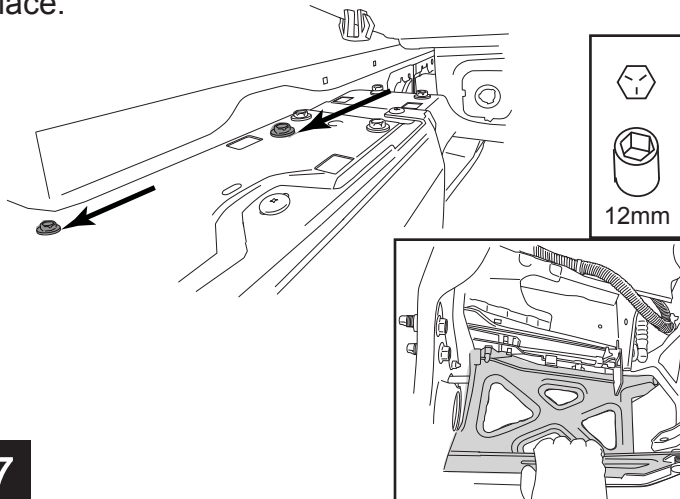
Loosen and remove three lower bolts that secure bumper corner bracket in place.



12mm

6

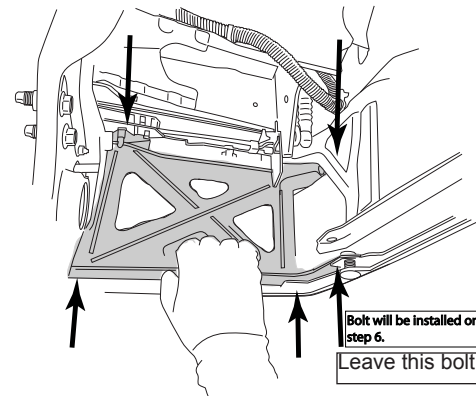
Lift bumper cap away and loosen and remove 2 upper bolts holding Re enforcement bracket in place.



12mm

7

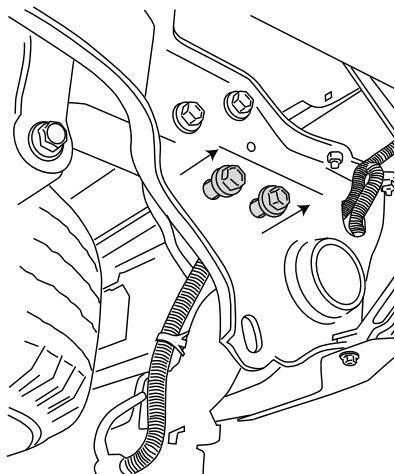
Replace Re enforcement bracket. Reinstall bolts from step 6 and 7. Use provided nuts to secure bracket in place. Replace bumper components from steps 2-5.



Bolt will be installed on step 6.  
Leave this bolt out until step 10.

8

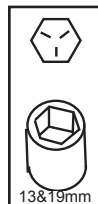
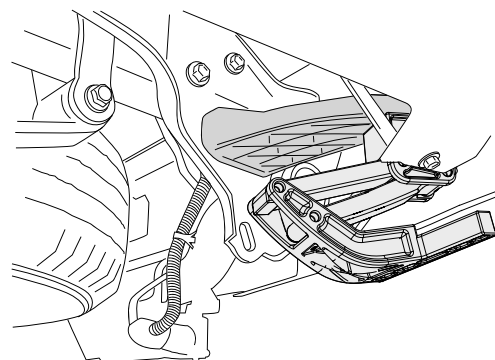
Driver Side bumper mount.



19mm

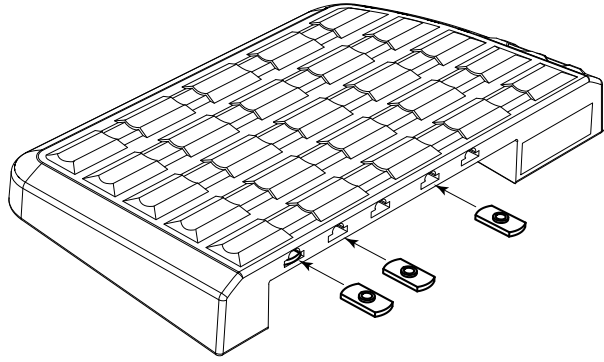
9

Install mounting bracket using factory fasteners. Torque fasteners to 90ft-lbs/125Nm. Align bumper support bracket to mounting hole in Re enforcement bracket. Torque nuts to 33ft-lbs/44Nm.

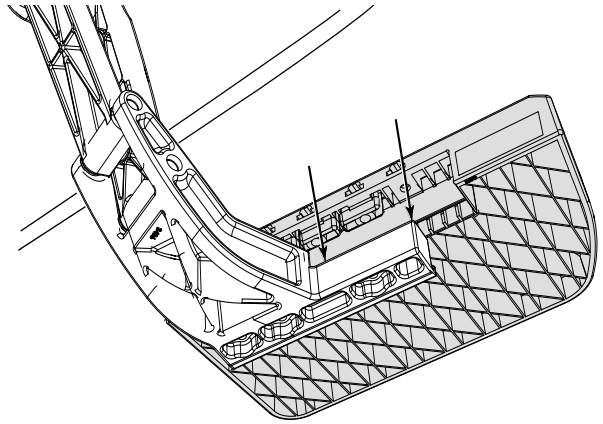


13&19mm

10

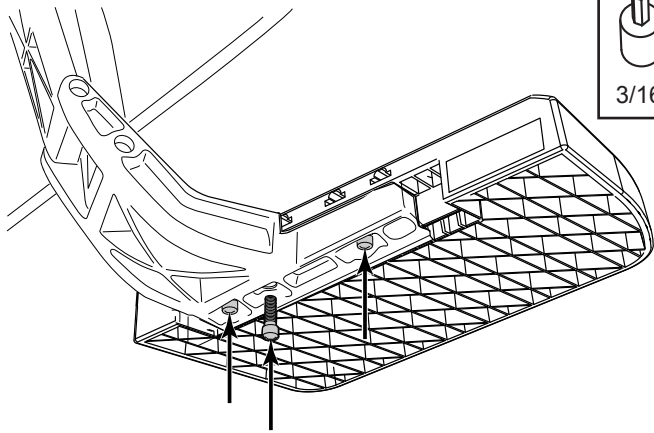


11



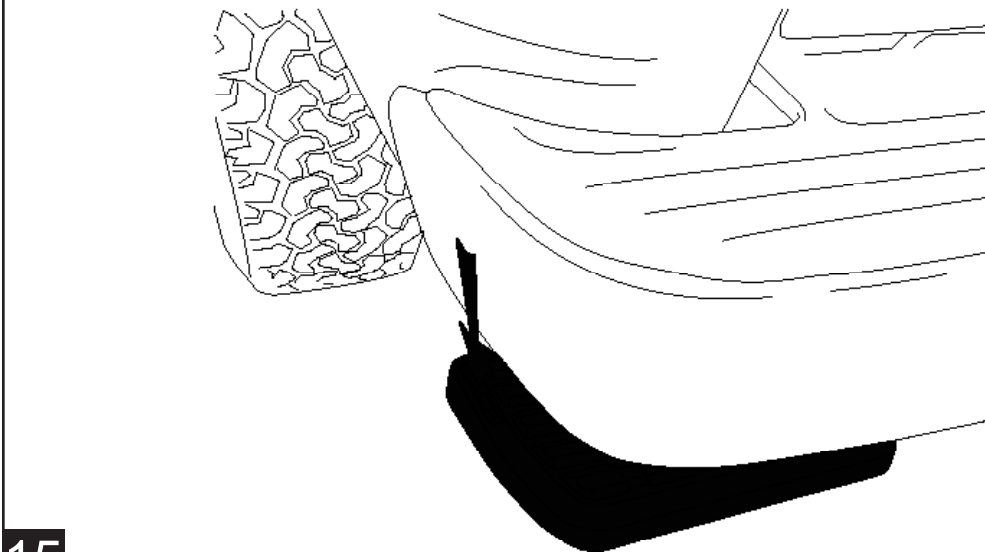
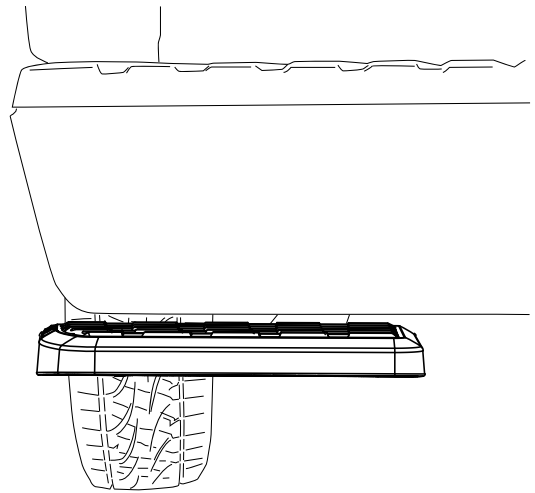
12

Torque bolts to 6 ft-lbs / 8 Nm.



13 NOTE: Overtightening may damage step pad

14



15

# Congratulations on the purchase of your AMP RESEARCH BedStep®



Here's what you should know...

## OPERATION

- The AMP Research BedStep® is foot operated and deploys and retracts with a nudge of your foot.
- To deploy, press down using your left foot, on the forward outside corner of the step pad.
- To retract, gently kick the underside of the step pad.
- Max Load Capacity: 300lbs.
  
- Always use appropriate hand holds when stepping up to or down from your truck's cargo bed.

## MAINTENANCE TIPS

The step pad surface and linkage arms can be washed with mild soap and water using a soft brush or sponge to dislodge any mud, dirt or accumulated road grime. Rinse with fresh water.

To prevent slipping, avoid applying waxes, lubricants or protectants like Armor All® to the step surface.

## ATTENTION!

**BEDSTEP SHOULD ALWAYS BE STOWED IN THE RETRACTED POSITION WHEN DRIVING.**