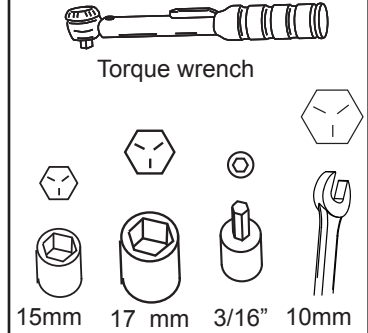
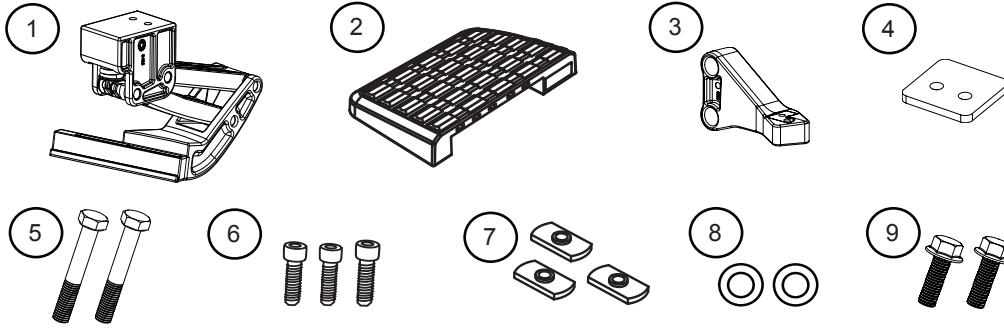


APPLICATION

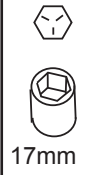
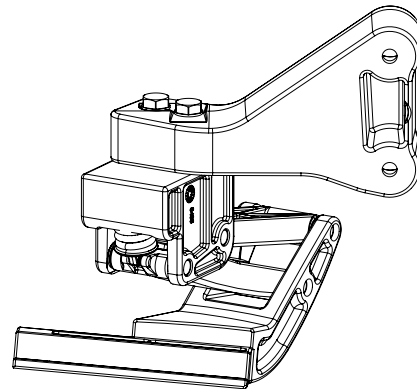
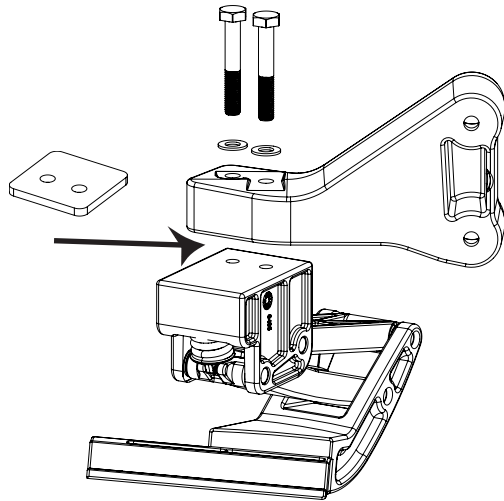
Dodge Ram 1500
 Dodge Ram 2500/3500

2009 - 2016
 2010 - 2016



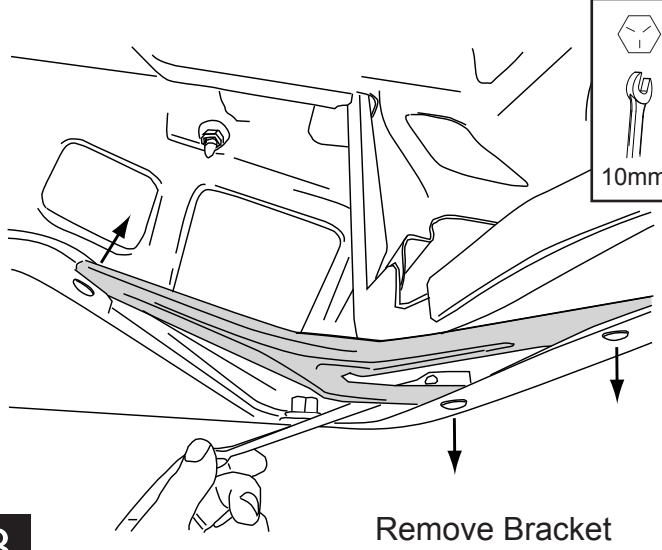
Spacer may be required on 2011-up model trucks

33 ft-lbs / 44 Nm

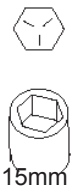
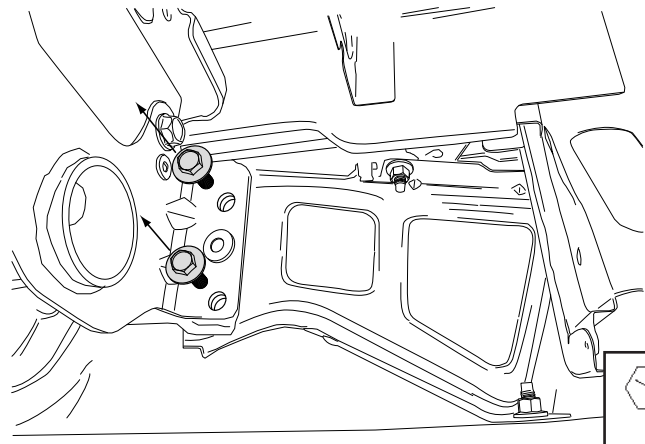


1

2



Remove Bracket



Driver Side bumper mount
 (do not reuse bolts)

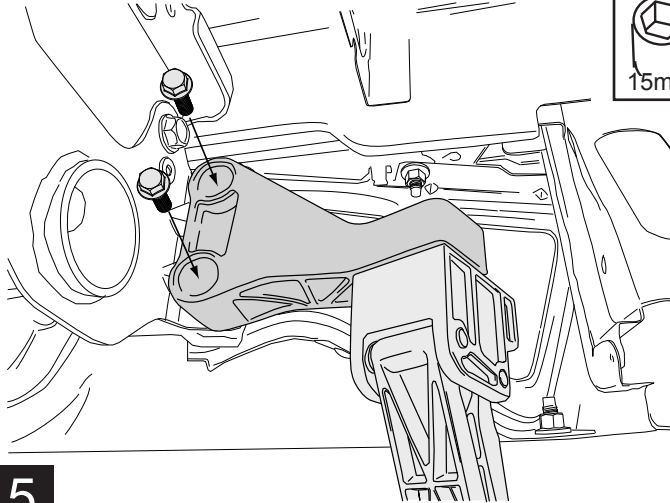
3

4

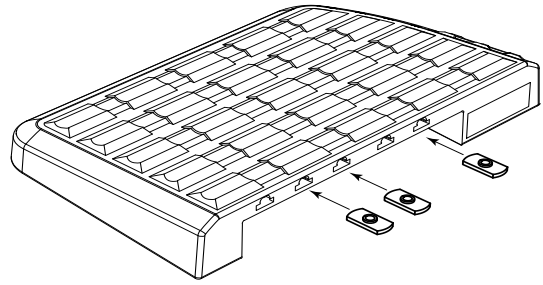
Hex Bolts: 41 ft-lbs / 55 Nm
(use new supplied bolts)



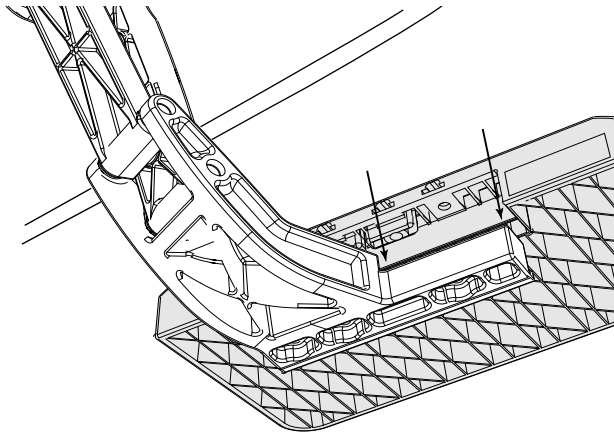
15mm



5



6

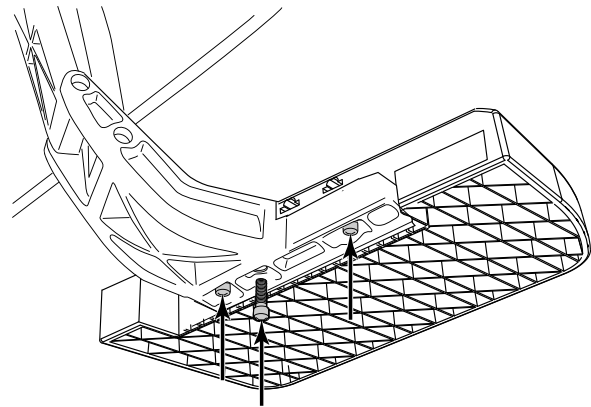


7

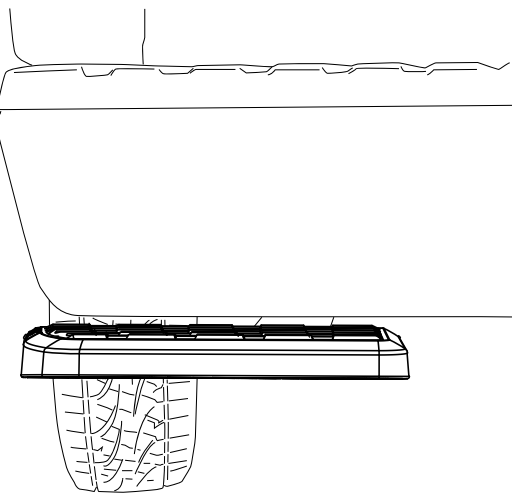
6 ft-lbs / 8 Nm



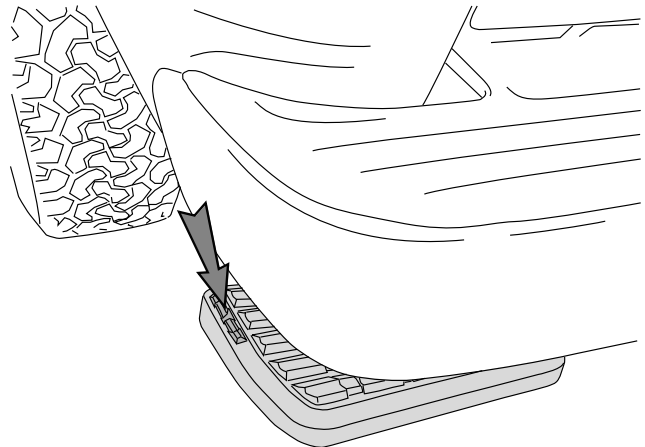
3/16"



8



9



10

Congratulations on the purchase of your AMP RESEARCH BedStep®



Here's what you should know...

OPERATION

- The AMP Research BedStep® is foot operated and deploys and retracts with a nudge of your foot.
- To deploy, press down using your left foot, on the forward outside corner of the step pad.
- To retract, gently kick the underside of the step pad.
- Max Load Capacity: 300lbs.

- Always use appropriate hand holds when stepping up to or down from your truck's cargo bed.

MAINTENANCE TIPS

The step pad surface and linkage arms can be washed with mild soap and water using a soft brush or sponge to dislodge any mud, dirt or accumulated road grime. Rinse with fresh water.

To prevent slipping, avoid applying waxes, lubricants or protectants like Armor All® to the step surface.

ATTENTION!

BEDSTEP SHOULD ALWAYS BE STOWED IN THE RETRACTED POSITION WHEN DRIVING.