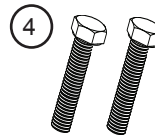
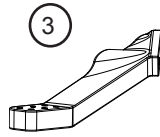
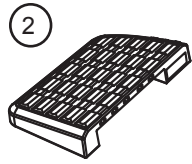
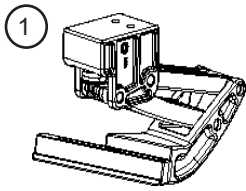
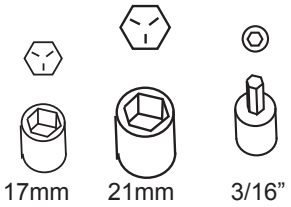
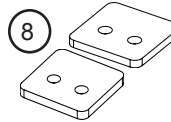
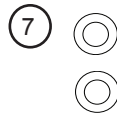
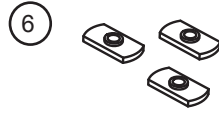
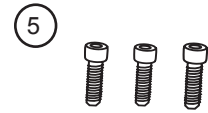


APPLICATION

Ford Super Duty / F-250 / F-350 / F-450  
1999 - 2016



Torque wrench

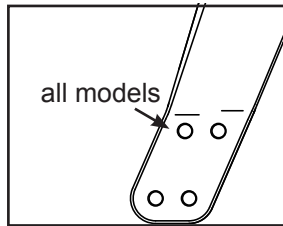


17mm

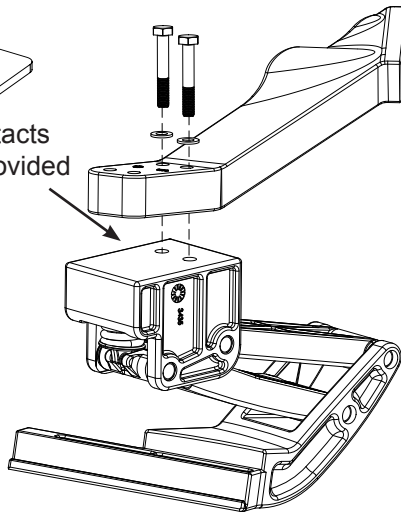
21mm

3/16"

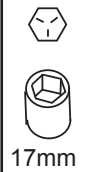
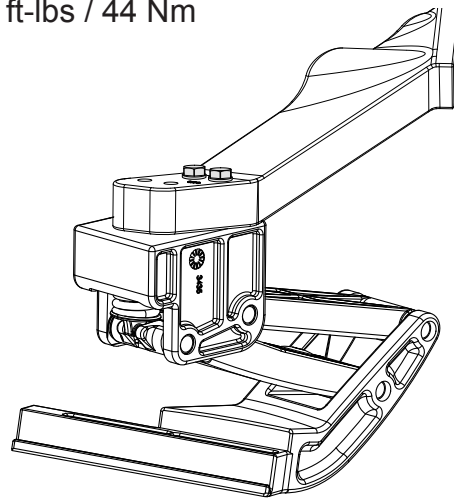
If Step pad contacts bumper, use provided spacers.



all models



33 ft-lbs / 44 Nm

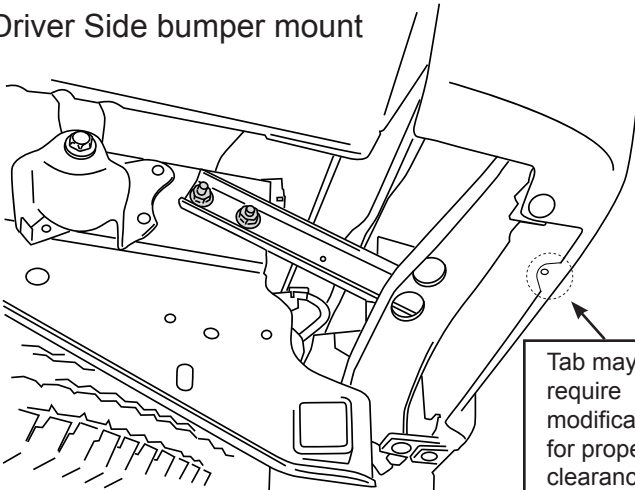


17mm

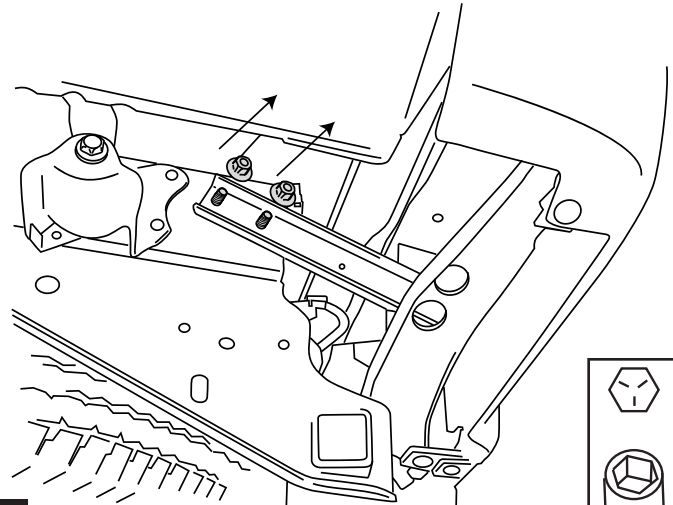
1

2

Driver Side bumper mount



Tab may require modification for proper clearance. Not on all vehicles.



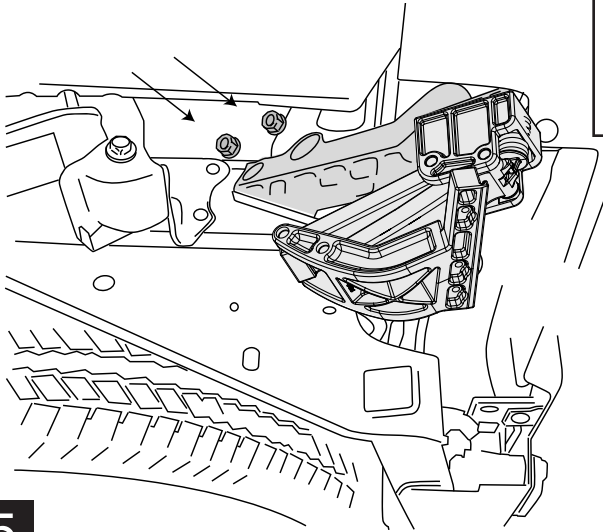
21mm

3

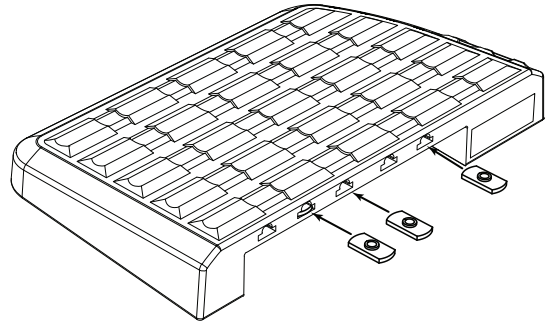
4

Designed and manufactured by AMP Research®. Patent Number 6,830,257; 6,641,158; 6,834,875; 6,938,909; 6,942,233; 7,007,961; 7,055,839; 7,163,221; 7,367,574; 7,380,807; 7,398,985; 7,413,204; 7,487,986. Other US and Worldwide patents pending. Made in USA © 2009 AMP Research

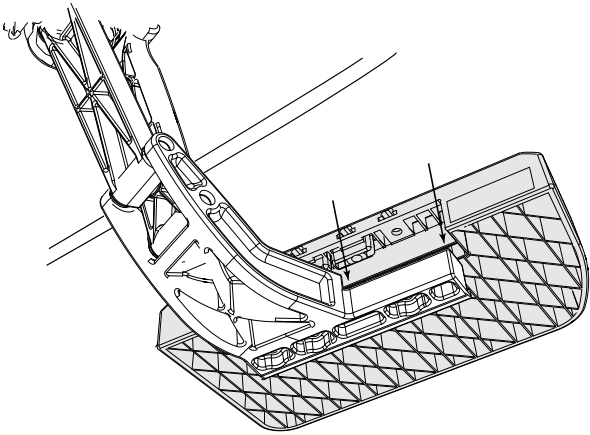
80 ft-lbs / 108 Nm



5

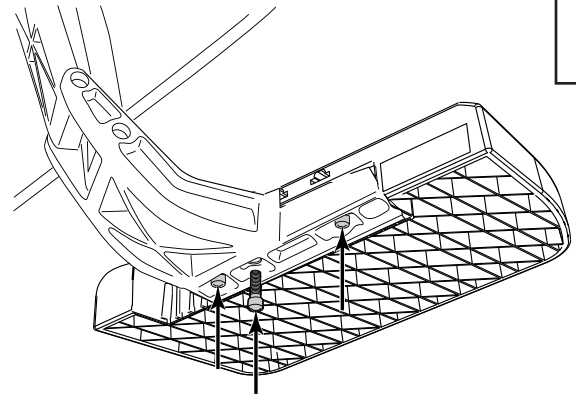


6



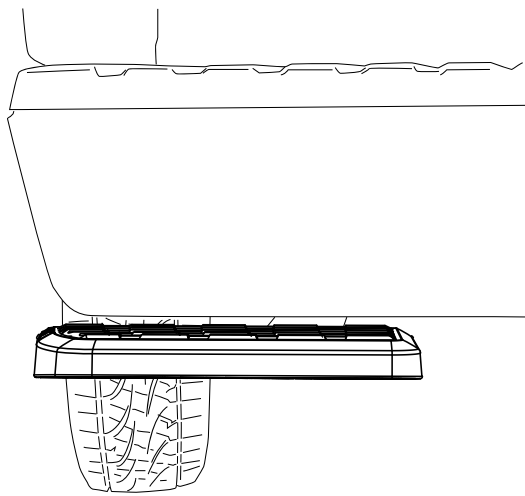
7

6 ft-lbs / 8 Nm

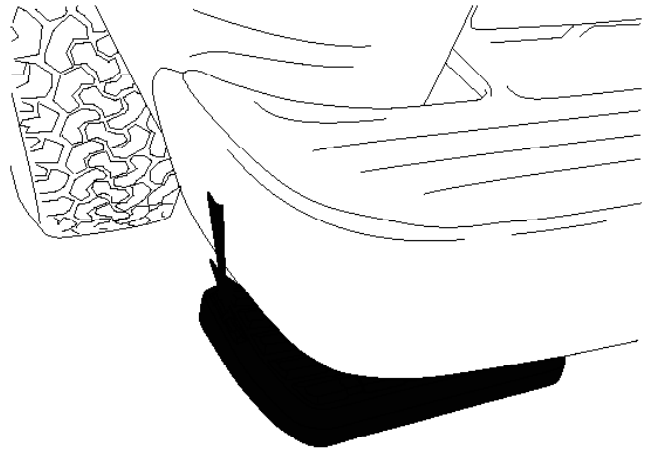


8

NOTE: Overtightening may damage step pad



9



10

# Congratulations on the purchase of your AMP RESEARCH BedStep®



Here's what you should know...

## OPERATION

- The AMP Research BedStep® is foot operated and deploys and retracts with a nudge of your foot.
- To deploy, press down using your left foot, on the forward outside corner of the step pad.
- To retract, gently kick the underside of the step pad.
- Max Load Capacity: 300lbs.
  
- Always use appropriate hand holds when stepping up to or down from your truck's cargo bed.

## MAINTENANCE TIPS

The step pad surface and linkage arms can be washed with mild soap and water using a soft brush or sponge to dislodge any mud, dirt or accumulated road grime. Rinse with fresh water.

To prevent slipping, avoid applying waxes, lubricants or protectants like Armor All® to the step surface.

## ATTENTION!

**BEDSTEP SHOULD ALWAYS BE STOWED IN THE RETRACTED POSITION WHEN DRIVING.**