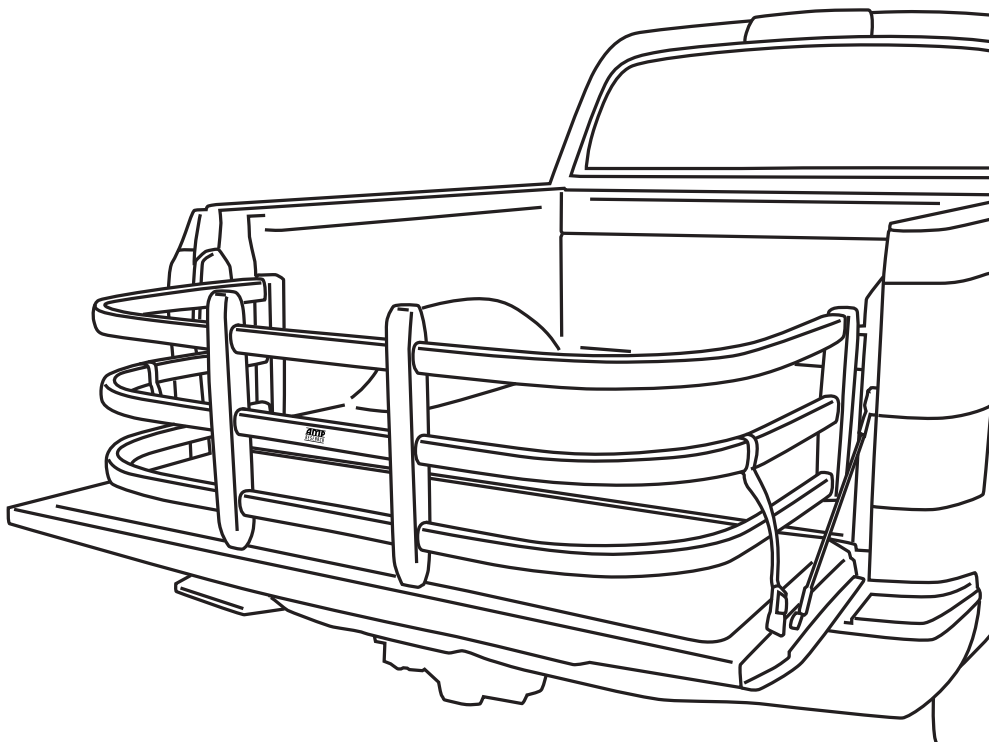


ASSEMBLY & INSTALLATION GUIDE

AMP RESEARCH **BedXTender^{HD}** **MAX**

APPLICATION	YEAR	PART #
GM Silverado/Sierra	2019	74841-00A (Silver) 74841-01A (Black)



INSTALLATION TIME
1 Hour

SKILL LEVEL

1 2 3 4
1= Easy

TOOLS REQUIRED

Phillips screw driver
Torx T-20 driver
Torx T-25 driver
Power drill
1/8" drill bit
21/64" drill bit
Center punch
Supplied templates
Soapy Water
Masking Tape

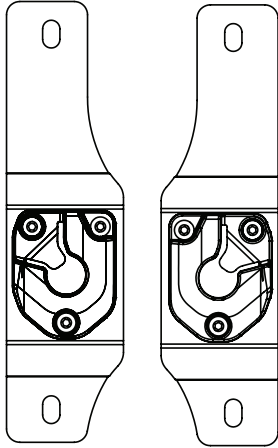
BEDXTENDER HD™ shown assembled and installed on truck.

Remove contents from box and check for damage.
Verify all parts against parts list.
Read and understand instructions completely before attempting assembly and installation.

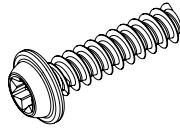
Invented, engineered and manufactured exclusively by AMP Research in the USA. May be covered by one of the following patents:
5,700,047; 6,113,173; 6,402,215; 6,805,392; 7,063,366; 7,393,035; 7,654,598; 7,681,935; 7,841,638

PARTS LIST AND HARDWARE IDENTIFICATION

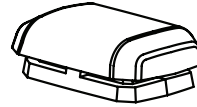
1 x2
Quick Mount
Bracket Set



2 x12
PT-Screw



3 x4
Bumper



4 x2
Strap Buckle
Assembly



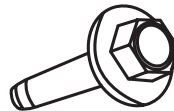
5 x2
(Small/Narrow)
(Large/Deep)
Bumper Upright Outer



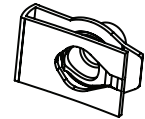
6 x2
(Small/Narrow)
(Large/Deep)
Bumper Upright Inner



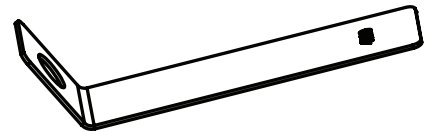
7 x4
M8 Bolt



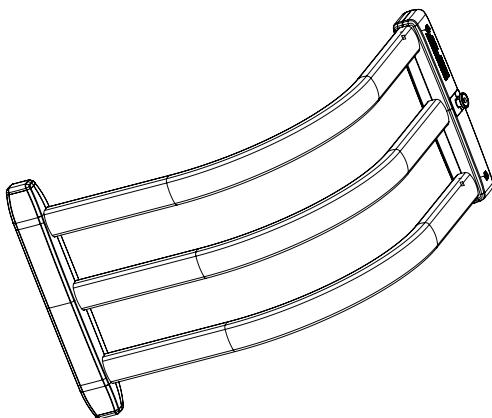
8 x4
M8 U-Nut



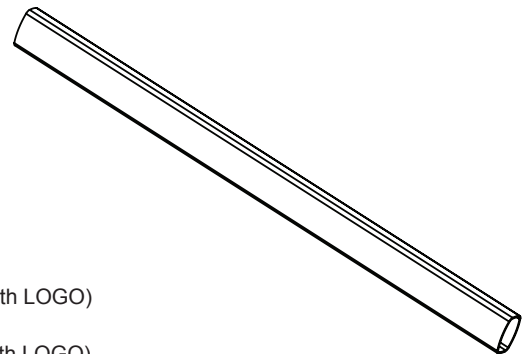
9 x4
Bracket Nut
Plate



10 x2
Silver: (Small)
Black: (Small)
Silver: (Deep)
Black: (Deep)
Silver: (Large)
Black: (Large)
Pivot Upright Assembly



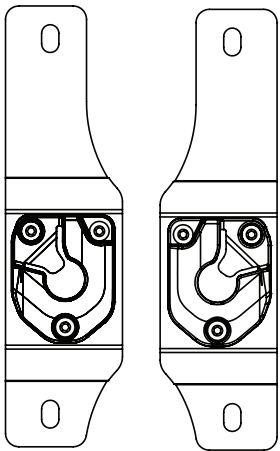
11 x3
(Small Silver)
(Small Silver with LOGO)
(Small Black)
(Small Black with LOGO)
(Large/Deep Black)
(Large/Deep Black with LOGO)
(Large/Deep Silver)
(Large/Deep Silver with LOGO)
Center Tube



AMP RESEARCH BEDXTENDER HD™

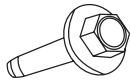
MOUNTING BRACKET INSTALLATION - CHEVROLET SILVERADO / GMC SIERRA 2019

PLEASE READ ENTIRE INSTRUCTIONS BEFORE PROCEEDING WITH INSTALLATION

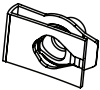


Driver

Passenger



4x
M8 Bolt

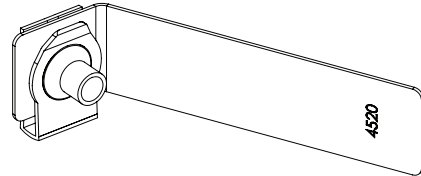


4x
M8 U-Nut

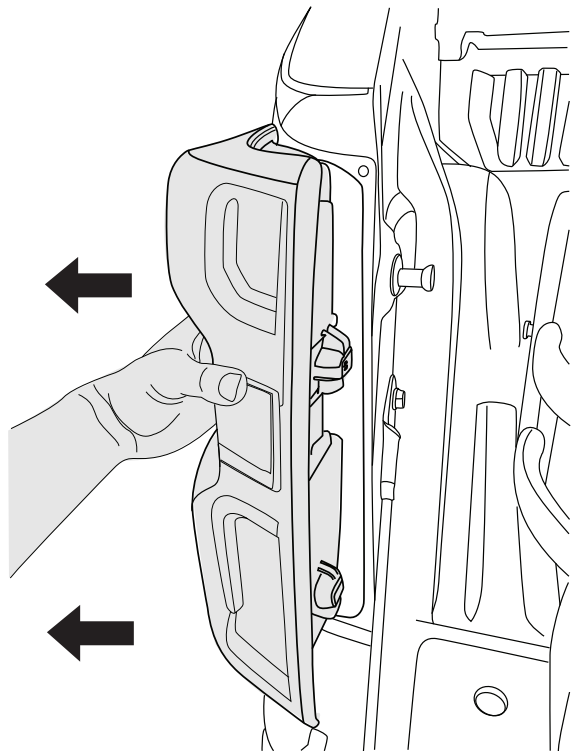
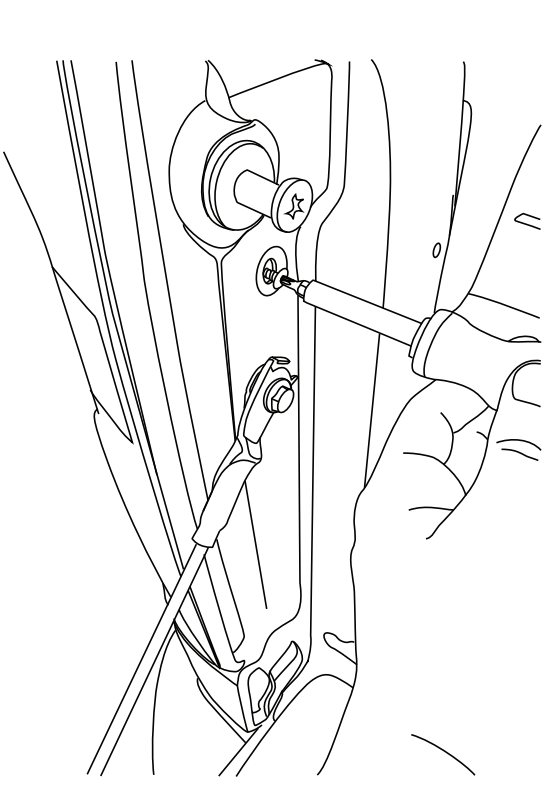


4x
Bracket Nut Plate

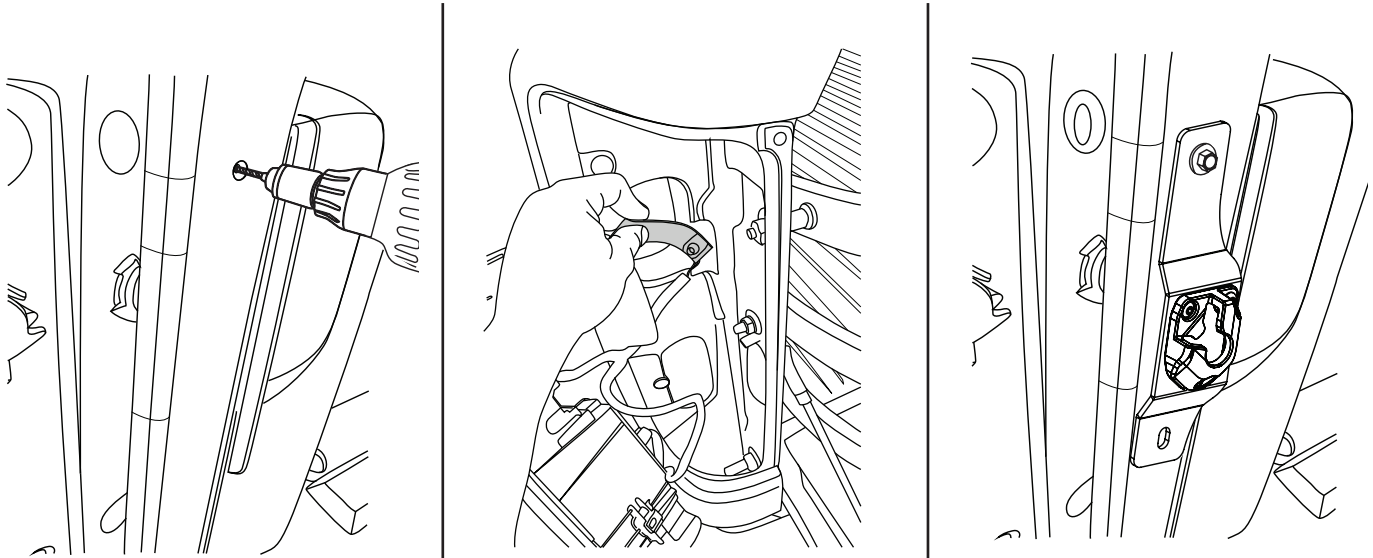
Assemble U-Nuts on to bracket plates in the orientation shown.



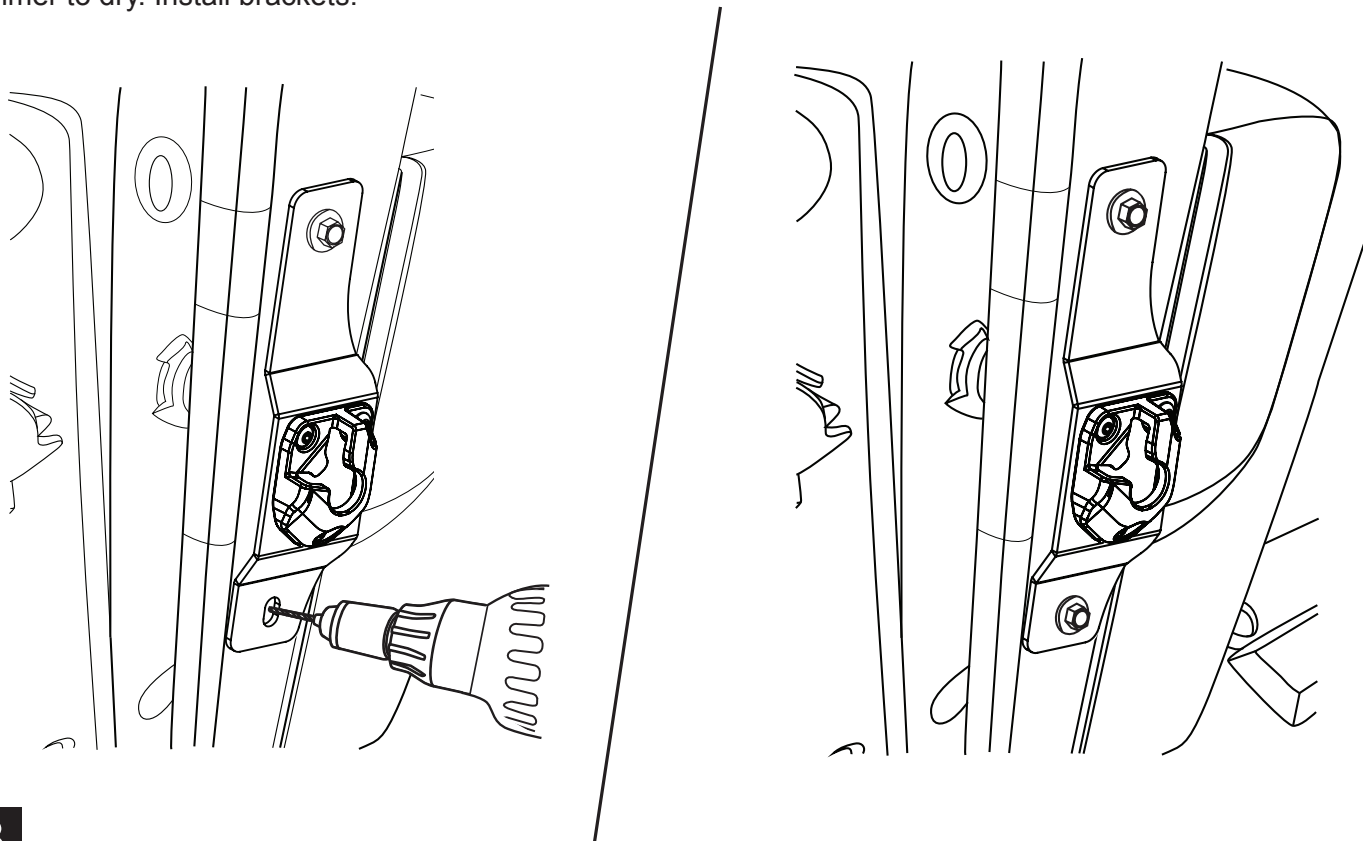
Remove the tail lights using T20 torx driver. Carefully pull back to remove tail lights.



Enlarge hole in D-Pillar with 21/64" drill bit. Fasten the Quick Mount Bracket to the D-Pillar with one M8 Hex Bolt and Bracket Nut Plate Assembly.

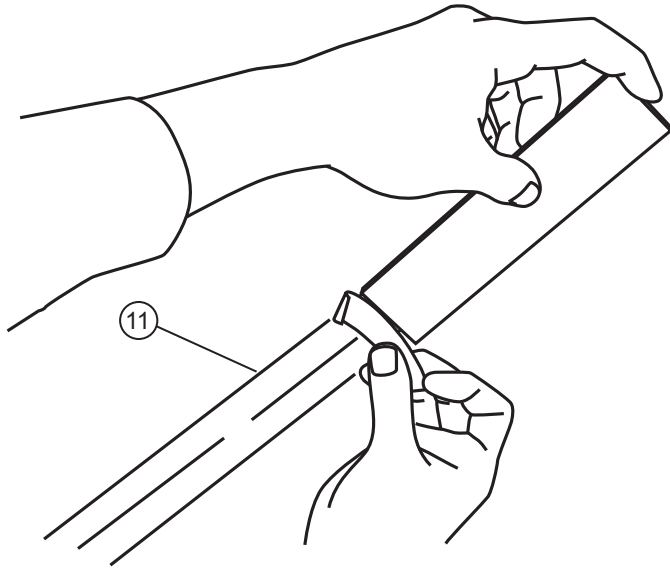
**2**

Allow the bracket to hang vertically. Using bracket as a template, mark (Center Punch) the upper hole of the lower slot (indicated). Pre drill hole with 1/8" drill bit, loosen upper mounting hole and rotate bracket away from hole and open hole using a 21/64" drill bit. Remove burrs, apply primer to edge of holes, and allow primer to dry. Install brackets.

**3**

BED X-TENDER ASSEMBLY

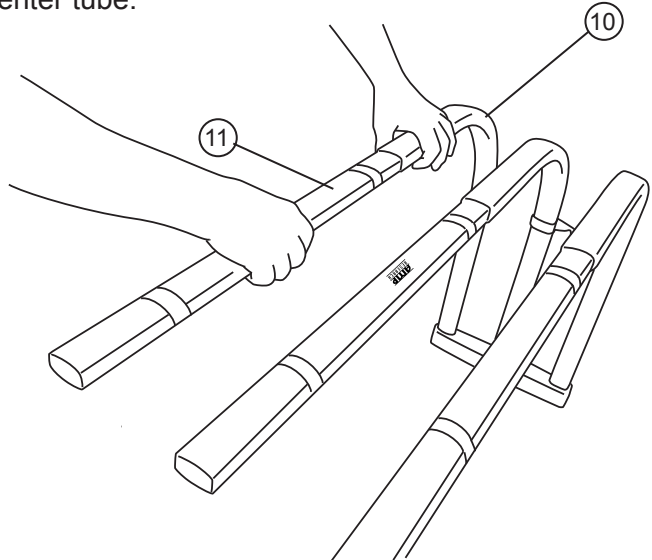
Measure 7" from each end of the three center tubes and mark with tape. **Tape is to be used as a reference point**



Note: Template located on inside of box.

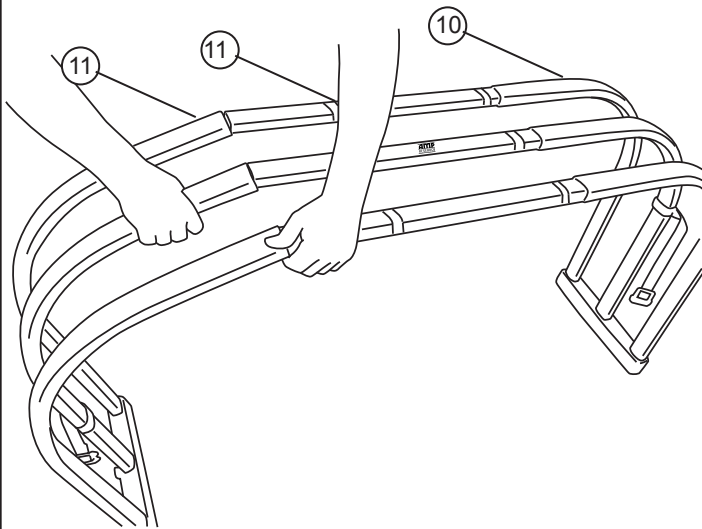
3

Slide 3 center tubes into the open ends of the bent tubes as shown. Insert center tube with logo into the center tube.



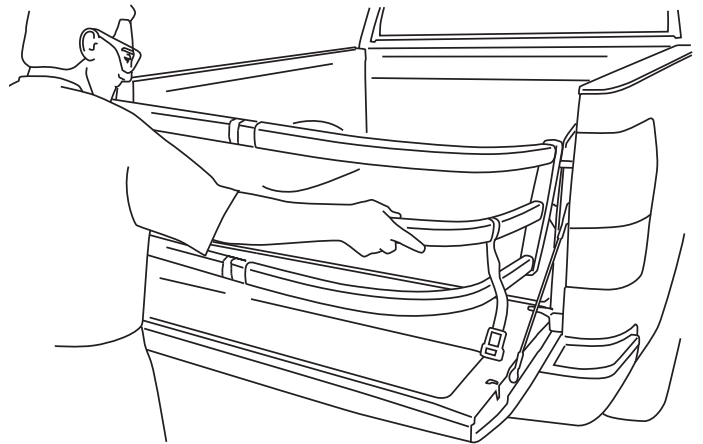
4

Connect the two halves. Make sure there is at least 3" overlap with the bent tubes on each side.



5

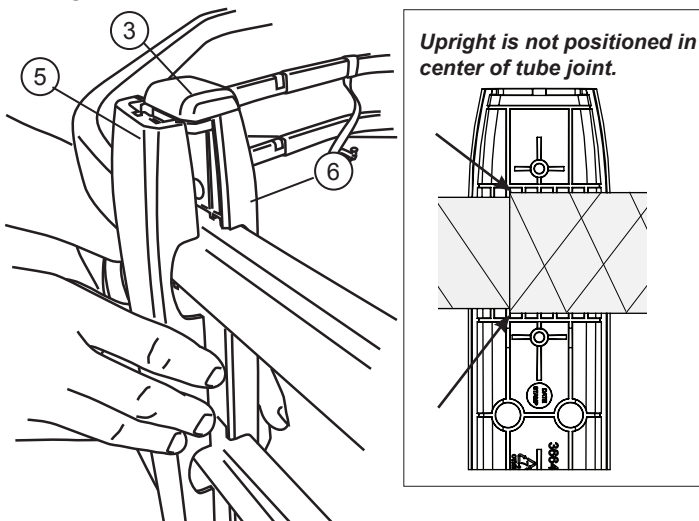
Adjust the width of the BEDXTENDER by placing the pivots into the mounting brackets. To keep overlap constant, adjust each tube so that the gap between the edge and the tape is the same.



6

BED X-TENDER ASSEMBLY – CONTINUED

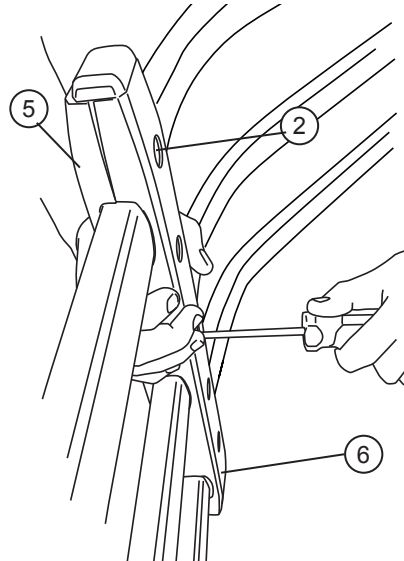
Attach plastic upright around the tube juncture, placing rubber bumpers into the two ends of the upright.



NOTE: The inside of the upright is stepped to fit correctly around the small and large diameter tubes.

7

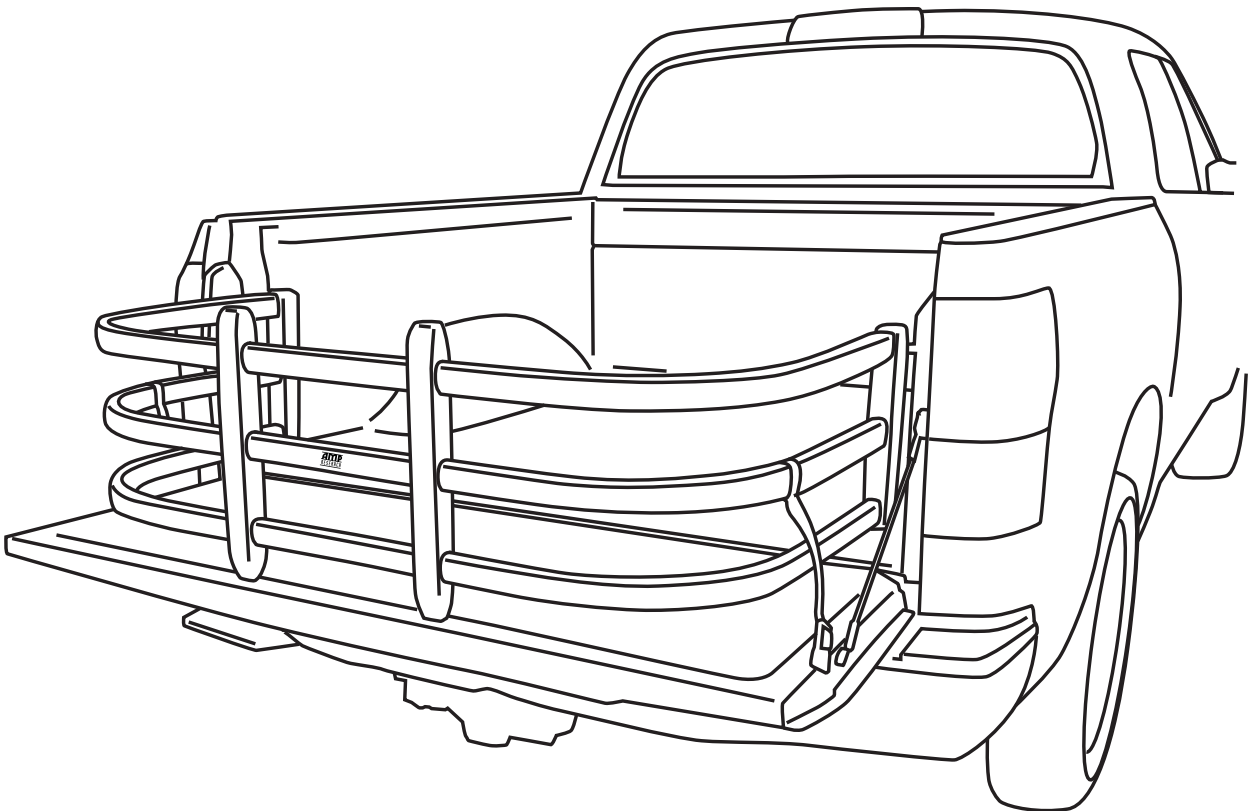
Tighten PT-Screws using a T-25 torx driver, starting in the middle of each upright, then the outer screws and lastly the remaining two to evenly tighten.



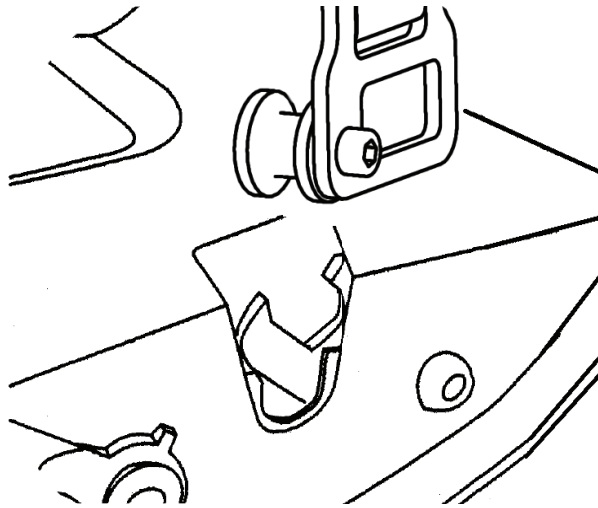
NOTE: Do not over tighten as this may strip out. Fastener will reach a noticeable stopping point.

8

Adjust Strap Buckles to lock into the tailgate when BEDXTENDER is deployed. Your assembly is now complete.



9



NOTE: Ensure that buckles are properly inserted into latches by pulling on the straps after both buckles have been inserted.



BEDXTENDER HD™ OPERATION

With the tailgate open, place BEDXTENDER pivot pins into the left and right mounting brackets. Rotate to 45 until it drops into place, then lower onto the open tailgate.



Flip BEDXTENDER out to contain cargo in the truck bed when the tailgate is open. CAUTION! 200lb maximum load on open tailgate. Always distribute cargo evenly and properly secure inside bed. Do not secure cargo to the BEDXTENDER or the tailgate.



Before driving, secure BEDXTENDER by locking the provided strap buckles into the truck's tailgate latches. To release, pull tailgate handle. NOTE: Ensure that both buckles are properly locked into the latches by pulling up on each strap.



Flip BEDXTENDER forward and close the tailgate to keep smaller cargo safe and organized.

WARNING

Be sure to read and precisely follow the provided instructions when installing this product. Failure to do so could place the vehicle occupants in a potentially dangerous situation. After installing or reinstalling, re-check to insure that the product is properly installed.



The material that your product is made from can be recycled. Please also consider recycling the packaging that your product came in.

