



BedXTender^{HD} MAX

APPLICATION

RAM DT

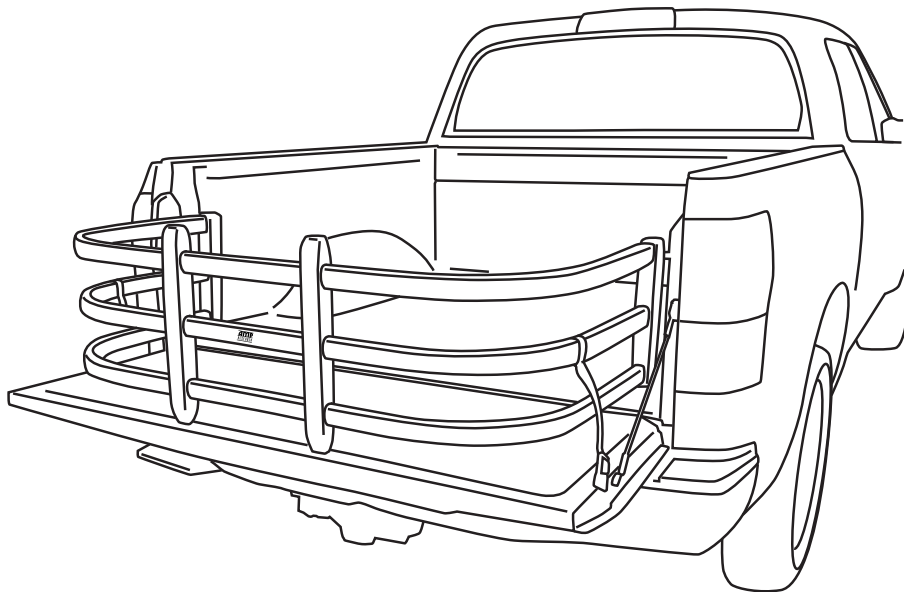
YEAR

2019

PART #

74840-00A (Silver)

74840-01A(Black)

**INSTALLATION TIME**

1 Hour

SKILL LEVEL

1= Easy

TOOLS REQUIRED

Phillips screw driver

Torx T-25 driver

Power drill

5/32" drill bit

Center punch

Supplied templates

Soapy Water

BEDXTENDER HDTM shown assembled and installed on truck.

Remove contents from box and check for damage.

Verify all parts against parts list.

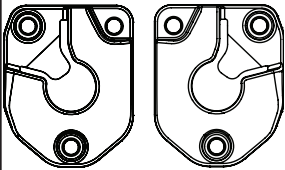
Read and understand instructions completely before attempting assembly and installation.

Invented, engineered and manufactured exclusively by AMP Research in the USA. May be covered by one of the following patents:

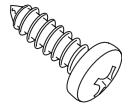
5,700,047; 6,113,173; 6,402,215; 6,805,392; 7,063,366; 7,393,035; 7,654,598; 7,681,935; 7,841,638

PARTS LIST AND HARDWARE IDENTIFICATION

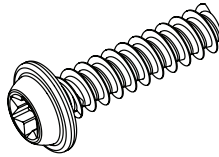
① x2
Quick Mount
Bracket Set



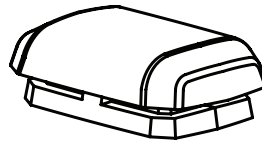
② x6
Phillips head
screw
(included in 74608-01A)



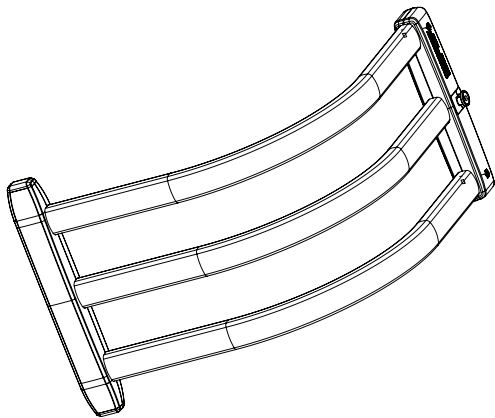
③ x12
PT-Screw



④ x4
Bumper



⑤ x2
Strap Buckle Assembly



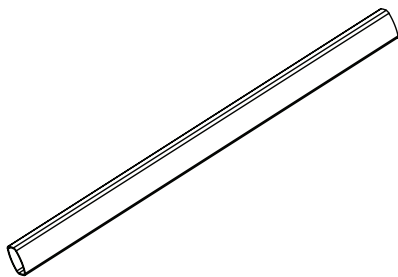
⑥ x2
Pivot Upright Assembly



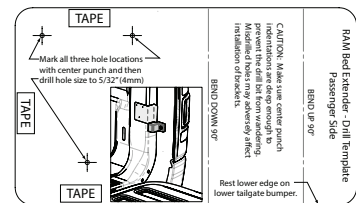
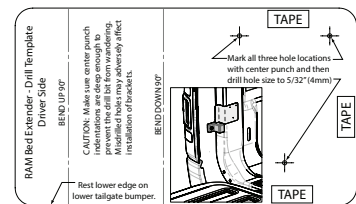
⑦ x2
Bumper Upright Outer



⑧ x2
Bumper Upright Inner



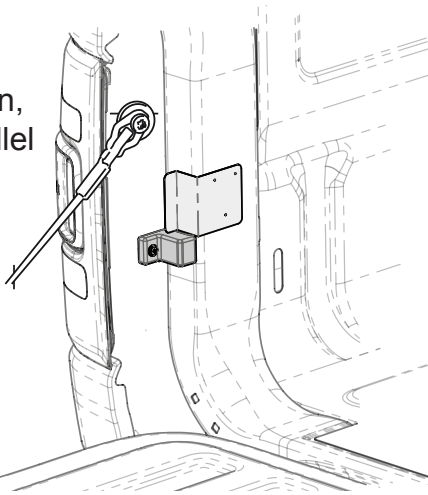
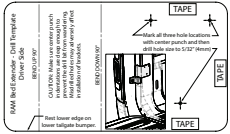
⑨ x3
Center Tube



⑩
Drill Templates

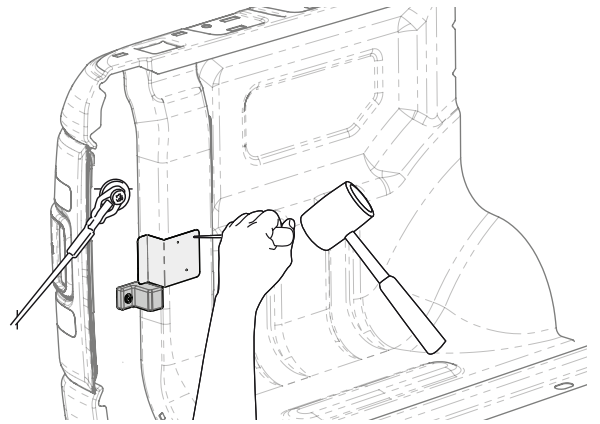
UNIVERSAL MOUNTING BRACKET INSTALLATION

Following instructions on the supplied drill templates, align templates as shown, with top edge parallel to truck bed rail, affixing with tape.



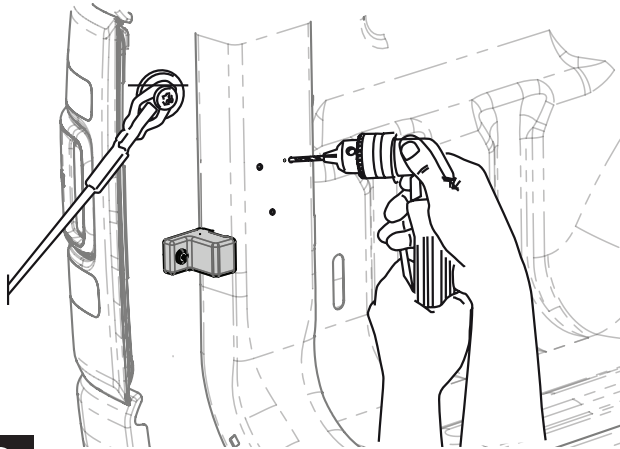
1

Use center punch to firmly mark drill locations as indicated on templates.



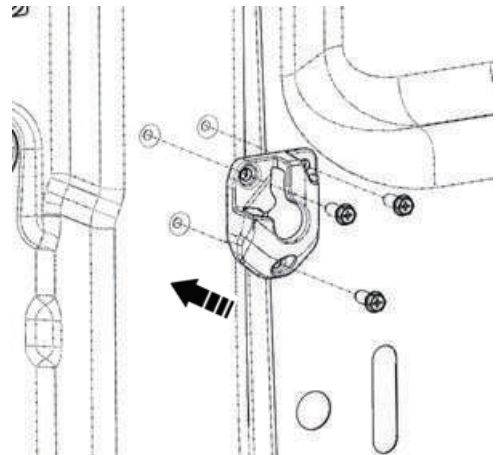
2

Drill at 3 indentations created in Step 2.



3

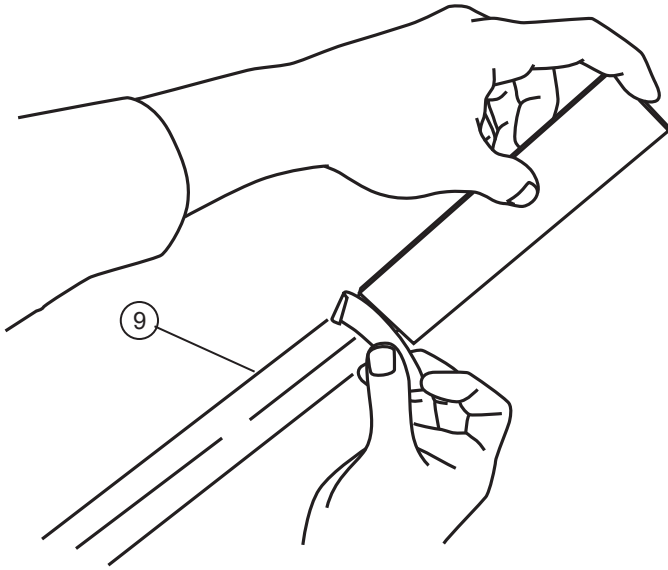
Left side shown, opening in bracket faces Back of vehicle.



4

BED X-TENDER ASSEMBLY

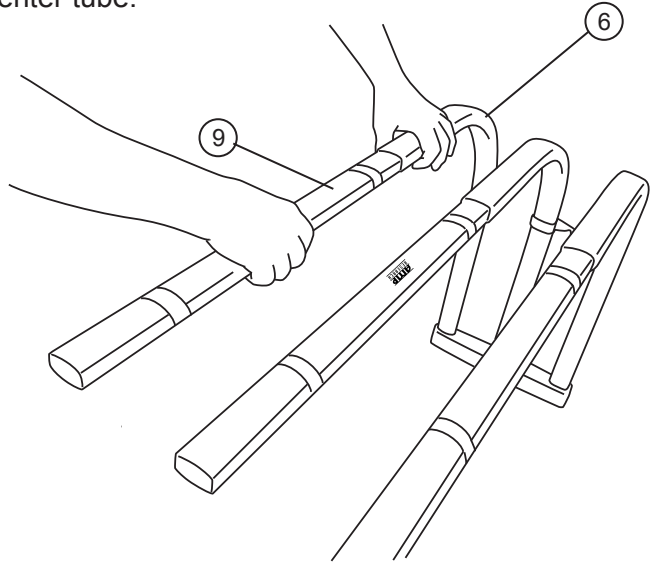
Measure 7" from each end of the three center tubes and mark with tape. **Tape is to be used as a reference point**



1

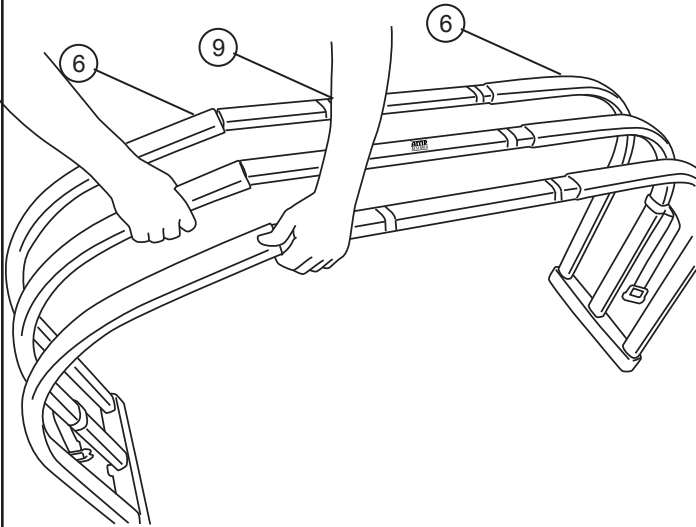
Note: Template located on inside of box.

Slide 3 center tubes into the open ends of the bent tubes as shown. Insert center tube with logo into the center tube.



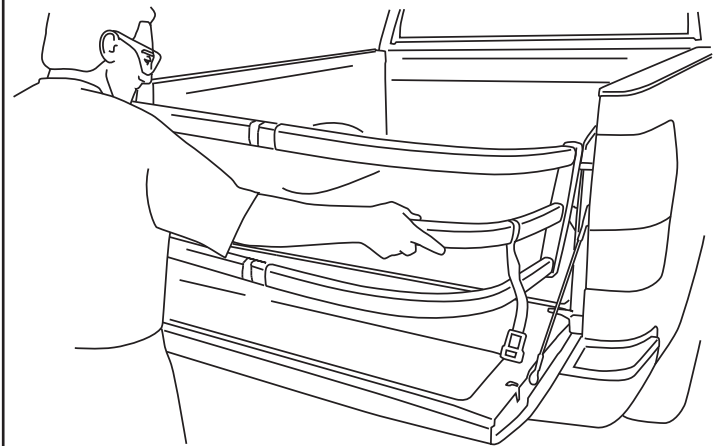
2

Connect the two halves. Make sure there is at least 3" overlap with the bent tubes on each side.



3

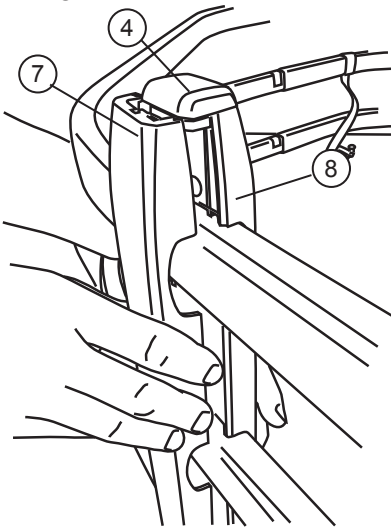
Adjust the width of the BEDXTENDER by placing the pivots into the mounting brackets. To keep overlap constant, adjust each tube so that the gap between the edge and the tape is the same.



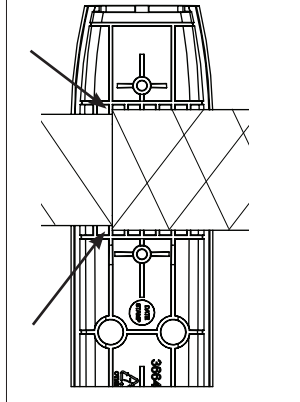
4

BED X-TENDER ASSEMBLY – CONTINUED

Attach plastic upright around the tube juncture, placing rubber bumpers into the two ends of the upright.



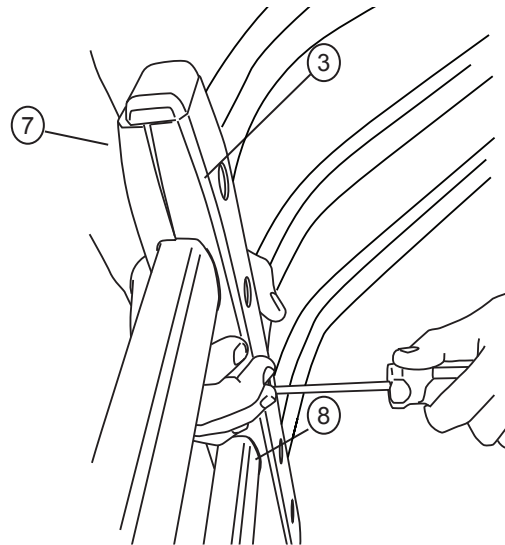
Upright is not positioned in center of tube joint.



NOTE: The inside of the upright is stepped to fit correctly around the small and large diameter tubes.

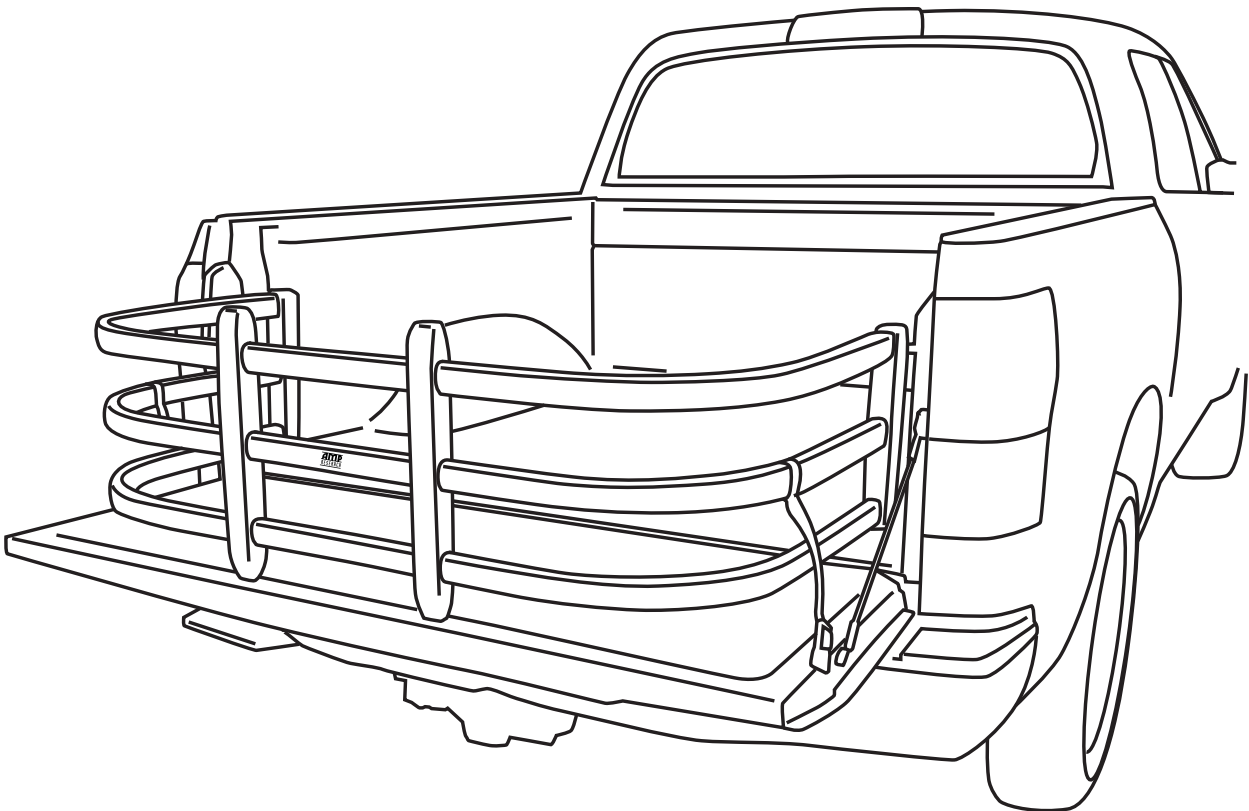
7

Tighten PT-Screws using a T-25 torx driver, starting in the middle of each upright, then the outer screws and lastly the remaining two to evenly tighten.



NOTE: Do not over tighten as this may strip out. Fastener will reach a noticeable stopping point.

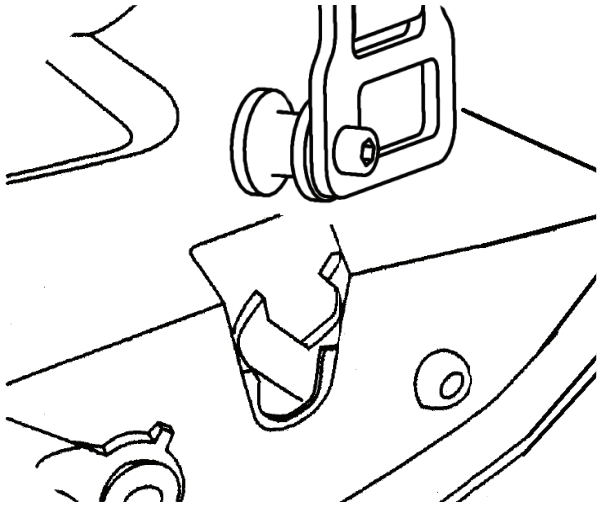
Adjust Strap Buckles to lock into the tailgate when BEDXTENDER is deployed. Your assembly is now complete.



9

When the BEDXTENDER is at the furthest rear position, push down on the buckle to insert into tailgate latch. Tighten straps. To release, pull tailgate handle.

NOTE: Ensure that buckles are properly inserted into latches by pulling on the straps after both buckles have been inserted.





BEDXTENDER HD™ OPERATION

With the tailgate open, place BEDXTENDER pivot pins into the left and right mounting brackets. Rotate to 45 until it drops into place, then lower onto the open tailgate.



Flip BEDXTENDER out to contain cargo in the truck bed when the tailgate is open. CAUTION! 200lb maximum load on open tailgate. Always distribute cargo evenly and properly secure inside bed. Do not secure cargo to the BEDXTENDER or the tailgate.



Before driving, secure BEDXTENDER by locking the provided strap buckles into the truck's tailgate latches. To release, pull tailgate handle. NOTE: Ensure that both buckles are properly locked into the latches by pulling up on each strap.



Flip BEDXTENDER forward and close the tailgate to keep smaller cargo safe and organized.

WARNING

Be sure to read and precisely follow the provided instructions when installing this product. Failure to do so could place the vehicle occupants in a potentially dangerous situation. After installing or reinstalling, re-check to insure that the product is properly installed.



The material that your product is made from can be recycled. Please also consider recycling the packaging that your product came in.

