

## ASSEMBLY & INSTALLATION GUIDE

# AMP RESEARCH **BedXTender HD™**

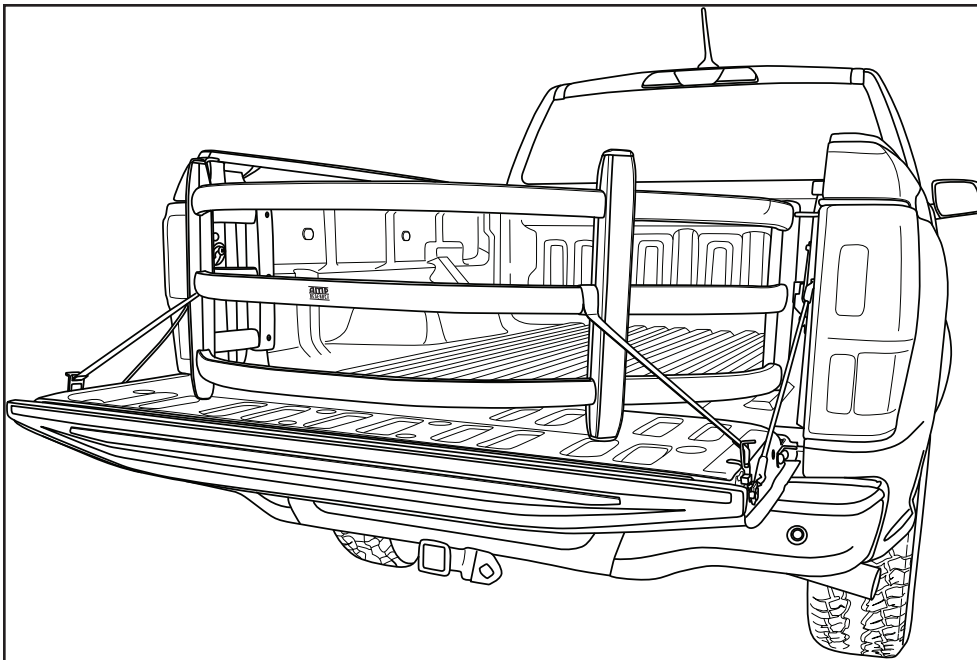
MADE IN USA

### APPLICATION

Ford Ranger

### PART #

74832-01A (Black)



**BEDXTENDER HD™ shown assembled and installed on truck.**

Remove contents from box and check for damage.

Verify all parts against parts list.

Read and understand instructions completely before attempting assembly and installation.

### INSTALLATION TIME

1 Hour

### SKILL LEVEL



1= Easy

### TOOLS REQUIRED

Phillips screw driver

Torx T-25 driver

Supplied templates

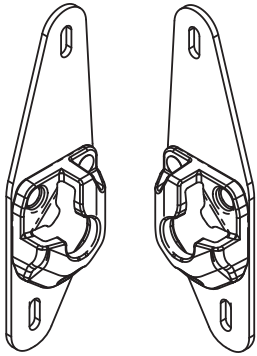
Soapy Water

Invented, engineered and manufactured exclusively by AMP Research in the USA. May be covered by one of the following patents:

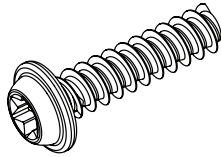
5,700,047; 6,113,173; 6,402,215; 6,805,392; 7,063,366; 7,393,035; 7,654,598; 7,681,935; 7,841,638

PARTS LIST AND HARDWARE IDENTIFICATION

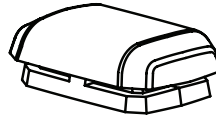
1  
Bracket Set



2 x12  
PT-Screw



3 x4  
Bumper



4 x2  
Strap Buckle Assembly



5 x2  
Pivot Upright Assembly



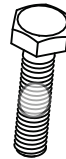
6 x2  
Bumper Upright Outer



7 x2  
Bumper Upright Inner



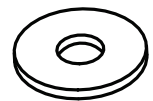
8  
Double Bend Center Tube (With AMP Logo)



9 x4  
M6 Bolt



10 x4  
M6 Nut



11 x8  
Plastic Washer

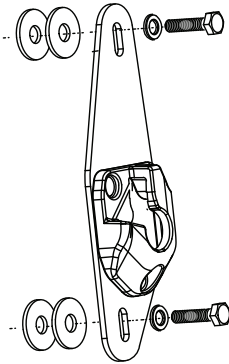
12 x2

Double Bend Center Tube (Without AMP Logo)

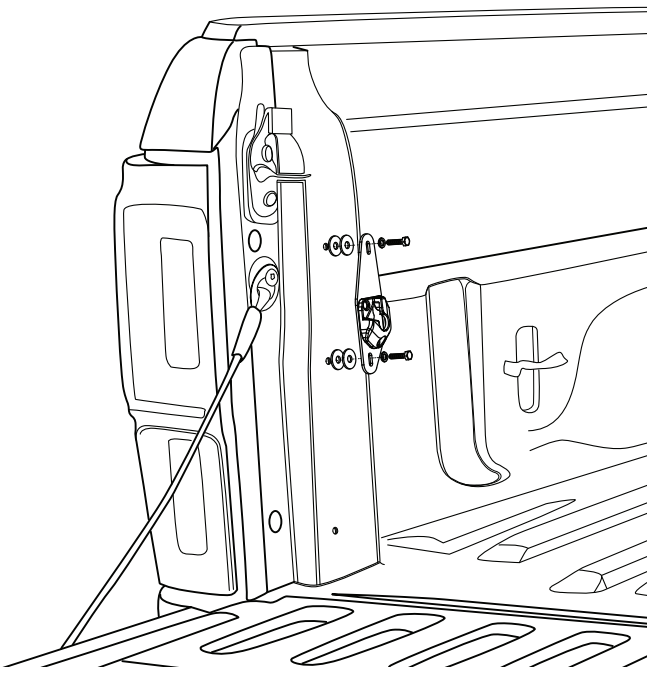
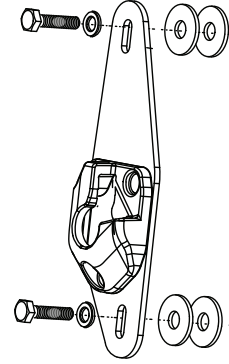


AMP RESEARCH BEDXTENDER HD™

Driver side, Bracket and hardware orientation

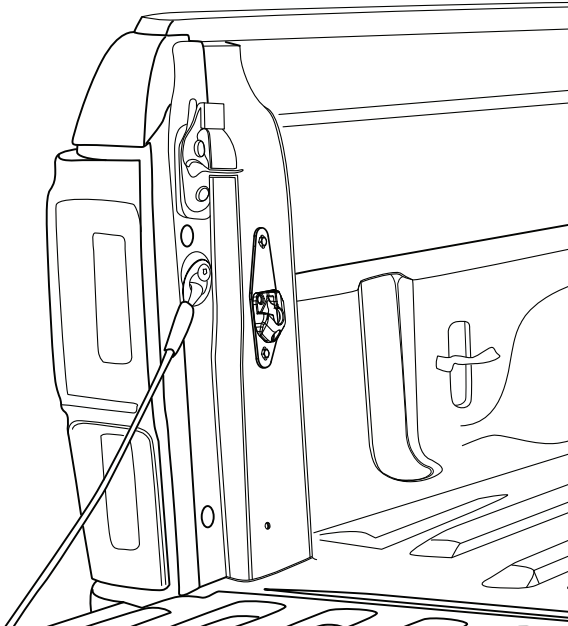


Passenger side, Bracket and hardware orientation



Install Pivot Brackets to upper two threaded holes on D-Pillar. Each bolt location will take two plastic spacers (4 total per bracket, as shown) under the bracket to properly space brackets.

Repeat step on passenger side.



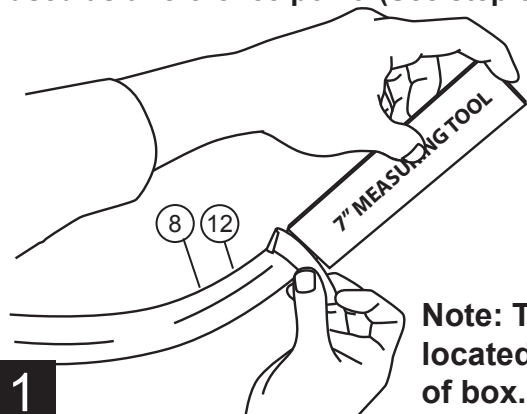
Tighten fasteners. Make sure pivot opening in bracket opens towards the rear of the vehicle.

Repeat step on passenger side.

80 in-lbs  
(9Nm)

## BED X-TENDER ASSEMBLY

Using template measure 7" from each end of the three long tubes and mark with tape. **Tape is to be used as a reference point.** (See step 6)



**Note: Template located on inside of box.**

1

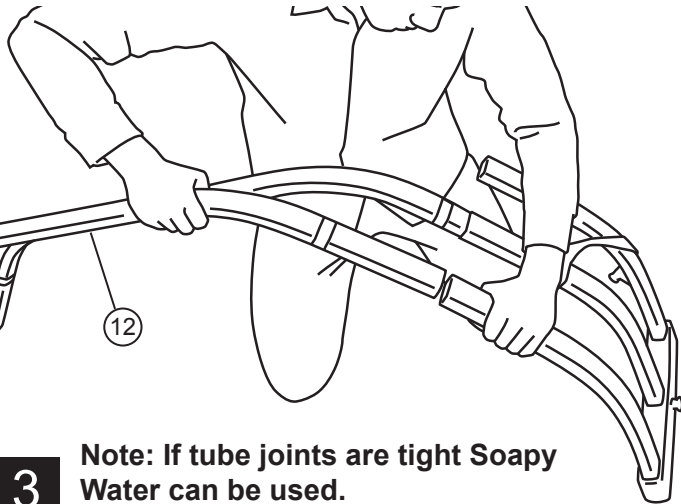
Slide the center tube (With Amp logo) into the center tube of the 3-tube assembly. **Be sure to slide on Strap Buckle Assembly to center tube of Pivot Upright Assembly**



**Note: Tubes do not need to be pushed in to taped edge.**

2

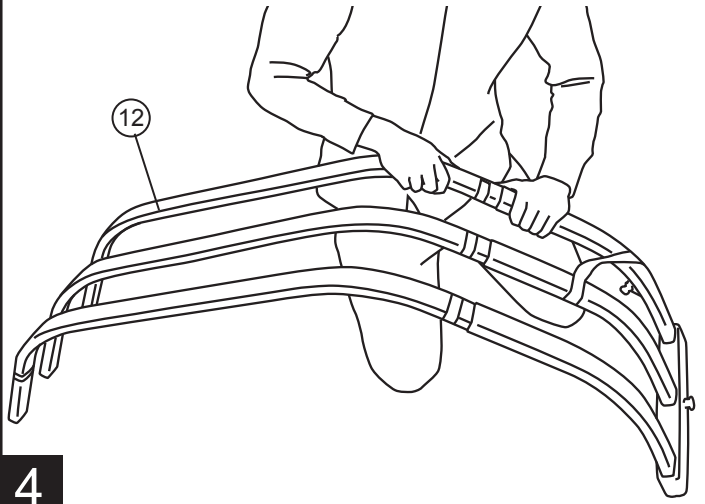
Insert the top long tube into the top tube of the 3-tube assembly.



**Note: If tube joints are tight Soapy Water can be used.**

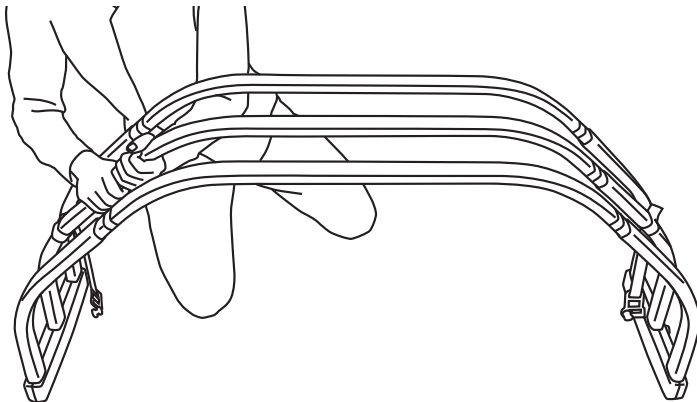
3

Insert the bottom long tube into the bottom tube of the 3-tube assembly.



4

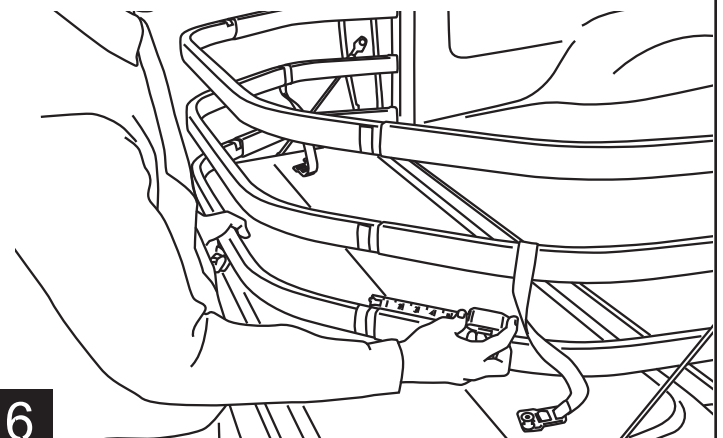
Repeat for the other side.



**Note: Install Strap Buckle Assembly to center tube of Pivot Upright Assembly.**

5

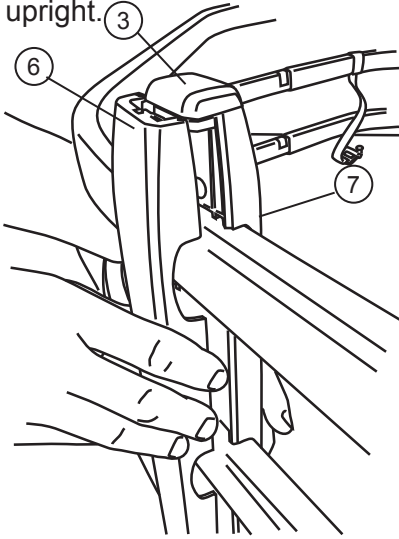
Adjust the width of the BEDXTENDER to fit the pre-installed mounting brackets. To keep tube overlap constant, adjust each tube so that the gap between the edge and the tape is the same.



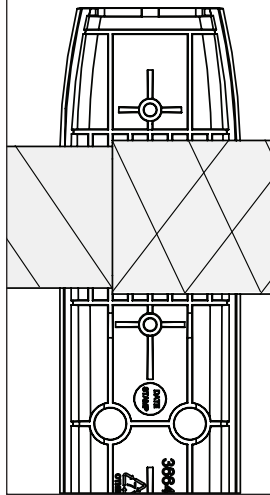
6

## BED X-TENDER ASSEMBLY – CONTINUED

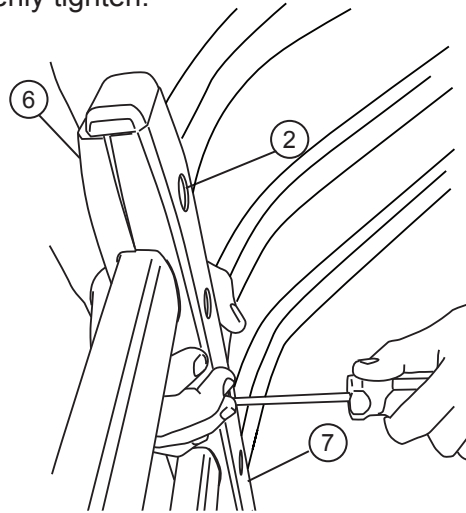
Attach plastic upright around the tube juncture, placing rubber bumpers into the two ends of the upright. ③



Upright is not positioned in center of tube joint.



Tighten PT-Screws using a T-25 torx driver, starting in the middle of each upright, then the outer screws and lastly the remaining two to evenly tighten.



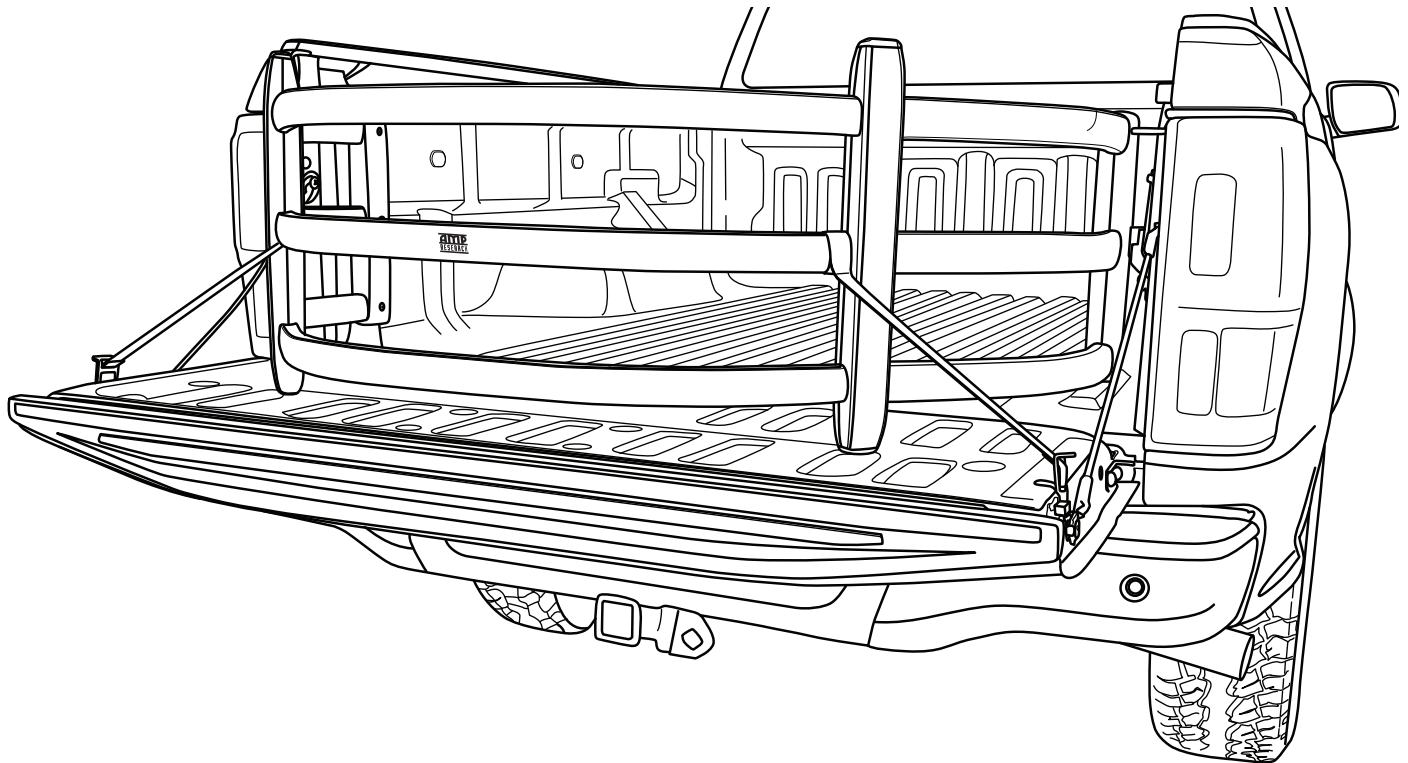
**NOTE:** The inside of the upright is stepped to fit correctly around the small and large diameter tubes.

7

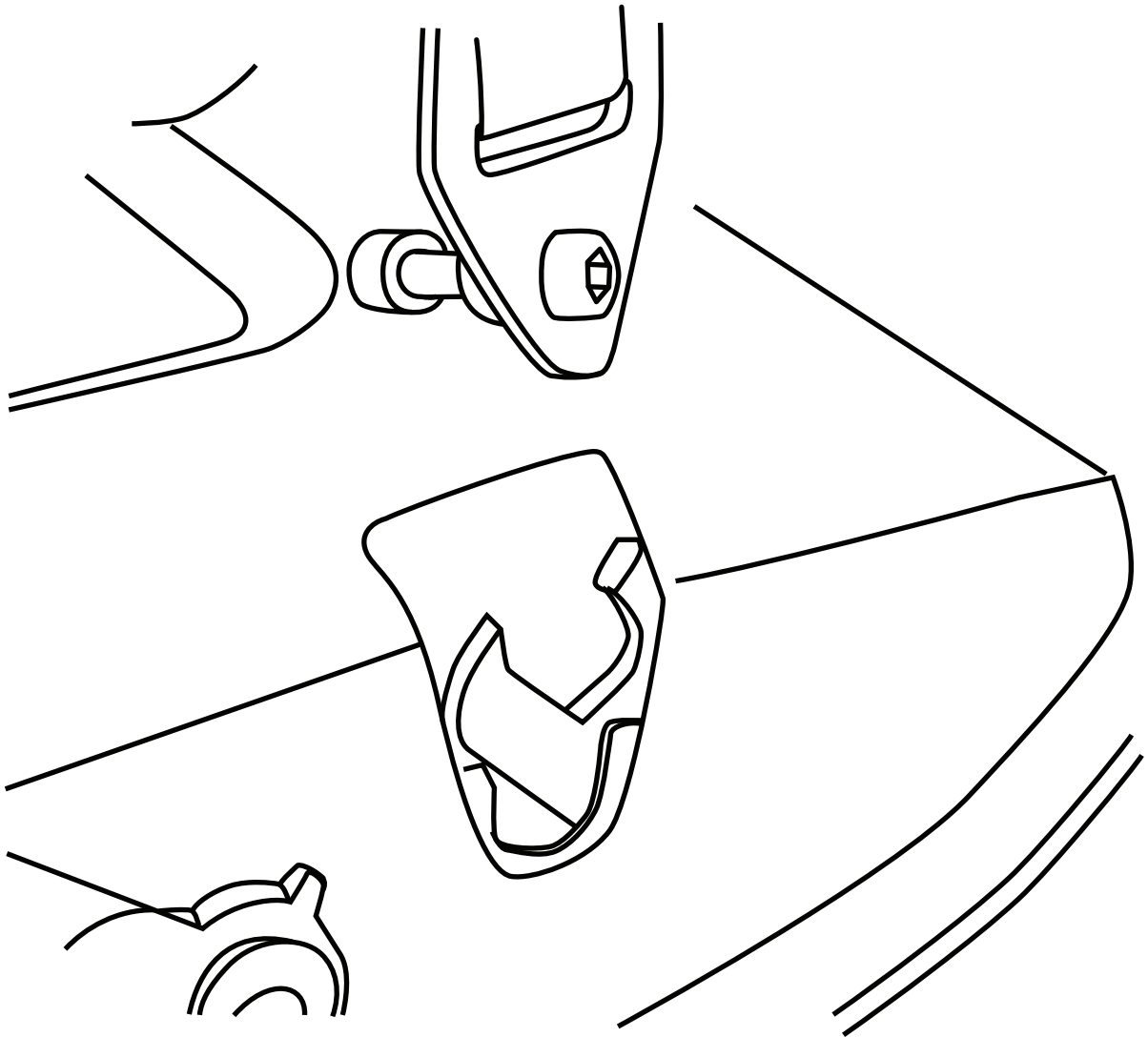
**NOTE:** Do not over tighten as this may strip out. Fastener will reach a noticeable stopping point.

8

Adjust Strap Buckles to lock into the tailgate when BEDXTENDER is deployed. Your assembly is now complete.



9



When the BEDXTENDER is at the furthest rear position, push down on the buckle to insert into tailgate latch. Tighten straps. To release, pull tailgate handle.



## BEDXTENDER HD™ OPERATION

With the tailgate open, place BEDXTENDER pivot pins into the left and right mounting brackets. Rotate to 45 until it drops into place, then lower onto the open tailgate.



Flip BEDXTENDER out to contain cargo in the truck bed when the tailgate is open. CAUTION! 200lb maximum load on open tailgate. Always distribute cargo evenly and properly secure inside bed. Do not secure cargo to the BEDXTENDER or the tailgate.



Before driving, secure BEDXTENDER by locking the provided strap buckles into the truck's tailgate latches. To release, pull tailgate handle. NOTE: Ensure that both buckles are properly locked into the latches by pulling up on each strap.



Flip BEDXTENDER forward and close the tailgate to keep smaller cargo safe and organized.

## WARNING

Be sure to read and precisely follow the provided instructions when installing this product. Failure to do so could place the vehicle occupants in a potentially dangerous situation. After installing or reinstalling, re-check to insure that the product is properly installed.



The material that your product is made from can be recycled. Please also consider recycling the packaging that your product came in.

