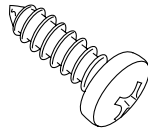
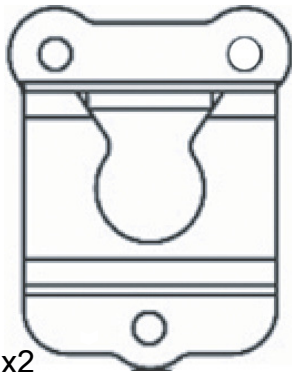


UNIVERSAL MOUNTING BRACKET INSTALLATION

PART # 74604-01A



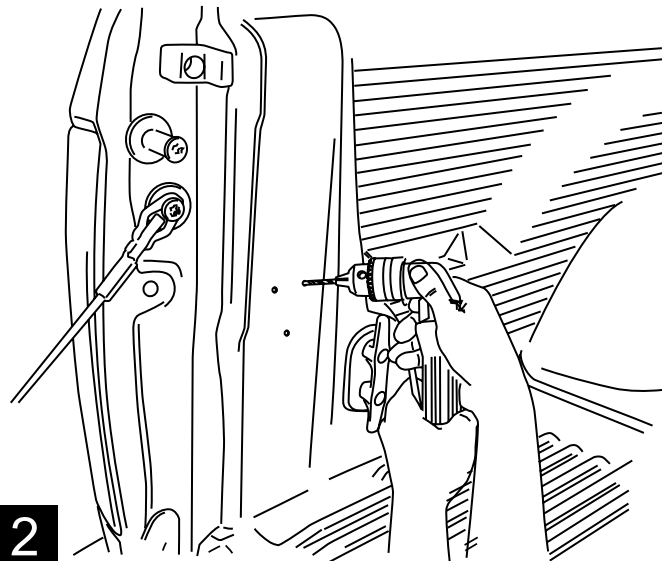
1 x2
Universal mounting bracket

2 x6
Phillips head screw

Cut out supplied template and tape to the D-pillar as shown. Using a center punch, mark holes as specified by the template.

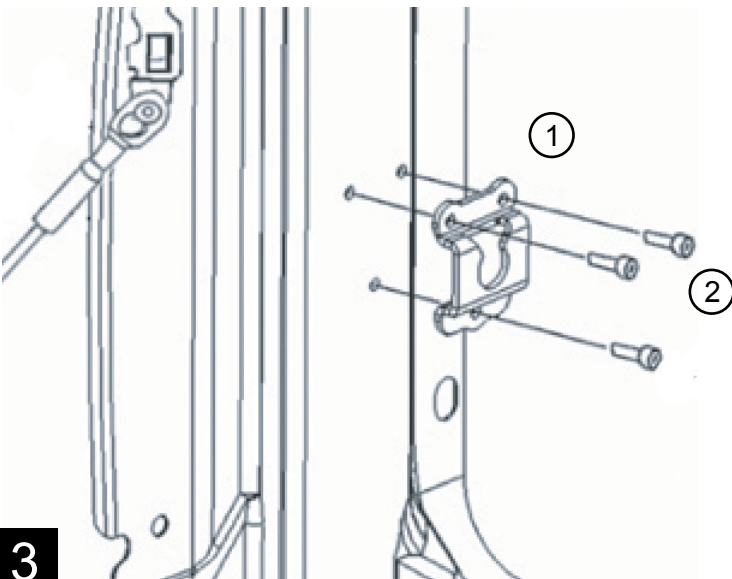


1



2

Using a power drill and 9/64" drill bit, drill through the sheet metal. If equipped with a bedliner, drill through bedliner.



3

Fasten mounting brackets using the supplied self-tapping Phillips screws and torque to 30 in. lbs. If equipped with a bedliner, install mounting brackets over bedliner.

NOTE: If bedliner has contours that may prohibit a flat, solid mounting surface, cut out a rectangular section to clear the bracket and mount the bracket directly to the metal D-pillar.