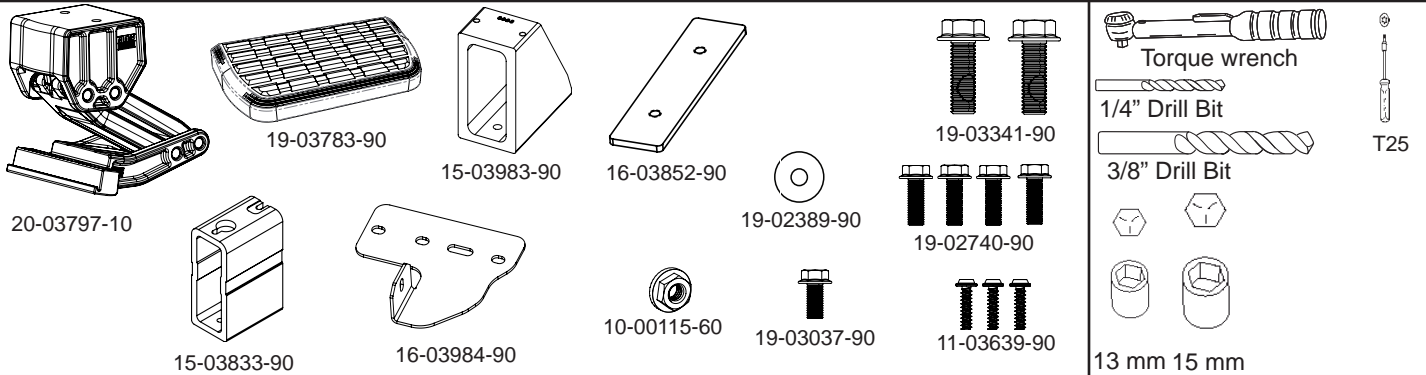


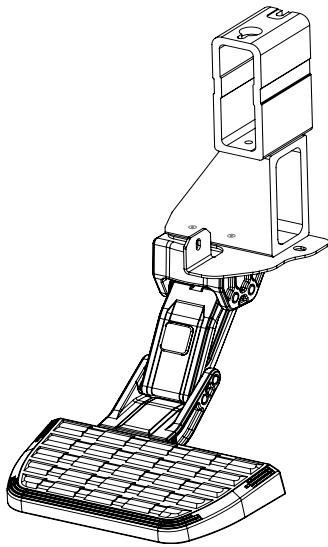
# AMP RESEARCH BedStep 2™

Dodge Ram DS  
 2500 (2014)  
 3500 (2014) Excludes dually w 8' Bed

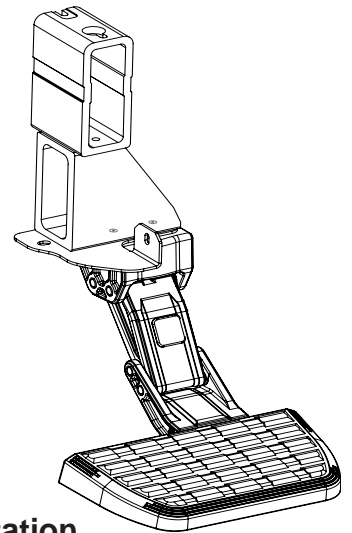
PART NUMBER:  
 75411-01A



For 6.5' bed length components must be configured for Passenger or Drivers-Side as shown.

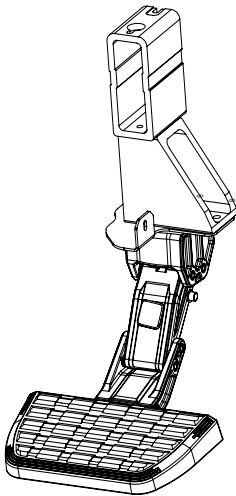


Driver-Side Orientation

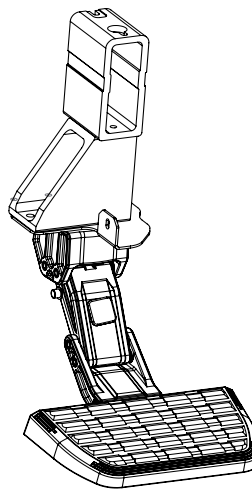


Passenger-Side Orientation

For 8' bed length components must be configured for Passenger or Drivers-Side as shown.



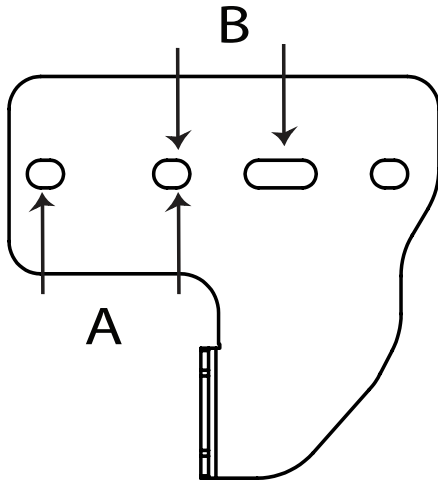
Driver-Side Orientation



Passenger-Side Orientation

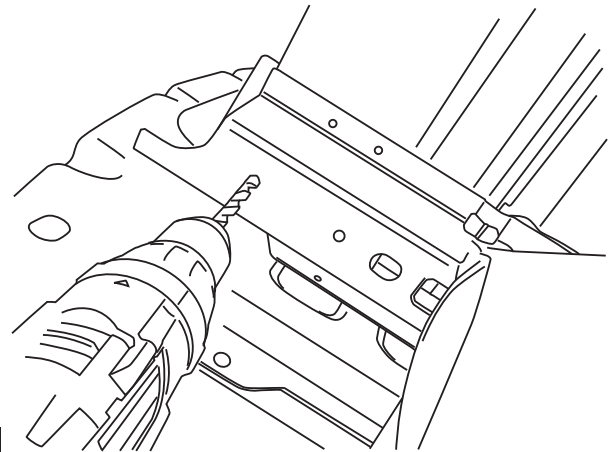
1

Hole set A is to be used on 6.5' and 8' beds  
Hole set B is to be used on 5.5' beds.



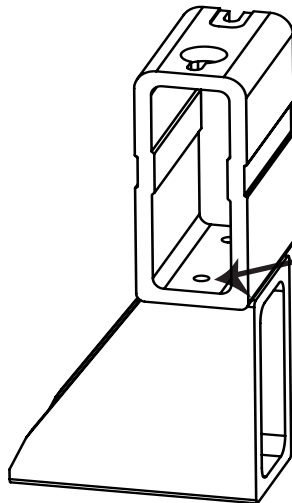
2

Use supplied drill template (See page 5) and mark holes in front bed channel mount. Pre drill holes using 1/4" drill bit. Next drill hole to 3/8".



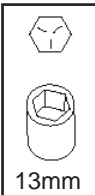
3

Using a 13mm Socket assemble the frame mount . Torque bolts to 16 ft-lbs.



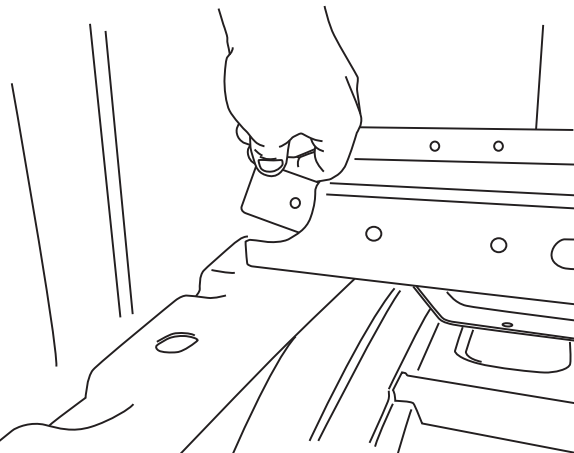
**NOTE: DRIVER SIDE SHOWN. MIRROR FOR PASSENGER SIDE.**

4

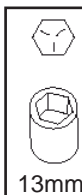


13mm

Slide threaded plate into bed channel and line up threaded locations to pre drilled holes.

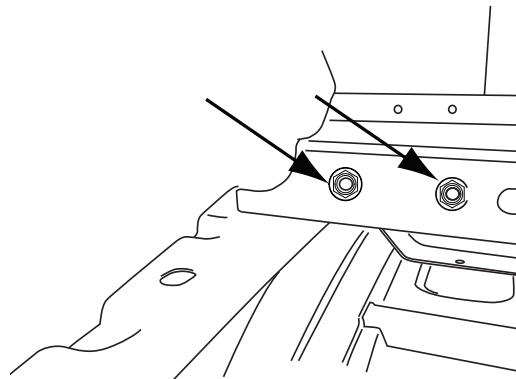


5



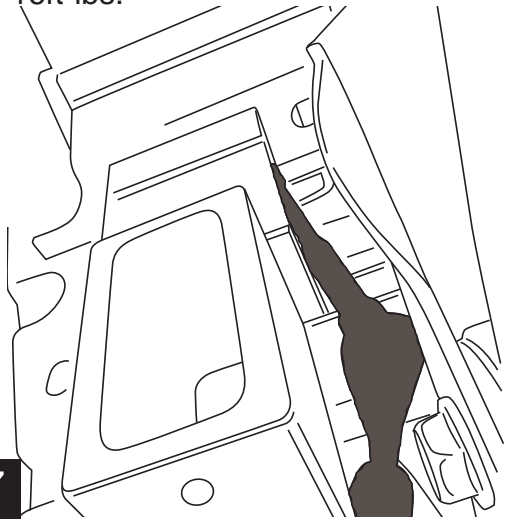
13mm

Thread screws into threaded plate. Allow room for frame mount to slide up into position.

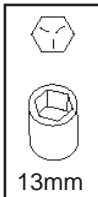


6

Using a 13mm Socket with extension, slide linkage assembly into slots in frame mount. Torque to 16ft-lbs.

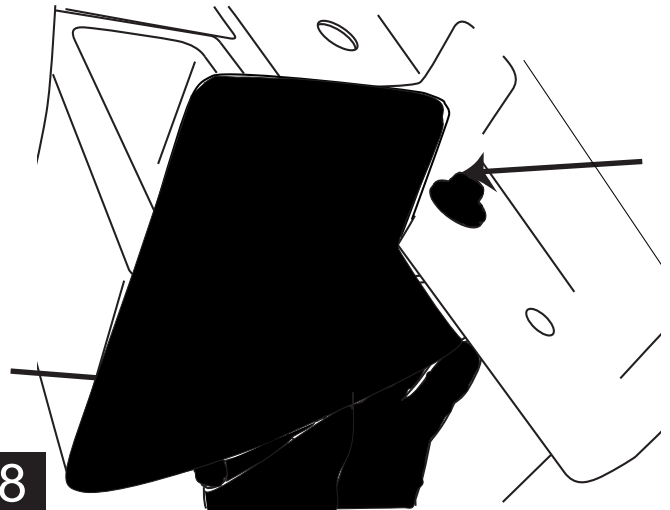


7



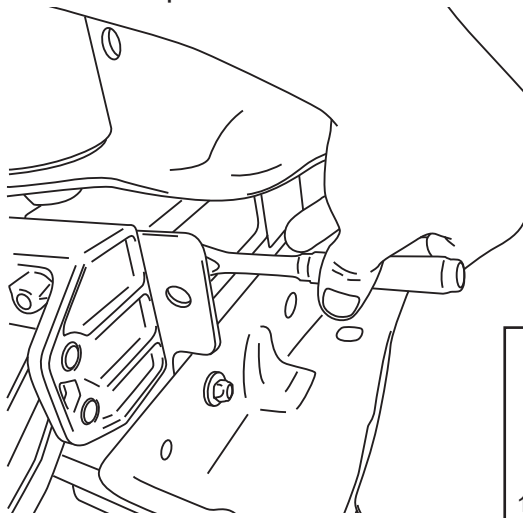
13mm

Set bolts into lower lateral mount. Set bracket into place and use provided hardware to bolt bracket to inner bed brace.

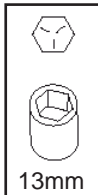


8

Set linkage into position, tighten bolts using 15mm Socket. Torque to 20 ft-lbs.

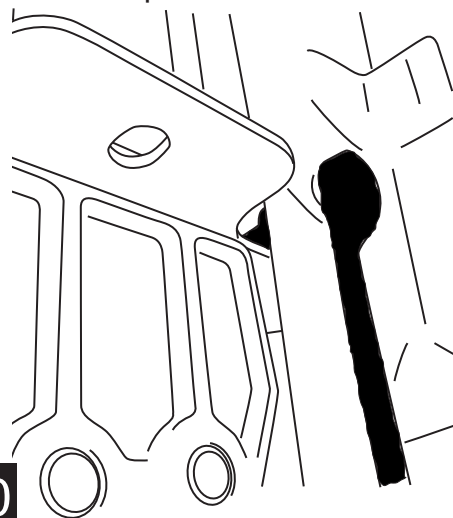


9

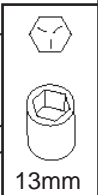


13mm

Tighten bracket bolt with 13mm socket and wrench. Torque to 16 ft-lbs.

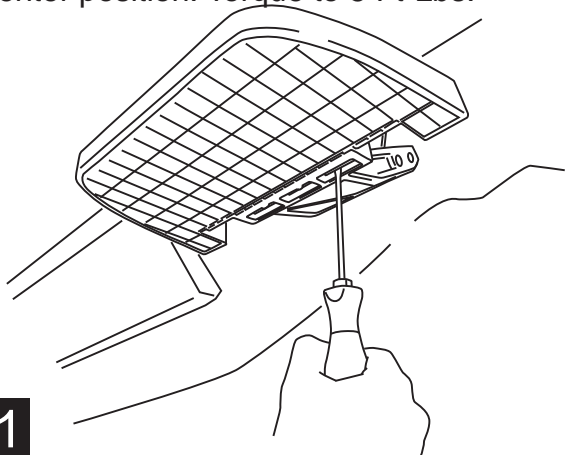


10



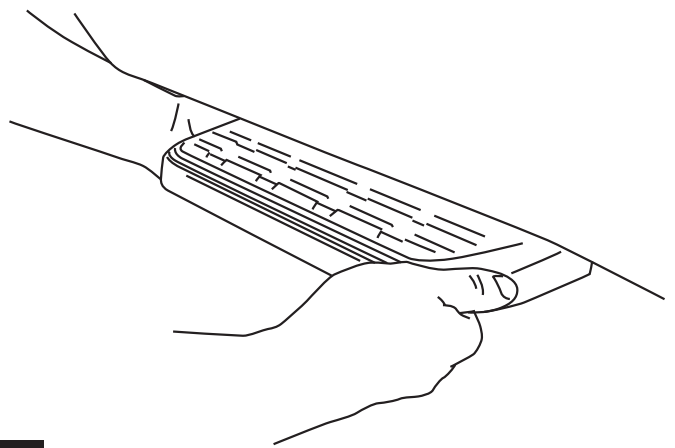
13mm

Locate the step pad in the following positions per application. Crew Cab 1500 offset step pad rearward. All other applications mount step pad in center position. Torque to 5 Ft-Lbs.



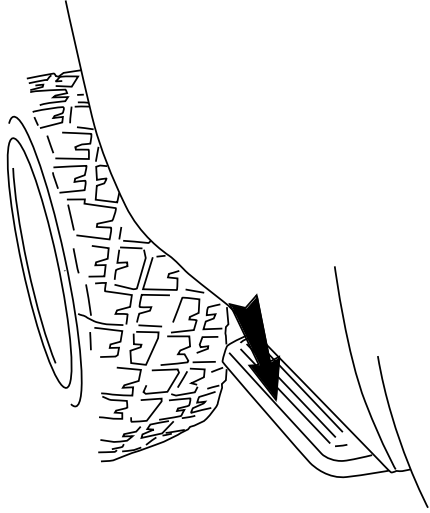
11

Verify step pad alignment to body line of vehicle.



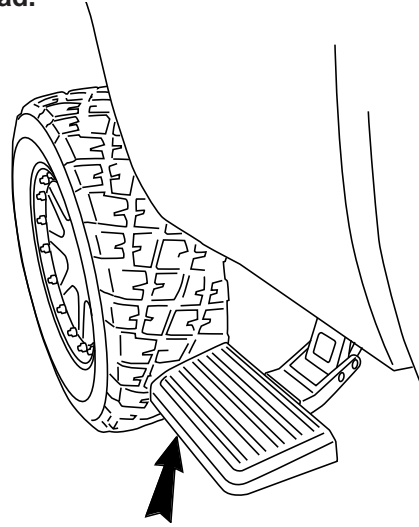
12

To deploy the step, press down using your foot on the outside edge of the step pad.



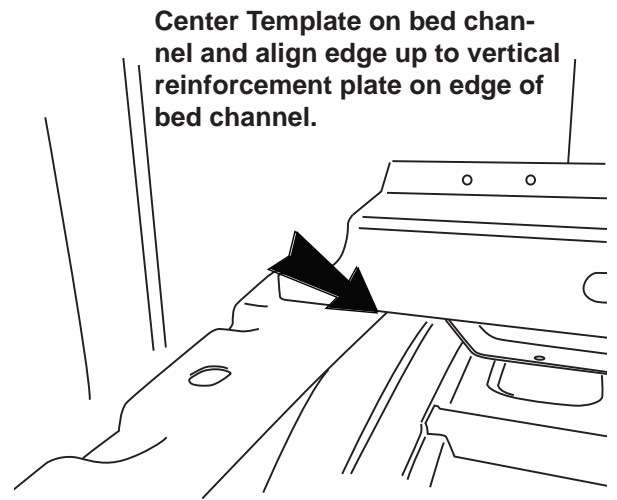
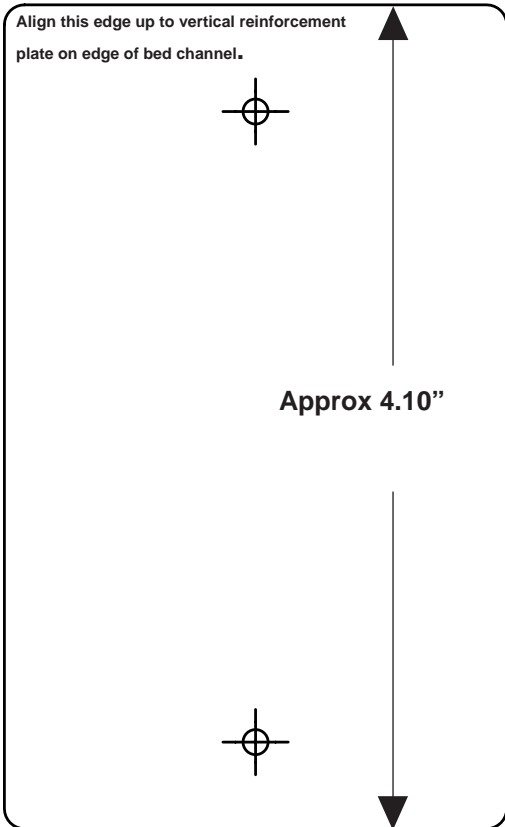
13

To retract, gently kick up on the underside of the step pad.



14

**Template for Step 3 on page 2.**





## BEDSTEP2™ OPERATION

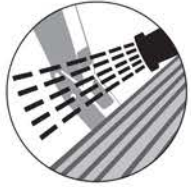
The AMP Research BedStep2™ is foot operated and deploys and retracts with a nudge of your foot. To deploy, press down using your foot, on the outside edge of the step pad.

Maximum load capacity of the deployed step pad is 300 lbs.

Always use appropriate hand holds when stepping up to or down from your truck's cargo bed.



To retract, gently kick up on the underside of the step pad.



**MAINTENANCE TIPS** - The stepping surface and linkage should be periodically washed with mild soap and water using a soft brush or sponge to dislodge any mud, dirt or accumulated road grime.

**In severe driving conditions, pressure washing the linkage is strongly recommended.**

Do not apply silicone spray, waxes or protectants like Armor All® to the stepping surfaces.

**CAUTION! BEDSTEP2™ SHOULD ALWAYS BE STOWED IN THE RETRACTED POSITION WHEN DRIVING.**