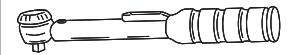
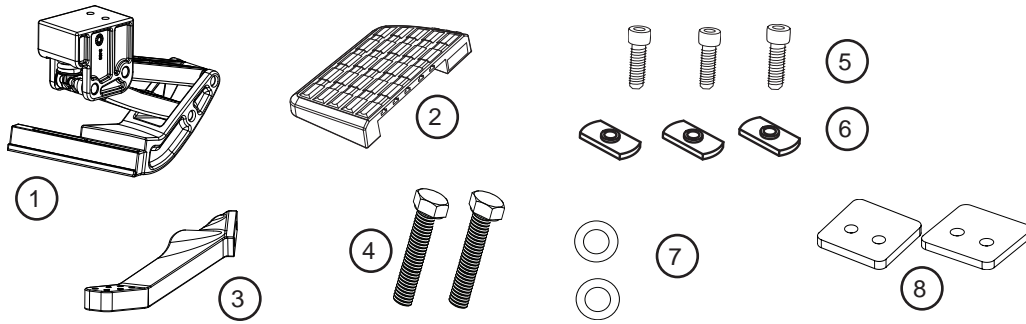


# AMP RESEARCH BedStep<sup>®</sup>

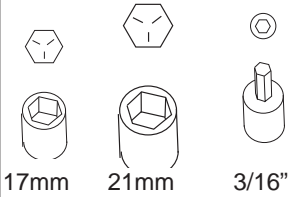
MADE IN USA

Ford Super Duty F-250  
F-350 F-450 1999 - 2016

PART NUMBER:  
AMP 75303-01A



Torque wrench

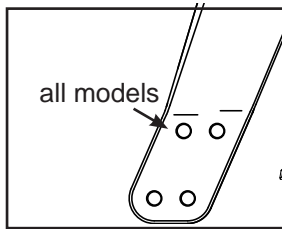


17mm

21mm

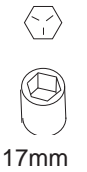
3/16"

If **Step pad** contacts bumper, use provided spacers.



all models

33 ft-lbs / 44 Nm

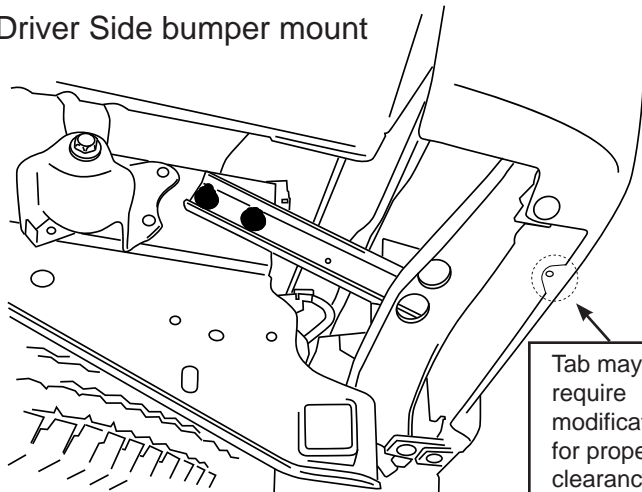


17mm

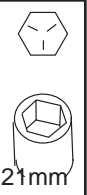
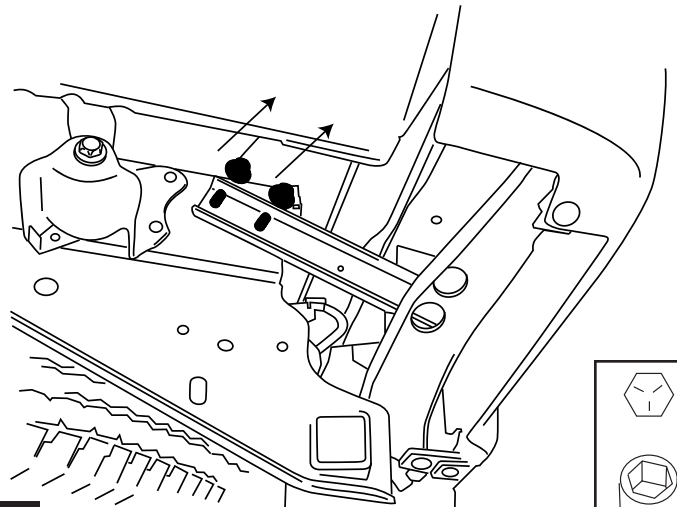
1

2

Driver Side bumper mount



Tab may require modification for proper clearance. Not on all vehicles.

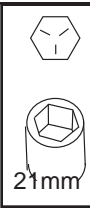
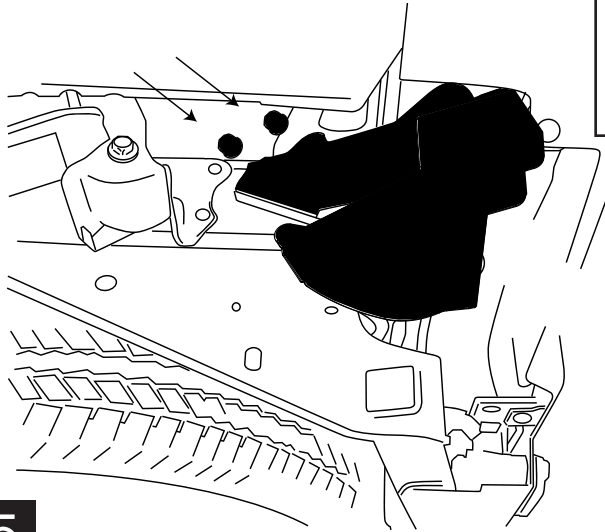


21mm

3

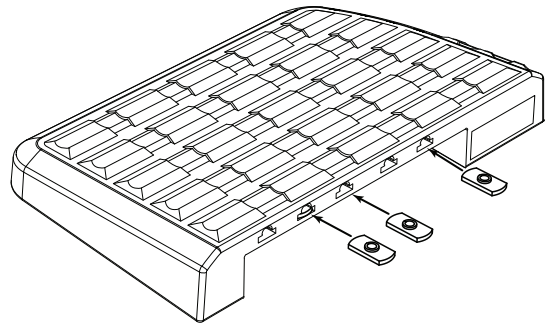
4

80 ft-lbs / 108 Nm

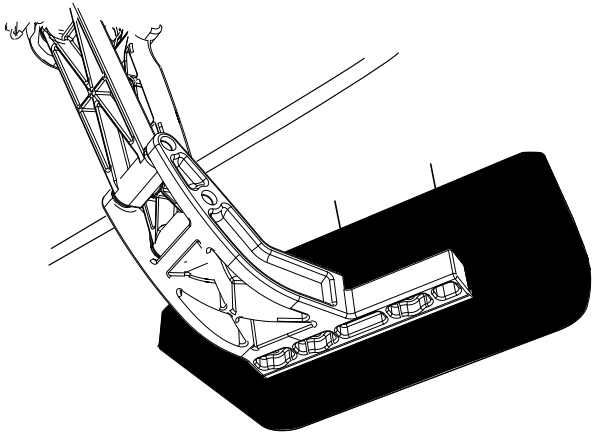


21mm

5

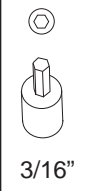
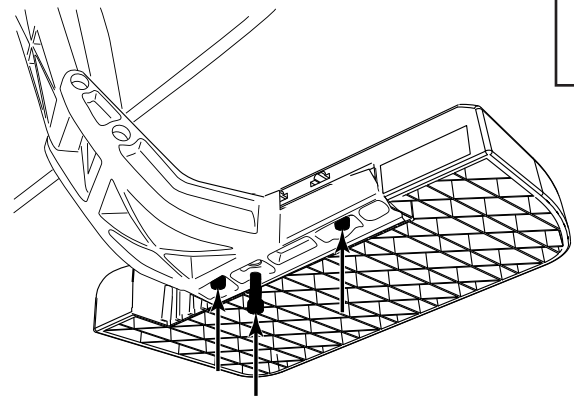


6



7

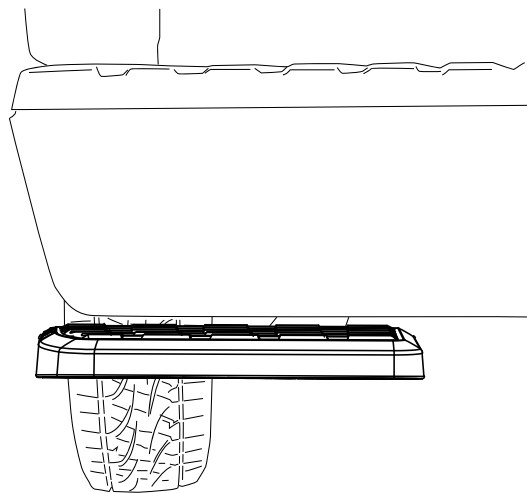
6 ft-lbs / 8 Nm



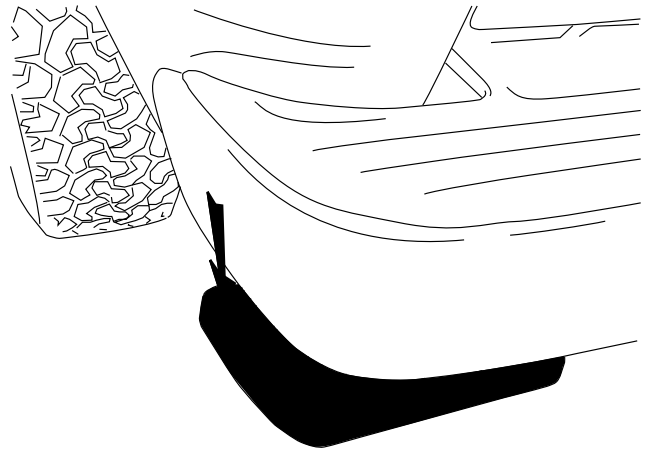
3/16"

8

NOTE: Overtightening may damage step pad



9



10