

# AMP RESEARCH BedXTender HD™

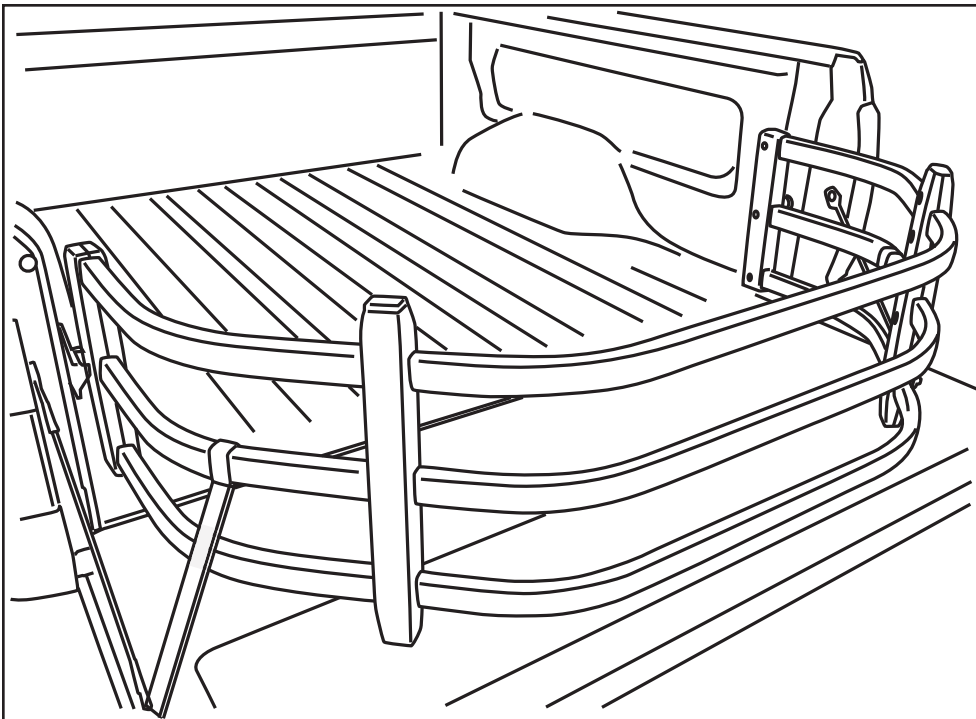
MADE IN USA

**APPLICATION**

Deep Bed Truck (F-150 & Tundra)  
 Large Truck, Universal (Full-size trucks, wide beds)  
 Small Truck, Universal (Mid-size and small trucks, small beds)  
 Narrow Truck, Universal (Flairside beds)

**PART #**

74803-00A (Silver)      74803-01A(Black)  
 74804-00A (Silver)      74804-01A(Black)  
 74801-00A (Silver)      74801-01A(Black)  
 74802-00A (Silver)      74802-01A(Black)



**BEDXTENDER HD™ shown assembled and installed on truck.**

Remove contents from box and check for damage.  
 Verify all parts against parts list.  
 Read and understand instructions completely before attempting assembly and installation.

**INSTALLATION TIME**

1 Hour

**SKILL LEVEL**



1= Easy

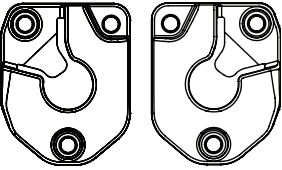
**TOOLS REQUIRED**

- Phillips screw driver
- Torx T-25 driver
- Power drill
- 9/64" drill bit
- Center punch
- Supplied templates
- Soapy Water

PARTS LIST AND HARDWARE IDENTIFICATION

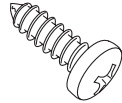
① x2

74608-01A  
Quick Mount  
Bracket Set



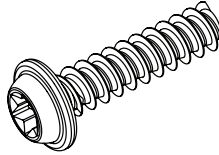
② x6

20-01998-90  
Phillips head  
screw  
(included in 74608-01A)



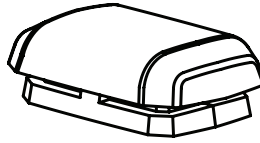
③ x12

11-03639-90  
PT-Screw



④ x4

20-03654-90  
Bumper



⑤ x2

80-01671-93  
Strap Buckle Assembly



⑥ x2

Silver: 20-74801-00A (Small)  
Black: 20-74801-01A (Small)  
Silver: 20-74802-00A (Narrow)  
Black: 20-74802-01A (Narrow)  
Silver: 20-74803-00A (Deep)  
Black: 20-74803-01A (Deep)  
Silver: 20-74804-00A (Large)  
Black: 20-74804-01A (Large)

Pivot Upright Assembly

⑦ x2

20-3664B-90 (Small/Narrow)  
20-3640B-90 (Large/Deep)  
Bumper Upright Outer



⑧ x2

20-3664A-90 (Small/Narrow)  
20-3640A-90 (Large/Deep)  
Bumper Upright Inner



⑨

12-03791-53SP (Large/ Deep Silver)  
12-03791-53BP (Large/Deep Black)  
12-03791-48SP (Small Silver)  
12-03791-48BP (Small Black)  
12-03791-45SP (Narrow Silver)  
12-03791-45BP (Narrow Black)

Double Bend Center Tube (With AMP Logo)



⑩ x2

12-03791-53S (Large/ Deep Silver)  
12-03791-53B (Large/Deep Black)  
12-03791-48S (Small Silver)  
12-03791-48B (Small Black)  
12-03791-45S (Narrow Silver)  
12-03791-45B (Narrow Black)

Double Bend Center Tube (Without AMP Logo)



⑪ x2

Strap latch insert

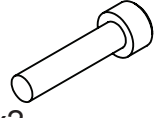
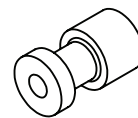
**Kit number 74603-01A**

*(Only provided on  
Deep Bed/Small kits)*

⑫ x2

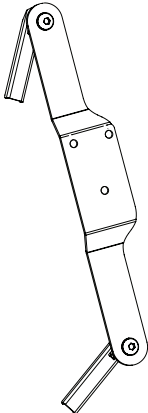
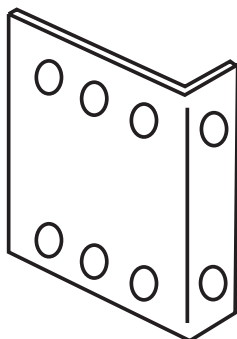
Socket cap screw

*(Only provided on  
Deep Bed/Small kits)*

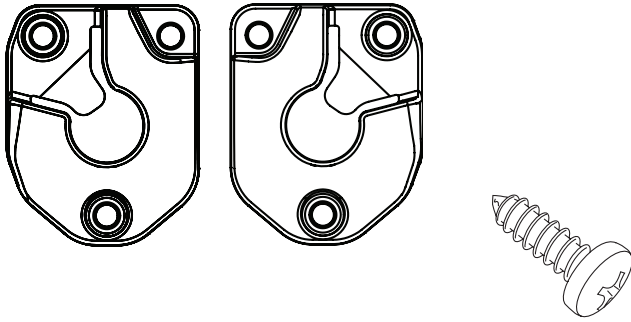


AMP RESEARCH BEDXTENDER HD™

ADDITIONAL MOUNTING KITS

	DESCRIPTION	APPLICATION	PART #
	<p>No-Drill Mounting Bracket Kit – Ford F-Series</p> <p>OPTIONAL</p>	<p>2004+ F-150 2008+ F-250 2008+ F-350</p>	<p>10-74602-01A</p>
	<p>L-Bracket Mounting Kit</p> <p>REQUIRED ON SOME APPLICATIONS TO COMPLETE INSTALLATION</p>	<p>GM S-Series Mazda B-Series Nissan Pickup Toyota Pickup (Pre 2005 models)</p>	<p>10-74601-01A</p>

## UNIVERSAL MOUNTING BRACKET INSTALLATION



1 x2

Quick Mount  
Bracket

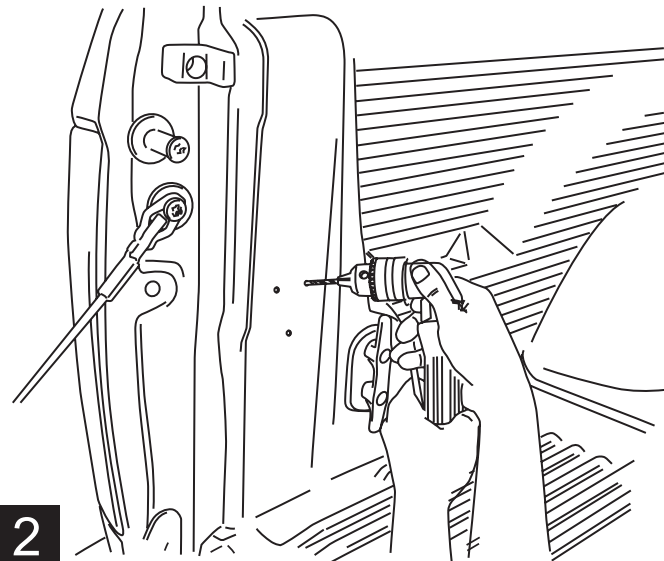
2 x6

Phillips head  
screw

Cut out supplied template and tape to the D-pillar as shown. Using a center punch, mark holes as specified by the template.

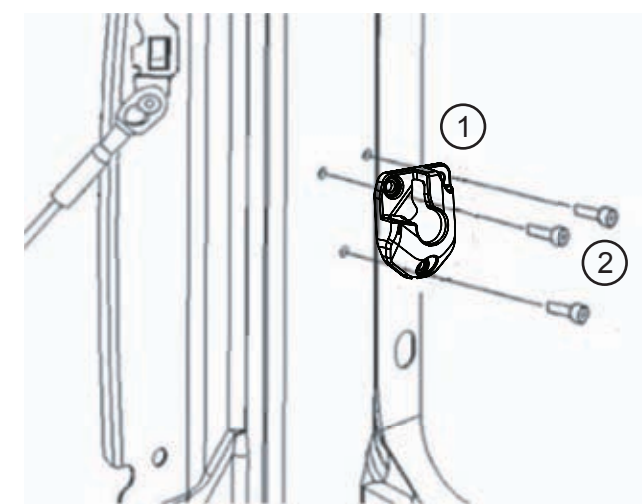


1



2

Using a power drill and 9/64" drill bit, drill through the sheet metal. If equipped with a bedliner, drill through bedliner.



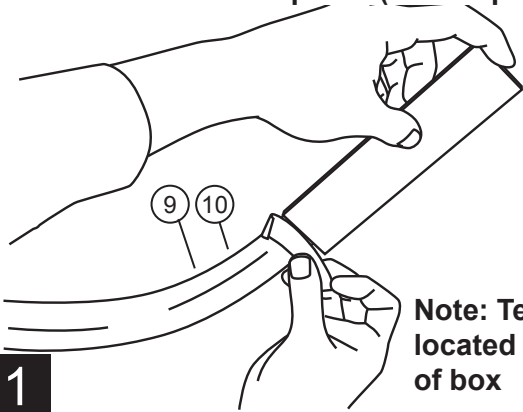
3

Fasten mounting brackets using the supplied self-tapping Phillips screws and torque to 30 in. lbs. If equipped with a bedliner, install mounting brackets over bedliner.

NOTE: If bedliner has contours that may prohibit a flat, solid mounting surface, cut out a rectangular section to clear the bracket and mount the bracket directly to the metal D-pillar.

BED X-TENDER ASSEMBLY

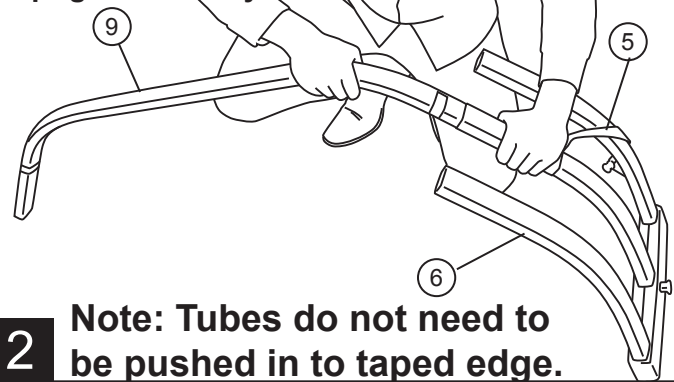
Using template measure 7" from each end of the three long tubes and mark with tape. **Tape is to be used as a reference point. (See step 6)**



**Note: Template located on inside of box**

**1**

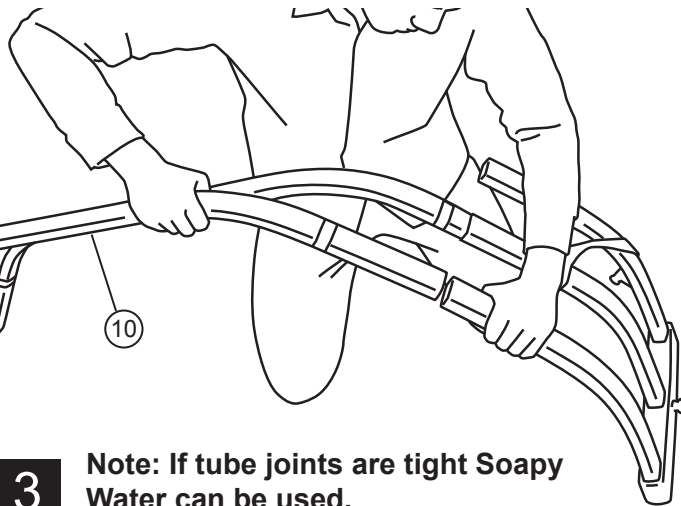
Slide the center tube (With Amp logo) into the center tube of the 3-tube assembly. **Be sure to slide on Strap Buckle Assembly to center tube of Pivot Upright Assembly**



**Note: Tubes do not need to be pushed in to taped edge.**

**2**

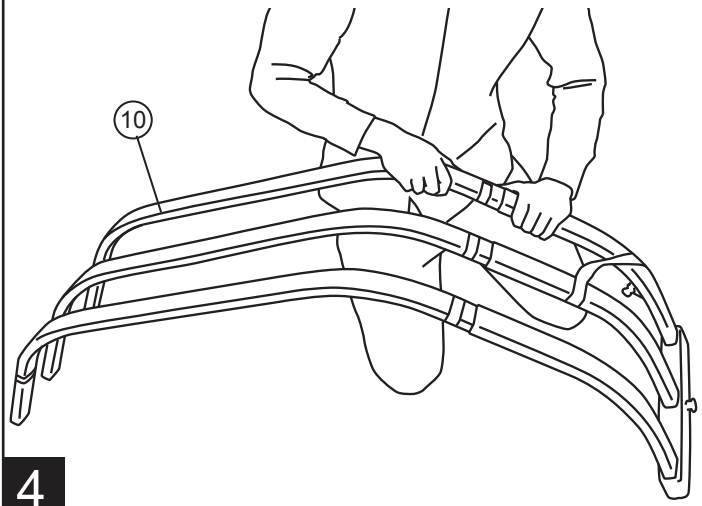
Insert the top long tube into the top tube of the 3-tube assembly.



**Note: If tube joints are tight Soapy Water can be used.**

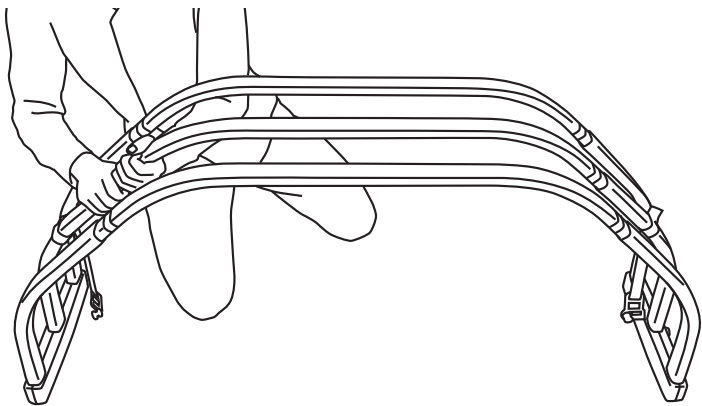
**3**

Insert the bottom long tube into the bottom tube of the 3-tube assembly.



**4**

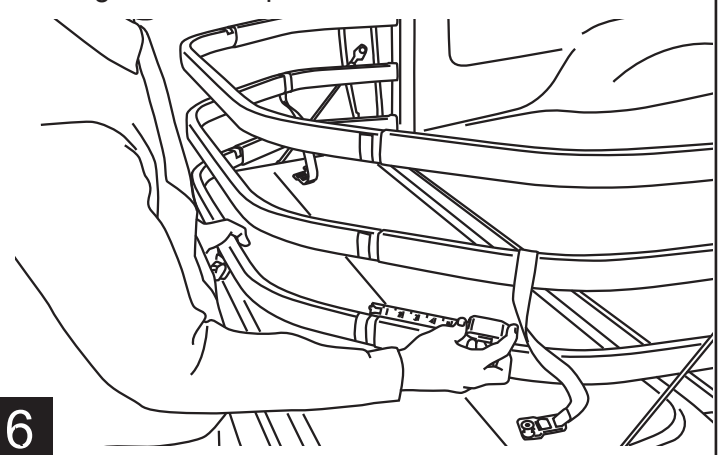
Repeat for the other side.



**Note: Install Strap Buckle Assembly to center tube of Pivot Upright Assembly.**

**5**

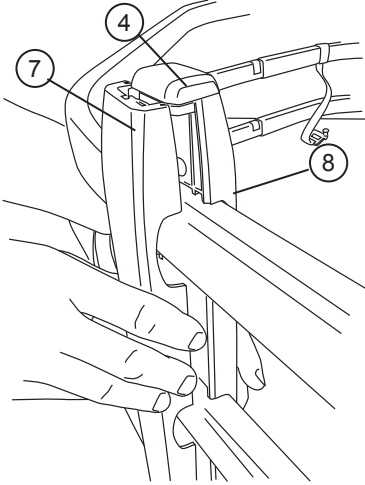
Adjust the width of the BEDXTENDER to fit the pre-installed mounting brackets. To keep tube overlap constant, adjust each tube so that the gap between the edge and the tape is the same.



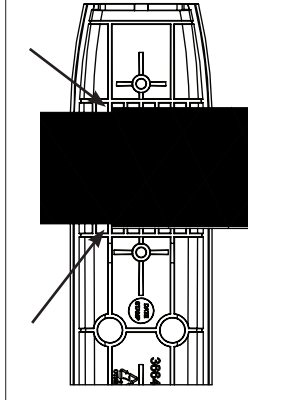
**6**

## BED X-TENDER ASSEMBLY – CONTINUED

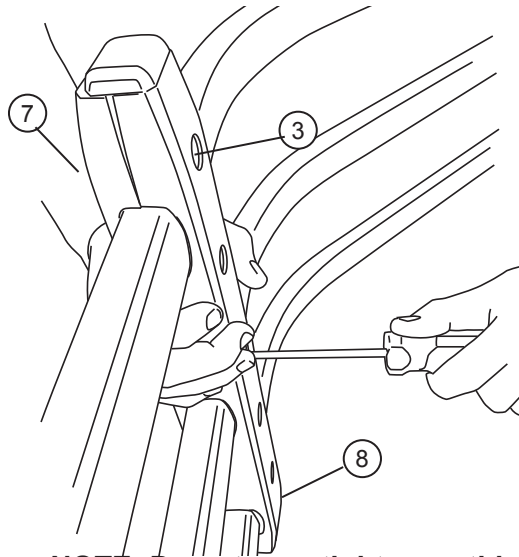
Attach plastic upright around the tube juncture, placing rubber bumpers into the two ends of the upright.



*Upright is not positioned in center of tube joint.*



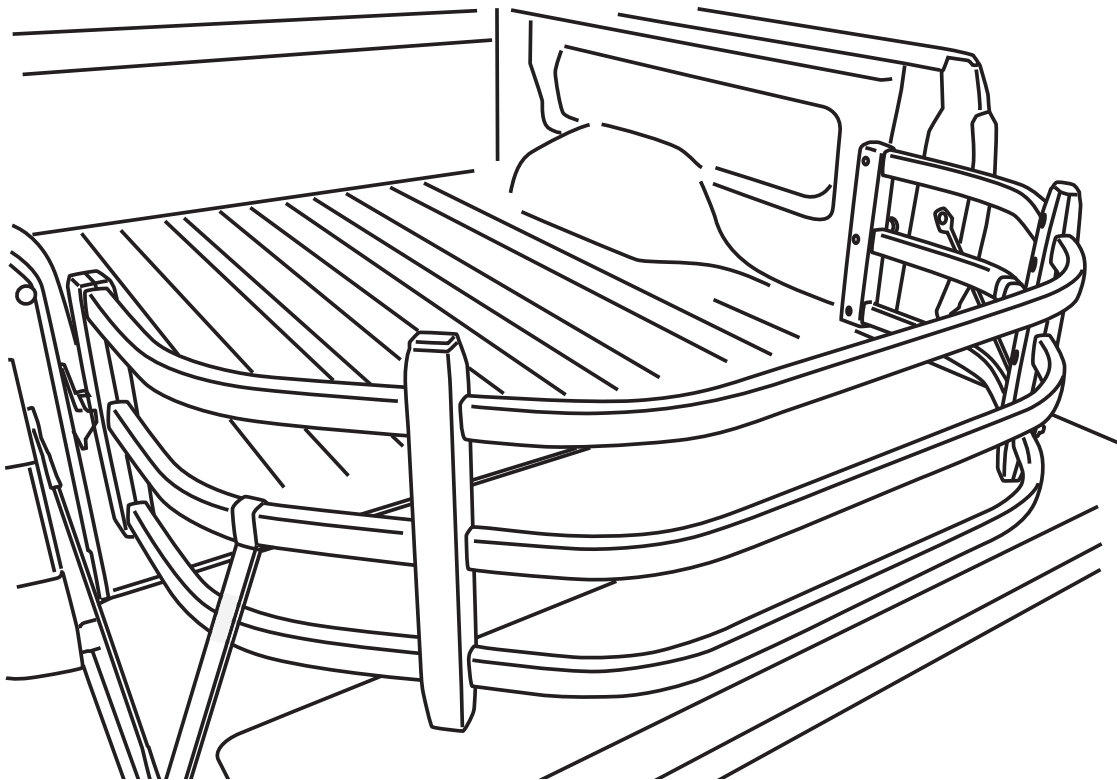
Tighten PT-Screws using a T-25 torx driver, starting in the middle of each upright, then the outer screws and lastly the remaining two to evenly tighten.



**7** **NOTE:** The inside of the upright is stepped to fit correctly around the small and large diameter tubes.

**8** **NOTE:** Do not over tighten as this may strip out. Fastener will reach a noticeable stopping point.

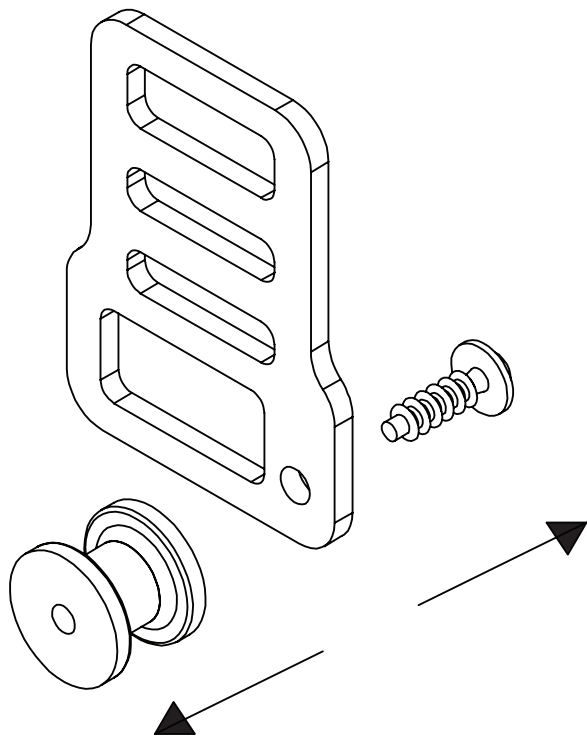
Adjust Strap Buckles to lock into the tailgate when BEDXTENDER is deployed. Your assembly is now complete.



**9**

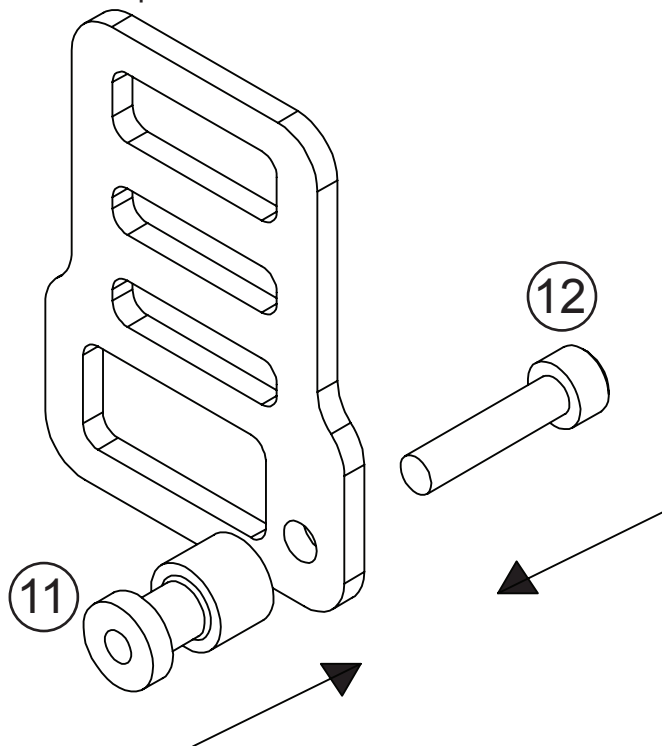
**For Toyota applications the supplied Strap Buckle Insert must be used.**

Remove the PT-Screw with a T20 Torx driver.

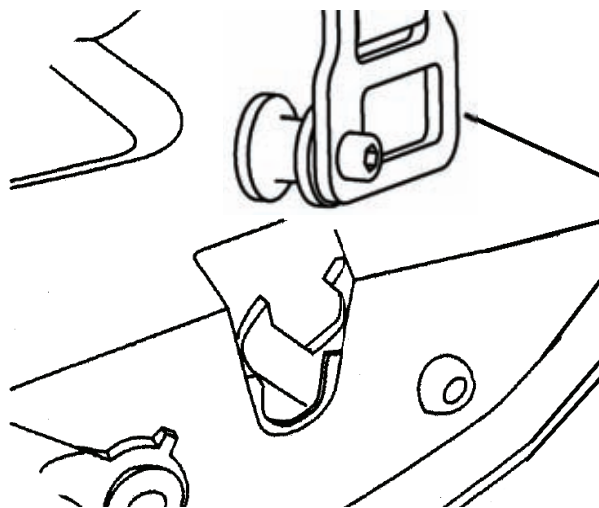


10

Install Strap Buckle Insert with the provided 10/32 x 7mm socket head cap screw with a 4mm hex key. Repeat for other strap.



11



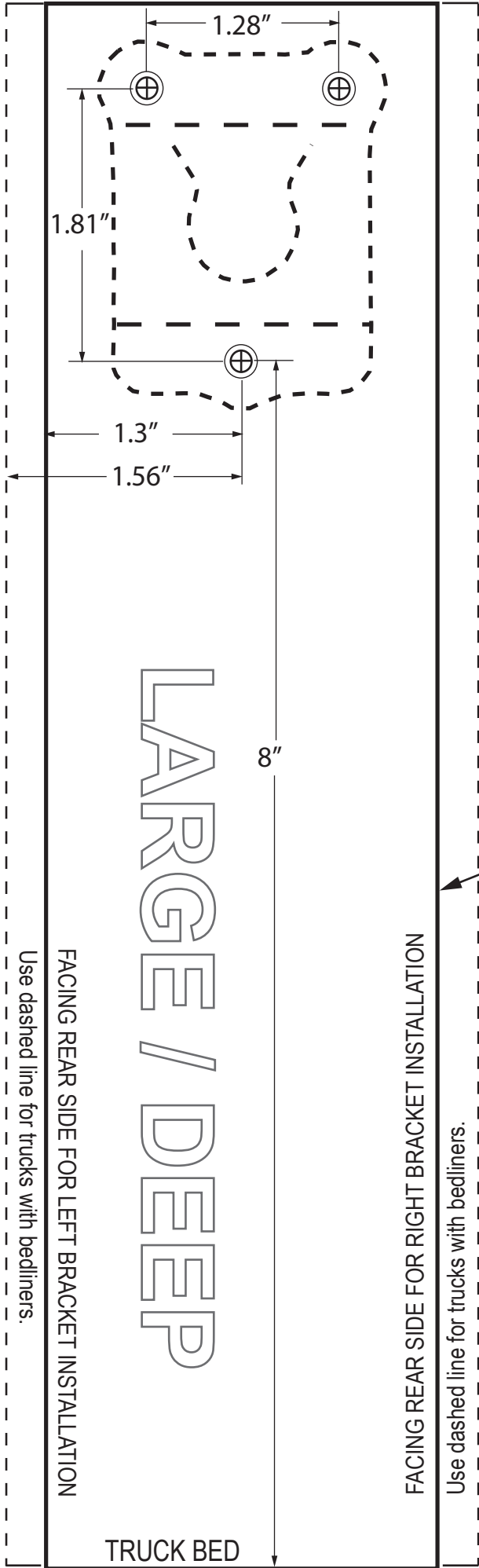
When the BEDXTENDER is at the furthest rear position, push down on the buckle to insert into tailgate latch. Tighten straps. To release, pull tailgate handle.

NOTE: Ensure that buckles are properly inserted into latches by pulling on the straps after both buckles have been inserted.

12

# Drill template for BEDXTENDER HD™ mounting brackets

NOTE: FOR TRUCKS WITH BEDLINERS, USE THIS TEMPLATE ON TOP OF BEDLINER. DO NOT CUT BEDLINER!



Drill template for BEDXTENDER HD™ mounting brackets

Cut or fold along solid lines.  
(Dashed lines for trucks with bedliners.)

