

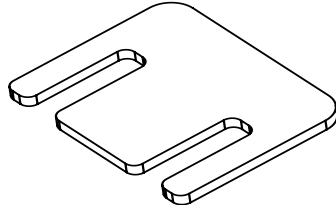


BedStep[®]

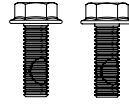
MADE IN USA

Chevy Silverado / GMC Sierra
Dually Upgrade Kit

PART NUMBER:
74610-01A

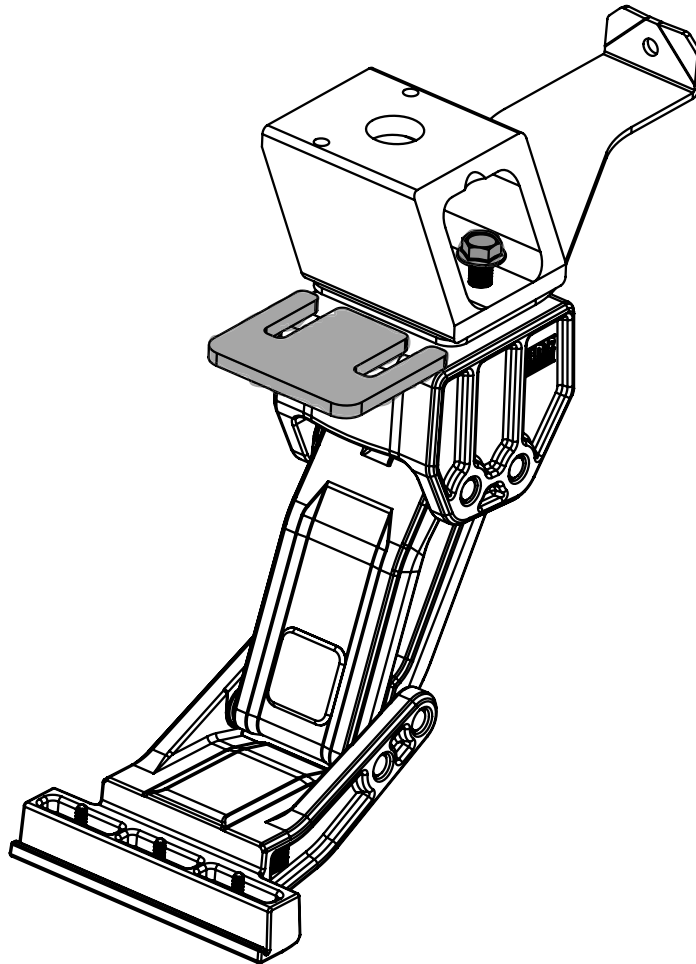


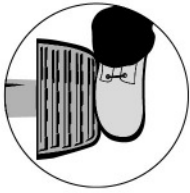
15-03834-90



19-03836-90

For Dually applications install spacer between linkage assembly and frame bracket. Use supplied M10x40 bolts. **Do not tighten bolts yet. Continue with installation provided with p/n 75400-01A.**



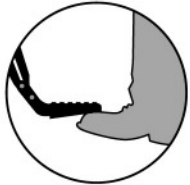


BEDSTEP2™ OPERATION

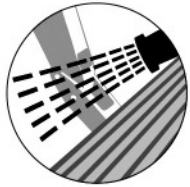
The AMP Research BedStep2™ is foot operated and deploys and retracts with a nudge of your foot. To deploy, press down using your foot, on the outside edge of the step pad.

Maximum load capacity of the deployed step pad is 300 lbs.

Always use appropriate hand holds when stepping up to or down from your truck's cargo bed.



To retract, gently kick up on the underside of the step pad.



MAINTENANCE TIPS - The stepping surface and linkage should be periodically washed with mild soap and water using a soft brush or sponge to dislodge any mud, dirt or accumulated road grime.

In severe driving conditions, pressure washing the linkage is strongly recommended.

Do not apply silicone spray, waxes or protectants like Armor All® to the stepping surfaces.

CAUTION! BEDSTEP2™ SHOULD ALWAYS BE STOWED IN THE RETRACTED POSITION WHEN DRIVING.