



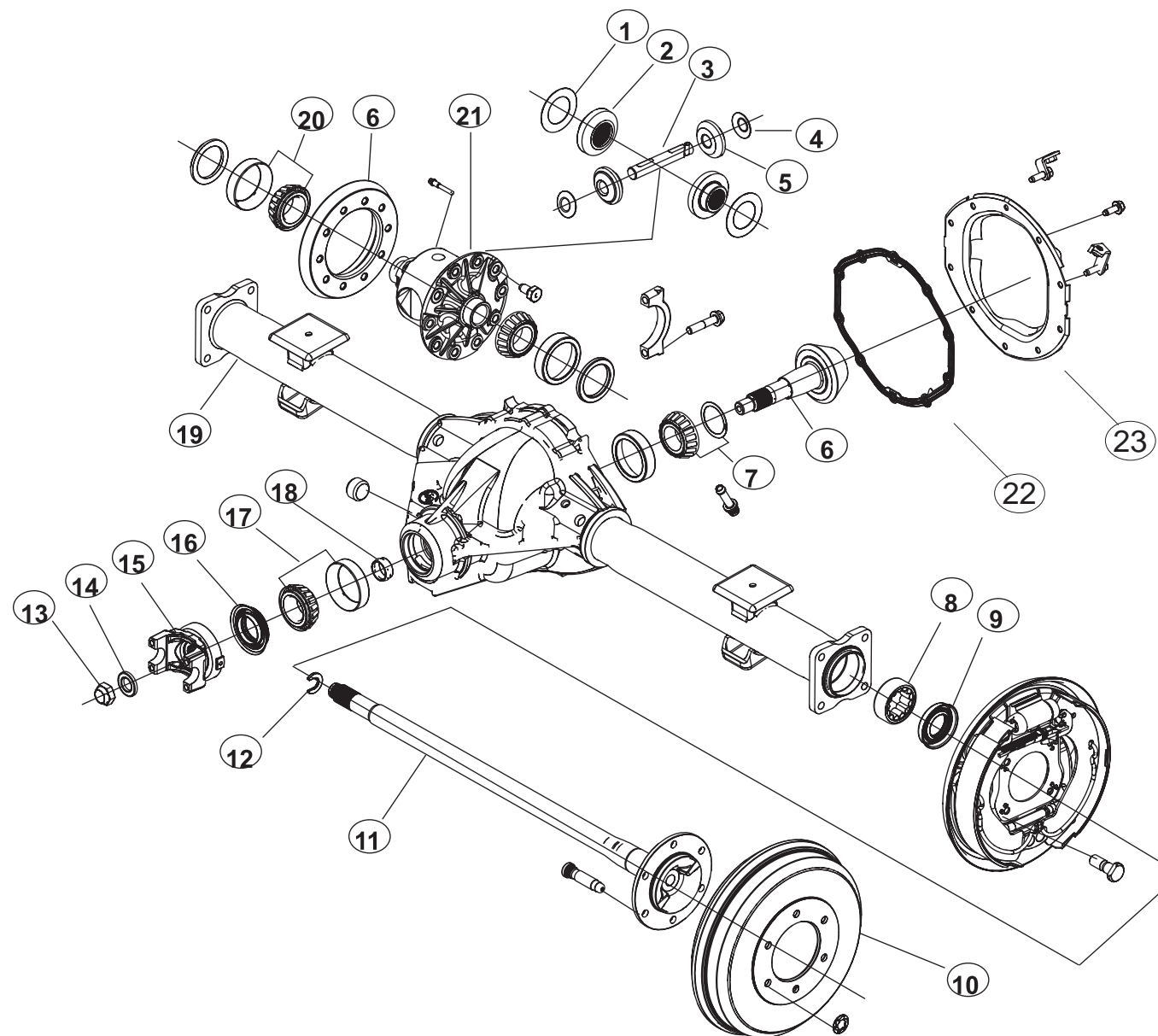
Demand the original.

Axle Components | Driveshaft Components | Repair Kits



AAM 800 10 BOLT

GM 8.0" REAR AXLE



ILL #	AAM PART NUMBER	OE PART NUMBER	DESCRIPTION	REQ	USAGE	MODEL YEAR
1	AVAILABLE IN KIT ONLY		SIDE GEAR THRUST WASHER	2	ST	2004+
2	AVAILABLE IN KIT ONLY		SIDE GEAR	2	ST	2004+
3	AVAILABLE IN KIT ONLY		PINION SHAFT	1	ST	2004+
3	AVAILABLE IN KIT ONLY		PINION SHAFT LOCK SCREW			
4	AVAILABLE IN KIT ONLY		PINION GEAR THRUST WASHER	2	ST	2004+
5	AVAILABLE IN KIT ONLY		PINION GEAR	2	ST	2004+
6	40001438	12471429	RING & PINION GEARSET (4.10 RATIO; 2 CUT)	1	ST	2004+
6	40001437	12471428	RING & PINION GEARSET (3.73 RATIO; 2 CUT)	1	ST	2004+
7	74003758	26053758	LARGE PINION BEARING ASM (CUP & CONE)	1	ST	2004+
8	40008157	12479031	ROLLER BEARING ASM	2	ST	2004+
9			AXLE SHAFT SEAL	2	ST	2004+
10			DRUM	2	ST	2004+
11	40016434	19133409	AXLE SHAFT - LEFT HAND (846 MM 28 TOOTH; 6 BOLT)	1	GMT 360	2002+
11	40016435	19133410	AXLE SHAFT - RIGHT HAND (798 MM 28 TOOTH; 6 BOLT)	1	GMT 360	2002+
11	40012450	12479338	AXLE SHAFT - RIGHT HAND (727 MM; 28 TOOTH; 6 BOLT; DRUM) 4X2	1	GMT 355	2003-2007
11	40012451	12479339	AXLE SHAFT - LEFT HAND (781 MM; 28 TOOTH; 6 BOLT; DRUM) 4X2	1	GMT 355	2003-2007
11	40012448	12479336	AXLE SHAFT - RIGHT HAND (757 MM; 28 TOOTH; 6 BOLT; DRUM)	1	ST	2004+
11	74022449	12479337	AXLE SHAFT - LEFT HAND (810 MM; 28 TOOTH; 6 BOLT) 4X4	1	GMT 355	2003-2007
11	40016447		AXLE SHAFT W/ STUDS - LEFT HAND (846 MM 28 TOOTH; 6 BOLT)	1	GMT 360	2004+
11	40016448		AXLE SHAFT W/ STUDS - RIGHT HAND (798 MM 28 TOOTH; 6 BOLT)	1	GMT 360	2004+
11	40045613	19208246	AXLE SHAFT - LEFT HAND (822 MM 28 TOOTH; 6 BOLT) 4X4	1	GMT 355	2008+
11	40045614	19208248	AXLE SHAFT - RIGHT HAND (768 MM 28 TOOTH; 6 BOLT) 4X4	1	GMT 355	2008+
12	74004171	344171	AXLE C LOCK	2	ST	2004+
13	74003762	9783762	PREVAILING TORQUE PINION NUT	1	ST	2004+
14	74007900	517900	PINION NUT WASHER	1	ST	2004+
15	40016324	12479331	PINION YOKE (1344 U-JOINT; 4 FOOTED)	1	ST	2004+
16	40006689	12471523	PINION SEAL	1	ST	2004+
17	74007784	9417784	SMALL PINION BEARING ASM (CUP & CONE)	1	ST	2004+
18	74005792	9785792	COLLAPSIBLE SPACER	1	ST	2004+
19			AXLE HOUSING		FOR REFERENCE ONLY	
20	74002361	26062361	DIFF. CASE BEARING ASM (CUP & CONE)	2	ST	2004+
21	40004296	12479021	DIFFERENTIAL OPEN CASE (WITHOUT INTERNALS)	1	ST	2004+
21	40004373	12479021	DIFFERENTIAL OPEN CASE ASSEMBLY (WITH INTERNALS)	1	S;T	2002+
22	40004267	12479020	RUBBER OVER METAL COVERPAN GASKET	1	ST	2002+
23	40051710	19177715	COVERPAN	1	ST	2002+

VEHICLE REFERENCE GUIDE

- S TRUCK - 2-WHEEL DRIVE MID-SIZE PICK-UPS AND BLAZERS - POSTAL TRUCKS 1982-1985
- T TRUCK - 4-WHEEL DRIVE MID-SIZE PICK-UPS AND BLAZERS



Demand the original.

Axle Components | Driveshaft Components | Repair Kits



AAM 800 10 BOLT

74010005 8.0" REAR 10 BOLT - MASTER INSTALL KIT

Colorado, Canyon, Trailblazer, Envoy, Rainier, Bravada

MODEL YEAR 2002 to Current

AAM PART #	O.E. PART #	DESCRIPTION	QTY
		SIDE SHIM	32
40061033		SERRATED RING GEAR BOLT W/ ADHESIVE	10
40002169		COVERPAN BOLT W/ ADHESIVE	10
40004267	12479020	RUBBER OVER METAL COVERPAN GASKET	1
40006690		PINION SEAL SLEEVE	1
		PINION SHIM	31
40001710		OUTPUT SEAL	2
40006689	12471523	PINION SEAL	1
74005792	9785792	COLLAPSIBLE SPACER	1
40060238		SPECIAL COVERPAN BOLT	1
74007900	517900	PINION NUT WASHER	2
74003762	9783762	PREVAILING TORQUE PINION NUT	1
74004171	344171	AXLE C LOCK	2

74067013 8.0" REAR 10 BOLT - MASTER BEARING KIT

Trailblazer, Envoy, Rainier, Bravada, Colorado, Canyon

MODEL YEAR 2002 to Current

AAM PART #	O.E. PART #	DESCRIPTION	QTY
	26061095	DIFF BEARING ROLLER	2
	26061096	DIFF BEARING RACE	2
74003762	9783762	PREVAILING TORQUE PINION NUT	1
74007900	517900	PINION NUT WASHER	1
	40006689	PINION SEAL	1
74005792	9785792	COLLAPSIBLE SPACER	1
	260553760	PINION HEAD BEARING ROLLER	1
	26053759	PINION HEAD BEARING RACE	1

GM 8.0" REAR AXLE

74046651 8.0" REAR 10 BOLT -28 TOOTH - DIFFERENTIAL GEAR KIT

Trailblazer, Envoy, Rainier, Bravada, Colorado, Canyon

MODEL YEAR 2004 to Current

AAM PART #	O.E. PART #	DESCRIPTION	QTY
		SIDE GEAR	2
		PINION THRUST WASHER	2
		PINION GEAR	2
		PINION SHAFT	1
		PINION SHAFT LOCK SCREW	1
		SIDE THRUST WASHER	2

74020005 8.0" 10 BOLT REAR - PINION SEAL KIT

Colorado, Canyon, Trailblazer, Envoy, Rainier, Bravada

MODEL YEAR 2000 to Current

AAM PART #	O.E. PART #	DESCRIPTION	QTY
40006689	12471523	PINION SEAL	1
74003762	9783762	PREVAILING TORQUE PINION NUT	1
74005792	9785792	COLLAPSIBLE SPACER	1
74003762	9783762	PREVAILING TORQUE PINION NUT	1
74007900	517900	PINION NUT WASHER	1

74050010 8.0" REAR - OUTPUT SHAFT SEAL KIT

Colorado, Canyon, Trailblazer, Envoy, Rainier, Bravada

MODEL YEAR 2002 to Current

AAM PART #	O.E. PART #	DESCRIPTION	QTY
40001710	12471686	OUTPUT SEAL	2
40016199		TONE RING	2
40008157	12479031	ROLLER BEARING ASM	2
74004171	344171	AXLE C LOCK	2

74030003 8.0" REAR 10 BOLT - COVERPAN KIT

Colorado, Canyon

MODEL YEAR 2002 to Current

AAM PART #	O.E. PART #	DESCRIPTION	QTY
40004267	12479020	RUBBER OVER METAL COVERPAN GASKET	1
40051710	19177715	COVERPAN	1
40002169		COVERPAN BOLT W/ ADHESIVE	10
40060238		SPECIAL COVERPAN BOLT	1

74030004 8.0" REAR 10 BOLT - COVERPAN KIT

Trailblazer, Envoy, Rainier, Bravada

MODEL YEAR 2002 to 2009

AAM PART #	O.E. PART #	DESCRIPTION	QTY
40004267	12479020	RUBBER OVER METAL COVERPAN GASKET	1
40027019	19177715	COVERPAN	1
40002169		COVERPAN BOLT W/ ADHESIVE	10