



# Demand the original.

Axle Components | Driveshaft Components | Repair Kits

## Axle Components

OE Quality Driveline Components  
Designed for Chrysler – RAM Products





# Demand the original.

Axle Components | Driveshaft Components | Repair Kits

Only original equipment quality components are guaranteed to meet the same specifications as the parts they replace. AAM components mean performance to the vehicle manufacturer's standards.

## Reliable

AAM products are designed for long-term reliability.

## Durable

Advanced processes ensure AAM products withstand the high usage demand of all applications.

## Quality

AAM products are manufactured to the highest-quality standards that customers demand.

## Performance

AAM products are engineered, manufactured and validated to meet OEM specifications and ensure ultimate performance.





## **TABLE OF CONTENTS**

OE Quality Replacement Parts  
Designed for Chrysler LLC. Products:

<b>AAM 925 Front Beam Axle - (14 Bolt)</b>	<b>2 – 9</b>
<b>AAM 1050 Rear Axle - (14 Bolt)</b>	<b>10 – 17</b>
<b>AAM 1150 Rear Axle - (14 Bolt)</b>	<b>18 – 21</b>
<b>Safety Information</b>	<b>22</b>



# Demand the original.

Axle Components | Driveshaft Components | Repair Kits

## SUMMARY CHART

## ASSEMBLY SPECIFICATIONS

OEM	Make	Model	Year	Platform	Front Axles		Rear Axles				
					Chrysler	Chrysler	Chrysler	Chrysler	Chrysler	Chrysler	
					9.25" 14-Bolt Salisbury 5 Link	9.25" 12-Bolt Salisbury 3 Link	10.5" 14-Bolt Salisbury	11.5" 14-Bolt Salisbury 3 Link	11.5" 14-Bolt Salisbury 5 Link	11.8" 14-Bolt Salisbury	
Chrysler	RAM	Chrysler Dodge RAM Pickup 2500 HD	2003-2009 2009-2013	DR / DH DS / DJ	9.25" 14-Bolt Salisbury 5 Link		10.5" 14-Bolt Salisbury				
Chrysler	RAM	Chrysler Dodge RAM Pickup 3500	2003-2009 2009-2013	DR / DH DS / DJ	9.25" 14-Bolt Salisbury 5 Link			11.5" 14-Bolt Salisbury 3 Link			
Chrysler	RAM	Chrysler Chassis Cab - RAM 4000	2006+	DC DD				11.5" 14-Bolt Salisbury 3 Link			
Chrysler	RAM	Chrysler Dodge RAM Pickup 2500 HD	2014+	DJ		9.25" 12-Bolt Salisbury 3 Link			11.5" 14-Bolt Salisbury 5 Link		
Chrysler	RAM	Chrysler Dodge RAM Pickup 3500	2014+	D2		9.25" 12-Bolt Salisbury 3 Link			11.5" 14-Bolt Salisbury 5 Link	11.8" 14-Bolt Salisbury	

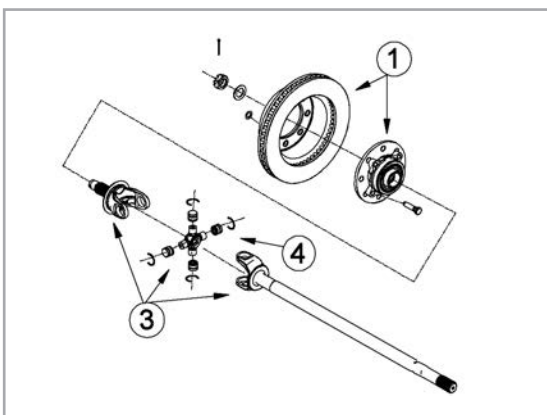
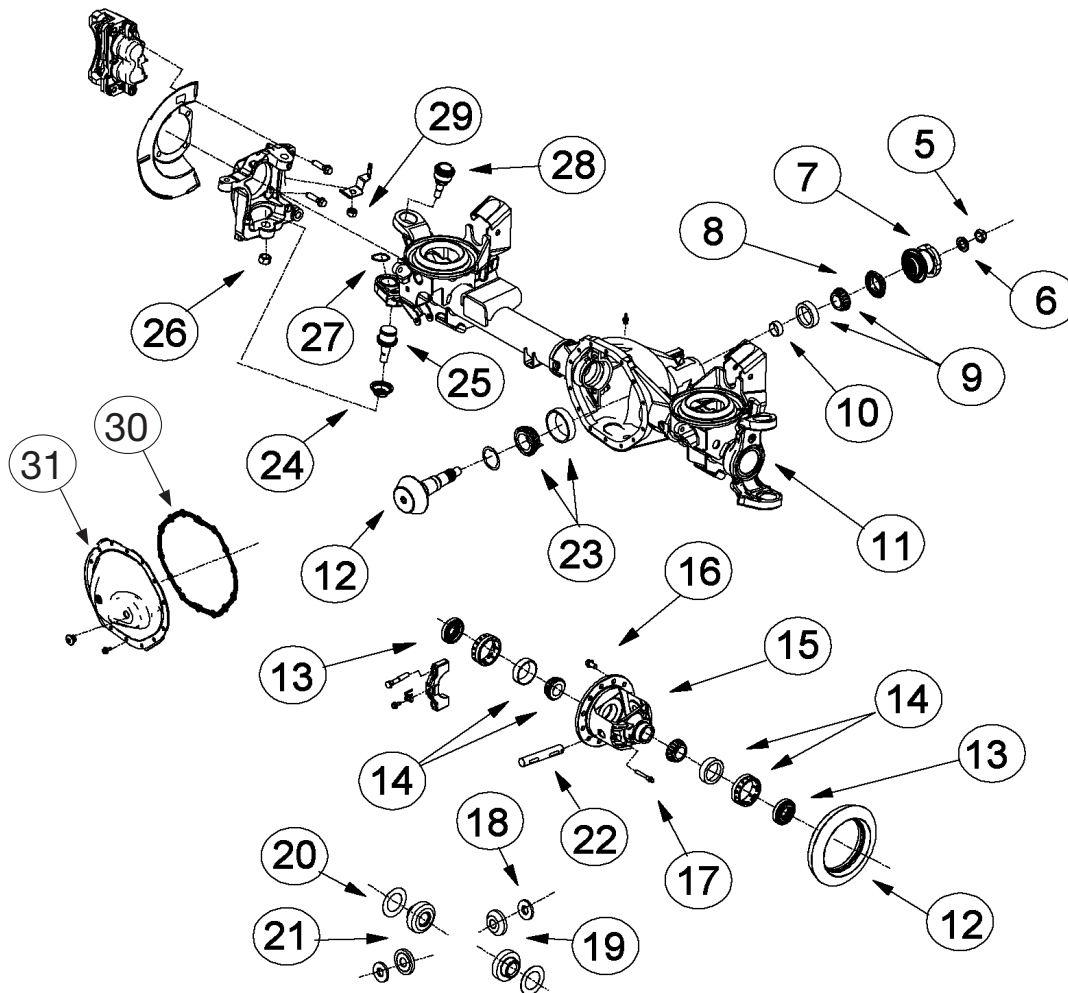


# Demand the original.

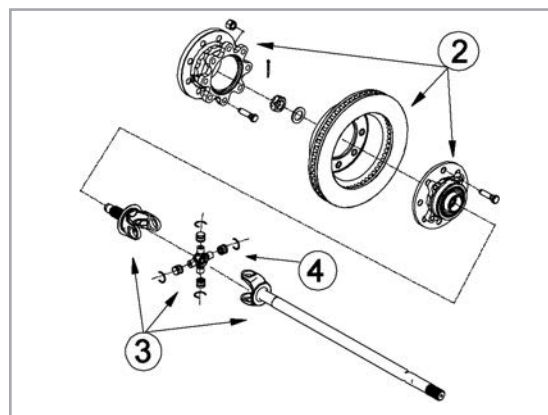
Axle Components | Driveshaft Components | Repair Kits

## AAM 925 14 BOLT

## Ram 9.25" Front Beam Axle



SINGLE WHEEL



DUAL WHEEL

### VEHICLE REFERENCE GUIDE

RAM 2500/3500 2003+



ILL #	AAM PART NUMBER	DESCRIPTION	REQ	USAGE	MODEL YEAR
1		HUB & ROTOR ASM (SINGLE WHEEL)		FOR REFERENCE ONLY	
2		HUB & ROTOR ASM (DUAL WHEEL)		FOR REFERENCE ONLY	
3	40020735	U-JOINT & AXLE SHAFT ASM - RH LONG	1	DR/DH	2003-2008
3	40020734	U-JOINT & AXLE SHAFT ASM - LH SHORT	1	DR/DH	2003-2008
3	40052461	U-JOINT & AXLE SHAFT ASM - RH LONG	1	DR/DH	2009
3	40060488	UJT & AXLE SHAFT ASM - LEFT HAND SHORT	1	DR/DH	2010+
3	40050487	UJT & AXLE SHAFT ASM - RIGHT HAND LONG	1	DR/DH	2010+
3	40022771	AXLE SHAFT LH INNER 1485 SERIES	1	DR/DH	2003-2008
3	40022772	AXLE SHAFT RH INNER 1485 SERIES	1	DR/DH	2003-2008
3	40060431	AXLE SHAFT LH INNER 1550 SERIES	1	DR/DH	2010+
3	40060439	AXLE SHAFT RH INNER 1550 SERIES	1	DR/DH	2010+
3	40060443	LH / RH OUTER AXLE SHAFT 1550 SERIES	1	DR/DH	2010+
3	40072773	RH INNER/OUTER COMPLETE AXLE ASSEMBLY 1550 SERIES	1	DR/DH	2010+
3	40072774	LH INNER/OUTER COMPLETE AXLE ASSMEBLY 1550 SERIES	1	DR/DH	2010+
5	9783762	PREVAILING TORQUE PINION NUT	1	DR/DH	2003+
6	517900	PINION NUT WASHER	1	DR/DH	2003+
7	40047860	PINION YOKE (PILOTED)	1	DR/DH	2003+
8	40017140	PINION SEAL	1	DR/DH	2003+
9	9417781	SMALL PINION BEARING ASM (CUP & CONE)	1	DR/DH	2003+
10	14012691	COLLAPSIBLE SPACER	1	DR/DH	2003+
11		HOUSING		FOR REFERENCE ONLY	
12	40036546	RING & PINION GEAR SET (3.73 RATIO; 2 CUT)	1	DH	2007+
12	40041782	RING & PINION GEAR SET (4.10 RATIO; 2 CUT)	1	DH	2007+
12	40045288	RING & PINION GEAR SET (3.42 RATIO; 2 CUT)	1	DH	2008+
13	40011965	OUTPUT SEAL	2	DR/DH	2003+
14	11505123	DIFF. CASE BEARING ASM (CUP & CONE)	2	DR/DH	2003+
15	40031460	DIFFERENTIAL OPEN CASE ASM (SPHERICAL BACK TRACRITE® OPEN; WITH INTERNALS)	1	DH	2007+
15	40035046	DIFFERENTIAL OPEN CASE ASSEMBLY (WITH INTERNALS)	1	DR/DH	2003-2006
15	40047279	DIFFERENTIAL CASE & COIL ASM (TRACRITE® EL; DIFF. WITH INTERNALS)	1	DR/DH	2005+
16	40031306	RING GEAR BOLT W/ D62 ADHESIVE	12	DR/DH	2003+
17	AVAILABLE IN KIT ONLY	PINION SHAFT LOCK SCREW	1	DR/DH	2003+
18	AVAILABLE IN KIT ONLY	PINION THRUST FLAT WASHER	2	DR/DH	2003-2006
18	AVAILABLE IN KIT ONLY	PINION THRUST SPHERICAL WASHER	2	DH	2007+
19	AVAILABLE IN KIT ONLY	PINION FLAT BACK GEAR	2	DR/DH	2003-2006
19	AVAILABLE IN KIT ONLY	SIDE SPHERICAL BACK GEAR	2	DH	2007+
20	AVAILABLE IN KIT ONLY	SIDE THRUST WASHER	2	DR/DH	2003+
21	AVAILABLE IN KIT ONLY	SIDE FLAT BACK GEAR	2	DR/DH	2003-2006
21	AVAILABLE IN KIT ONLY	SIDE GEAR	2	DH	2007+
22	AVAILABLE IN KIT ONLY	PINION SHAFT	1	DR/DH	2003+



# Demand the original.

Axle Components | Driveshaft Components | Repair Kits

## AAM 925 14 BOLT

## Ram 9.25" Front Beam Axle

ILL #	AAM PART NUMBER	DESCRIPTION	REQ	USAGE	MODEL YEAR
23	457108	LARGE PINION BEARING (CUP & CONE)	1	DR/DH	2003+
24	40010635	LOWER BALL JOINT SEAL	2	DR/DH	2003+
25	40010451	LOWER BALL JOINT	2	DR/DH	2003+
26	40012013	LOWER BALL JOINT NUT	2	DR/DH	2003+
27	40011969	RETAINING RING	2	DR/DH	2003+
28	70020760	UPPER BALL JOINT	2	DR/DH	2003+
29	11516843	UPPER BALL JOINT NUT	2	DR/DH	2003+
30	40011815	RUBBER OVER METAL COVERPAN GASKET	1	DR/DH	2003+
31	40063948	COVERPAN	1	DR/DH	2003+

### 74010009 9.25" FRONT BEAM - MASTER INSTALL KIT Ram 2500/3500 MODEL YEAR 2003 to Current

AAM PART #	DESCRIPTION	QTY
40011986	BOLT W/ WASHER & ADHESIVE	8
40011815	RUBBER OVER METAL COVERPAN GASKET	1
40021280	COTTER PIN	2
40010627	HUB NUT	2
40031306	RING GEAR BOLT W/ ADHESIVE	12
14012691	COLLAPSIBLE SPACER	1
	PINION SEAL SLEEVE	1
9783762	PREVAILING TORQUE PINION NUT	1
	PINION SHIM	18
40017140	TRIPLE LIP PINION SEAL	1
40011965	OUTPUT SEAL	2
40007601	MAGNETIC FILL/DRAIN PLUG	1
517900	PINION NUT WASHER	1
40010628	HUB NUT WASHER	2
40002169	COVERPAN BOLT W/ ADHESIVE	14

### 74067005 9.25" FRONT CLAMSHELL - MASTER BEARING KIT Ram 2500/3500 MODEL YEAR 2003 to Current

AAM PART #	DESCRIPTION	QTY
	PINION HEAD BEARING ROLLER	1
	PINION HEAD BEARING RACE	1
	PINION TAIL BEARING ROLLER	1
	PINION TAIL BEARING RACE	1
74003762	PREVAILING TORQUE PINION NUT	1
74007900	PINION NUT WASHER	1
74002691	COLLAPSIBLE SPACER	1
	DIFF BEARING ROLLER	2
	DIFF BEARING RACE	2

\*Note: RAM 9.25" Use Pinion Seal 40001740 – order separately

### VEHICLE REFERENCE GUIDE

RAM 2500/3500 2003+



**74042462 9.25" FRONT BEAM -  
33 TOOTH - DIFFERENTIAL GEAR KIT**

*RAM 2500/3500*

**MODEL YEAR 2007 to Current**

AAM PART #	DESCRIPTION	QTY
	PINION GEAR	2
	SIDE THRUST WASHER	2
	SIDE GEAR	2
	PINION SHAFT SCREW	1
	PINION SHAFT	1
	PINION THRUST SPHERICAL WASHER	2

**74047037 9.25" FRONT BEAM -  
33 TOOTH - DIFFERENTIAL GEAR KIT**

*Ram 2500/3500*

**MODEL YEAR 2003 - 2006**

AAM PART #	DESCRIPTION	QTY
	PINION FLAT BACK GEAR	2
	PINION THRUST WASHER	2
	SIDE GEAR	2
	PINION SHAFT	1
	SIDE THRUST WASHER	2
	PINION SHAFT LOCK SCREW	1

**74100001 9.25" FRONT BEAM -  
BALL JOINT KIT**

*RAM 2500/3500*

**MODEL YEAR 2003 to Current**

AAM PART #	DESCRIPTION	QTY
40010451	LOWER BALL JOINT	1
40020760	UPPER BALL JOINT	1
40010635	BALL JOINT SEAL	1
40011969	SNAP RING	1
40012013	M20 TORQUE PREVAILING NUT	1
11516133	M16 TORQUE PREVAILING NUT	1
40011986	WHEEL HUB BOLTS	4

**74050016 9.25" FRONT BEAM -  
OUTPUT SHAFT SEAL KIT**

*Ram 2500/3500*

**MODEL YEAR 2003 to Current**

AAM PART #	DESCRIPTION	QTY
40011985	OUTPUT SEAL	2
40011986	BOLT W/ WASHER & ADHESIVE	8

**74030009 9.25" FRONT BEAM -  
COVERPAN KIT**

*Ram 2500/3500*

**MODEL YEAR 2003 to Current**

AAM PART #	DESCRIPTION	QTY
40063948	COVERPAN	1
40011815	RUBBER OVER METAL COVERPAN GASKET	1
40002169	COVERPAN BOLT W/ ADHESIVE	14
40007601	MAGNETIC FILL/DRAIN PLUG	1

**74020009 9.25" FRONT BEAM -  
PINION SEAL KIT**

*RAM 2500/3500*

**MODEL YEAR 2003 to Current**

AAM PART #	DESCRIPTION	QTY
40017140	PINION SEAL	1
14012691	COLLAPSIBLE SPACER	1
9783762	PREVAILING TORQUE PINION NUT	1
	PINION SEAL SLEEVE	1
517900	PINION NUT WASHER	1

**74110001 9.25" FRONT BEAM -  
WHEEL JOINT KIT (1485)**

*RAM 2500/3500*

**MODEL YEAR 2003 to 2009**

AAM PART #	DESCRIPTION	QTY
40022782	U JOINT 1485	2
40023193	RING, RETAINING	8
40011848	DEFLECTOR, AXLE HUB BRG	2
40011986	BOLT, FRONT WHEEL HUB	8
40010627	NUT, HUB	2
40010628	WASHER, HUB NUT	2
40021280	PIN, COTTER (HUB NUT RETAINER)	2

**74110002 9.25" FRONT BEAM -  
WHEEL JOINT KIT (1555)**

*RAM 2500/3500*

**MODEL YEAR 2010+**

AAM PART #	DESCRIPTION	QTY
40069856	U JOINT 1555	2
40023193	RING, RETAINING	8
40011848	DEFLECTOR, AXLE HUB BRG	2
40011986	BOLT, FRONT WHEEL HUB	8
40010627	NUT, HUB	2
40010628	WASHER, HUB NUT	2
40021280	PIN, COTTER (HUB NUT RETAINER)	2



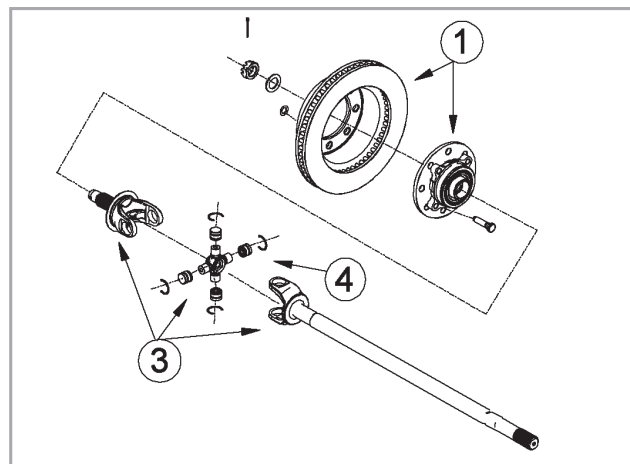
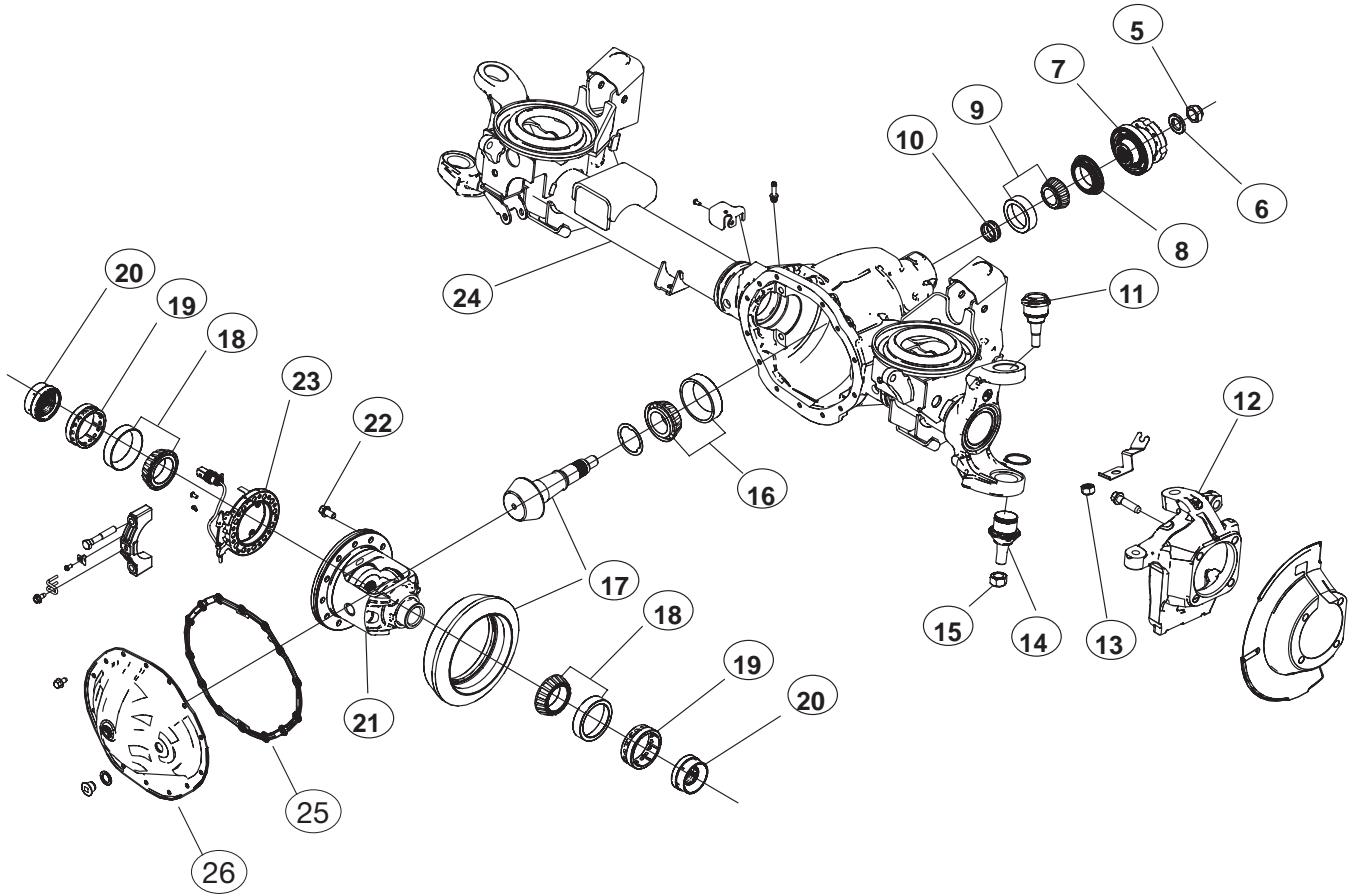


# Demand the original.

Axle Components | Driveshaft Components | Repair Kits

## AAM 925 14 BOLT with e - lock

## Ram 9.25" Front Beam Axle



SINGLE WHEEL

### VEHICLE REFERENCE GUIDE

RAM 2500/3500 2003+



ILL #	AAM PART NUMBER	DESCRIPTION	REQ	USAGE	MODEL YEAR
1		HUB & ROTOR ASM (SINGLE WHEEL)		FOR REFERENCE ONLY	
3	40020735	U-JOINT & AXLE SHAFT ASM - RH LONG	1	DR/DH	2005-2008
3	40020734	U-JOINT & AXLE SHAFT ASM - LH SHORT	1	DR/DH	2005-2008
3	40052461	U-JOINT & AXLE SHAFT ASM - RH LONG	1	DR/DH	2009+
4	40087025	U-JOINT - 1485	2	DR/DH	2005+
4	40068198	U-JOINT - 1555	2	DR/DH	2010+
5	9783762	PREVAILING TORQUE PINION NUT	1	DR/DH	2005+
6	517900	PINION NUT WASHER	1	DR/DH	2005+
7	40047860	PINION YOKE (PILOTED)	1	DR/DH	2005+
8	40047860	PINION YOKE (PILOTED)	1	DR/DH	2005+
9	9417781	SMALL PINION BEARING ASM (CUP & CONE)	1	DR/DH	2005+
10	14012691	COLLAPSIBLE SPACER	1	DR/DH	2005+
11	40020760	UPPER BALL JOINT	2	DR/DH	2005+
12	74004592	KNUCKLE - RIGHT HAND	1	DR/DH	2005-2008
12	74004593	KNUCKLE - LEFT HAND	1	DR/DH	2005-2008
12		KNUCKLE - RIGHT HAND	1	DR/DH	2009+
12		KNUCKLE - LEFT HAND	1	DR/DH	2009+
13	11516843	UPPER BALL JOINT NUT	2	DR/DH	2005+
14	40010451	LOWER BALL JOINT	2	DR/DH	2005+
14	40010635	LOWER BALL JOINT SEAL	2	DR/DH	2005+
15	40012013	LOWER BALL JOINT NUT	2	DR/DH	2005+
16	457108	LARGE PINION BEARING (CUP & CONE)	1	DR/DH	2005+
17	40022464	RING & PINION GEAR SET (4:56)	1	DR/DH	2005+
18	11505123	DIFF. CASE BEARING ASM (CUP & CONE)	2	DR/DH	2005+
19	14012753	DIFF. BEARING ADJUSTER NUT	2	DR/DH	2005+
20	40011865	AXLE SHAFT SEAL	2	DR/DH	2005+
21	40047279	DIFFERENTIAL CASE & COIL ASM (TRACRITE® EL; DIFF. WITH INTERNALS)	1	DR/DH	2005+
22	40031306	RING GEAR BOLT W. ADHESIVE	12	DR/DH	2005+
23	40042919	ASM COIL	1	DR/DH	2005+
24		HOUSING		FOR REFERENCE ONLY	
25	40011815	RUBBER OVER METAL COVERPAN GASKET	1	DR/DH	2005+
26	40063948	COVERPAN	1	DR/DH	2005+



# Demand the original.

Axle Components | Driveshaft Components | Repair Kits

## AAM 925 14 BOLT with e-lock

### 74010009 9.25" FRONT BEAM - MASTER INSTALL KIT

Ram 2500/3500

MODEL YEAR 2003 to Current

AAM PART #	DESCRIPTION	QTY
40011986	BOLT W/ WASHER & ADHESIVE	8
40011815	RUBBER OVER METAL COVERPAN GASKET	1
40021280	COTTER PIN	2
40010627	HUB NUT	2
40031306	RING GEAR BOLT W/ ADHESIVE	12
14012691	COLLAPSIBLE SPACER	1
	PINION SEAL SLEEVE	1
9783762	PREVAILING TORQUE PINION NUT	1
	PINION SHIM	18
40017140	TRIPLE LIP PINION SEAL	1
40011965	OUTPUT SEAL	2
40007601	MAGNETIC FILL/DRAIN PLUG	1
517900	PINION NUT WASHER	1
40010628	HUB NUT WASHER	2
40002169	COVERPAN BOLT W/ ADHESIVE	14

### 74067005 9.25" FRONT CLAMSHELL - MASTER BEARING KIT

Ram 2500/3500

MODEL YEAR 2003 to Current

AAM PART #	DESCRIPTION	QTY
	PINION HEAD BEARING ROLLER	1
	PINION HEAD BEARING RACE	1
	PINION TAIL BEARING ROLLER	1
	PINION TAIL BEARING RACE	1
74003762	PREVAILING TORQUE PINION NUT	1
74007900	PINION NUT WASHER	1
74002691	COLLAPSIBLE SPACER	1
	DIFF BEARING ROLLER	2
	DIFF BEARING RACE	2
	PINION SEAL	1

## Ram 9.25" Front Beam Axle

### 74042462 9.25" FRONT BEAM - 33 TOOTH - DIFFERENTIAL GEAR KIT

RAM 2500/3500

MODEL YEAR 2007 to Current

AAM PART #	DESCRIPTION	QTY
	PINION GEAR	2
	SIDE THRUST WASHER	2
	SIDE GEAR	2
	PINION SHAFT SCREW	1
	PINION SHAFT	1
	PINION THRUST SPHERICAL WASHER	2

### 74047037 9.25" FRONT BEAM - 33 TOOTH - DIFFERENTIAL GEAR KIT

RAM 2500/3500

MODEL YEAR 2003 to 2006

AAM PART #	DESCRIPTION	QTY
	PINION FLAT BACK GEAR	2
	PINION THRUST WASHER	2
	SIDE GEAR	2
	PINION SHAFT	1
	SIDE THRUST WASHER	2
	PINION SHAFT LOCK SCREW	1

### VEHICLE REFERENCE GUIDE

RAM 2500/3500 2003+



**74050016 9.25" FRONT BEAM -  
OUTPUT SHAFT SEAL KIT**  
*RAM 2500/3500*  
**MODEL YEAR 2003 to Current**

AAM PART #	DESCRIPTION	QTY
40011965	OUTPUT SEAL	2
40011986	BOLT W/ WASHER & ADHESIVE	8

**74030009 9.25" FRONT BEAM -  
COVERPAN KIT**  
*RAM 2500/3500*  
**MODEL YEAR 2003 to Current**

AAM PART #	DESCRIPTION	QTY
40063948	COVERPAN	1
40011815	RUBBER OVER METAL COVERPAN GASKET	1
40002169	COVERPAN BOLT W/ ADHESIVE	14
40007601	MAGNETIC FILL/DRAIN PLUG	1

**74020009 9.25" FRONT BEAM -  
PINION SEAL KIT**  
*RAM 2500/3500*  
**MODEL YEAR 2003 to Current**

AAM PART #	DESCRIPTION	QTY
40017140	PINION SEAL	1
14012691	COLLAPSIBLE SPACER	1
9783762	PREVAILING TORQUE PINION NUT	1
	PINION SEAL SLEEVE	1
517900	PINION NUT WASHER	1

**74100001 9.25" FRONT BEAM -  
BALL JOINT KIT**  
*RAM 2500/3500*  
**MODEL YEAR 2003 to Current**

AAM PART #	DESCRIPTION	QTY
40010451	LOWER BALL JOINT	1
40020760	UPPER BALL JOINT	1
40010635	BALL JOINT SEAL	1
40011969	SNAP RING	1
40012013	M20 TORQUE PREVAILING NUT	1
11516133	M16 TORQUE PREVAILING NUT	1
40011986	WHEEL HUB BOLTS	4

**74110001 9.25" FRONT BEAM -  
WHEEL JOINT KIT (1485)**  
*RAM 2500/3500*  
**MODEL YEAR 2003 to 2009**

AAM PART #	DESCRIPTION	QTY
40022782	U JOINT 1485	2
40023193	RING, RETAINING	8
40011848	DEFLECTOR, AXLE HUB BRG	2
40011986	BOLT, FRONT WHEEL HUB	8
40010627	NUT, HUB	2
40010628	WASHER, HUB NUT	2
40021280	PIN, COTTER (HUB NUT RETAINER)	2

**74110002 9.25" FRONT BEAM -  
WHEEL JOINT KIT (1555)**  
*RAM 2500/3500*  
**MODEL YEAR 2010+**

AAM PART #	DESCRIPTION	QTY
40069856	U JOINT 1555	2
40023193	RING, RETAINING	8
40011848	DEFLECTOR, AXLE HUB BRG	2
40011986	BOLT, FRONT WHEEL HUB	8
40010627	NUT, HUB	2
40010628	WASHER, HUB NUT	2
40021280	PIN, COTTER (HUB NUT RETAINER)	2

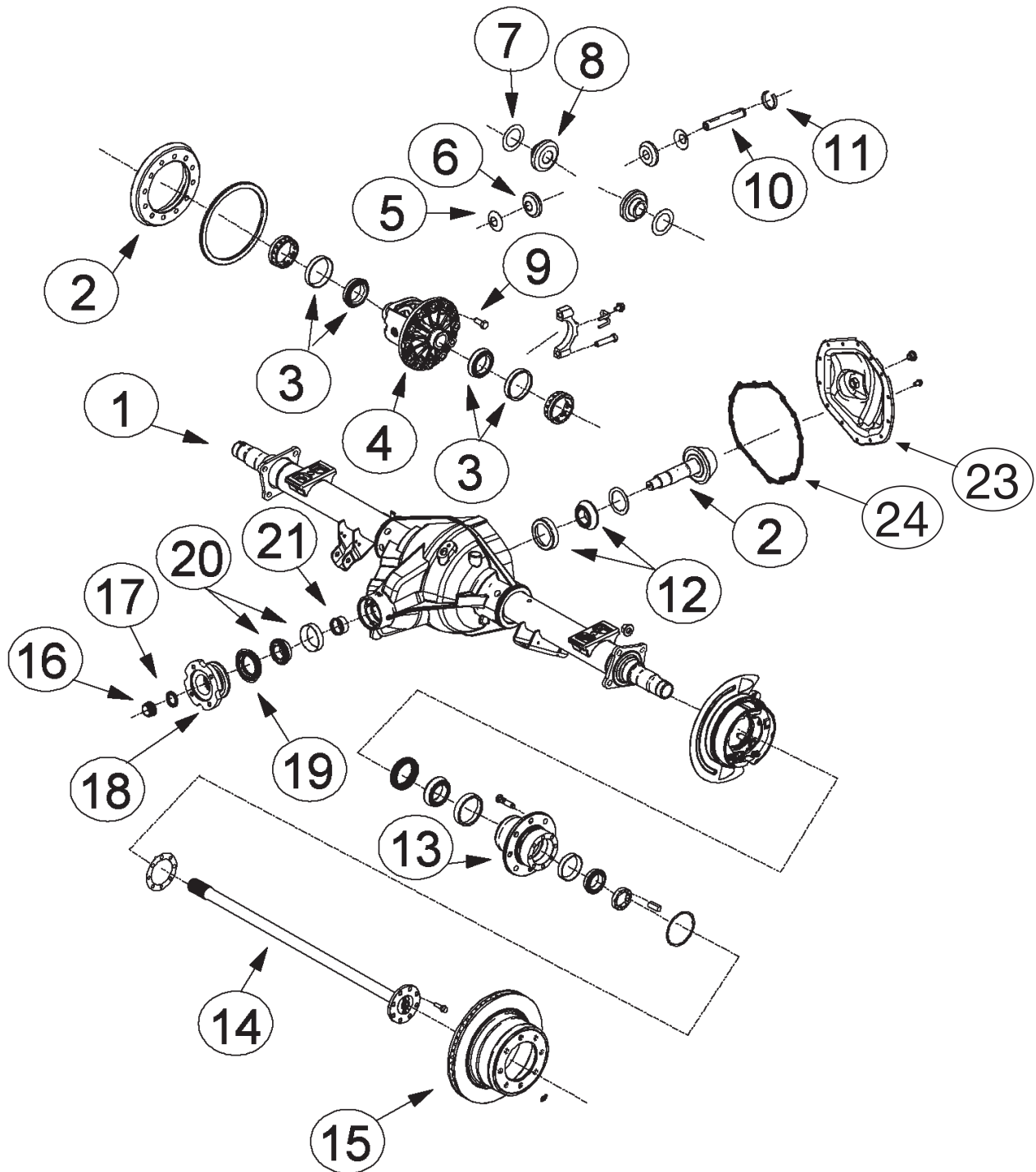


# Demand the original.

Axle Components | Driveshaft Components | Repair Kits

**AAM 1050 14 BOLT**

**Ram 10.5" Rear Axle**



## VEHICLE REFERENCE GUIDE

RAM 2500/3500 POWERWAGON

2003+



ILL #	AAM PART NUMBER	DESCRIPTION	REQ	USAGE	MODEL YEAR
1		AXLE HOUSING		FOR REFERENCE ONLY	
2	40069918	RING & PINION GEAR SET (3.73 RATIO; 2 CUT)	1	RAM	2003+
2	40069922	RING & PINION GEAR SET (4.10 RATIO; 2 CUT)	1	RAM	2003+
3	9436881	DIFF. CASE BEARING ASM (CUP & CONE)	2	RAM	2003+
4	40008168	DIFFERENTIAL OPEN CASE (WITHOUT INTERNALS)	1	RAM	2003+
4	40008175	DIFFERENTIAL OPEN CASE ASSEMBLY (WITH INTERNALS)	1	RAM	2003+
4	40010351	DIFFERENTIAL CASE ASM (TRACRITE® GT)	1	RAM	2003+
4	40047275	DIFFERENTIAL CASE & COIL ASM. (TRACRITE® GTL - ELECTRONIC)		POWERWAGON	2005+
5	AVAILABLE IN KIT ONLY	PINION THRUST WASHER	2	RAM	2003+
6	AVAILABLE IN KIT ONLY	PINION GEAR	2	RAM	2003+
7	AVAILABLE IN KIT ONLY	SIDE THRUST WASHER	2	RAM	2003+
8	AVAILABLE IN KIT ONLY	SIDE GEAR	2	RAM	2003+
9	40022812	RING GEAR BOLT W/ ADHESIVE	12	RAM	2003+
10	AVAILABLE IN KIT ONLY	PINION SHAFT	1	RAM	2003+
11	40012808	PINION SHAFT RETAINING RING	1	RAM	2003+
12	40012648	LARGE PINION BEARING ASM (CUP & CONE)	1	RAM	2003+
13		SINGLE WHEEL HUB ASM		FOR REFERENCE ONLY	
14	40020768	AXLE SHAFT (935 MM; 30 TOOTH; 8 BOLT; DISC)	2	RAM	2003+
15		SINGLE WHEEL ROTOR		FOR REFERENCE ONLY	
16	40003027	PINION NUT	1	RAM	2003+
17	40003255	PINION NUT WASHER	1	RAM	2003+
18	40047864	PINION YOKE (PILOTED)	1	RAM	2003+
	40062272	PINION YOKE (PILOTED; SHORT 63:6)		RAM	2007+
19	40022855	PINION FLANGE	1	RAM	2003+
20	9418356	SMALL PINION BEARING ASM (CUP & CONE)	1	RAM	2003+
21	40010207	COLLAPSIBLE SPACER	1	RAM	2003+
22	AVAILABLE IN KIT ONLY	EXCITER RING	1	RAM	2003+
23	40015796	COVERPAN	1	RAM	2003+
24	40011815	RUBBER OVER METAL COVERPAN GASKET	1	RAM	2003+



# Demand the original.

Axle Components | Driveshaft Components | Repair Kits

## AAM 1050 14 BOLT

### 74010013 10.5" REAR 14 BOLT - MASTER INSTALL KIT

Ram 2500/3500

MODEL YEAR 2003 to Current

AAM PART #	DESCRIPTION	QTY
40002169	COVERPAN BOLT W/ ADHESIVE	14
40010027	RUBBER OVER METAL COVERPAN GASKET	1
26060977	PINION SEAL SLEEVE	1
40007601	MAGNETIC FILL/DRAIN PLUG	1
	TRIPLE LIP PINION SEAL	1
40010207	COLLAPSIBLE SPACER	1
40020799	HUB SEAL	2
	PINION SHIM	15
40020764	HEX BOLT W/ ADHESIVE	16
40022812	RING GEAR BOLT W/ ADHESIVE	12
40003255	PINION NUT WASHER	1
40003027	PINION NUT	1

### 74067010 10.5" REAR 14 BOLT - MASTER BEARING KIT

Ram 2500/3500

MODEL YEAR 2003 to Current

AAM PART #	DESCRIPTION	QTY
	PINION HEAD BEARING ROLLER	1
	PINION HEAD BEARING RACE	1
	PINION TAIL BEARING ROLLER	1
	PINION TAIL BEARING RACE	1
	PINION NUT	1
	PINION NUT WASHER	1
	COLLAPSIBLE SPACER	1
	DIFF BEARING ROLLER	2
9436881	DIFF BEARING RACE	2
	PINION SEAL	1

## Ram 10.5" Rear Axle

### 74049286 10.5" REAR 14 BOLT - 30 TOOTH - DIFFERENTIAL GEAR KIT

Ram 2500/3500

MODEL YEAR 2003 to Current

AAM PART #	DESCRIPTION	QTY
	PINION GEAR	2
	SIDE THRUST WASHER	2
	SIDE GEAR	2
	PINION SHAFT	1
	PINION THRUST WASHER	2
	EXCITER RING	1

### 74070005 10.5" REAR SINGLE WHEEL - WHEEL END KIT

Ram 2500/3500

MODEL YEAR 2003 to Current

AAM PART #	DESCRIPTION	QTY
40105400RACE	INNER WHEEL END RACE	1
40105400CONE	INNER WHEEL END BEARING	1
9428909	OUTER WHEEL END BEARING	1
9428539	OUTER WHEEL END RACE	1
40015029	HUB SEAL	2
341509	HUB NUT	2
40047505	HUB GASKET	2
	RETAINING RING - HUB	2
	HUB NUT LOCK	2
40020764	HEX BOLT W/ ADHESIVE	16

#### VEHICLE REFERENCE GUIDE

RAM 2500/3500 2003+



**74030015 10.5" REAR 14 BOLT -  
COVERPAN KIT**

*Ram 2500/3500*

**MODEL YEAR 2003 to Current**

AAM PART #	DESCRIPTION	QTY
40012622	COVERPAN	1
40010027	RUBBER OVER METAL COVERPAN GASKET	1
40002169	COVERPAN BOLT W/ ADHESIVE	14
40007601	MAGNETIC FILL/DRAIN PLUG	1

**74020012 10.5" REAR 14 BOLT -  
PINION SEAL KIT**

*Ram 2500/3500*

**MODEL YEAR 2003 to Current**

AAM PART #	DESCRIPTION	QTY
	TRIPLE LIP PINION SEAL	1
40010207	COLLAPSIBLE SPACER	1
26060977	PINION SEAL SLEEVE	1
40003027	PINION NUT	1
40003255	PINION NUT WASHER	1



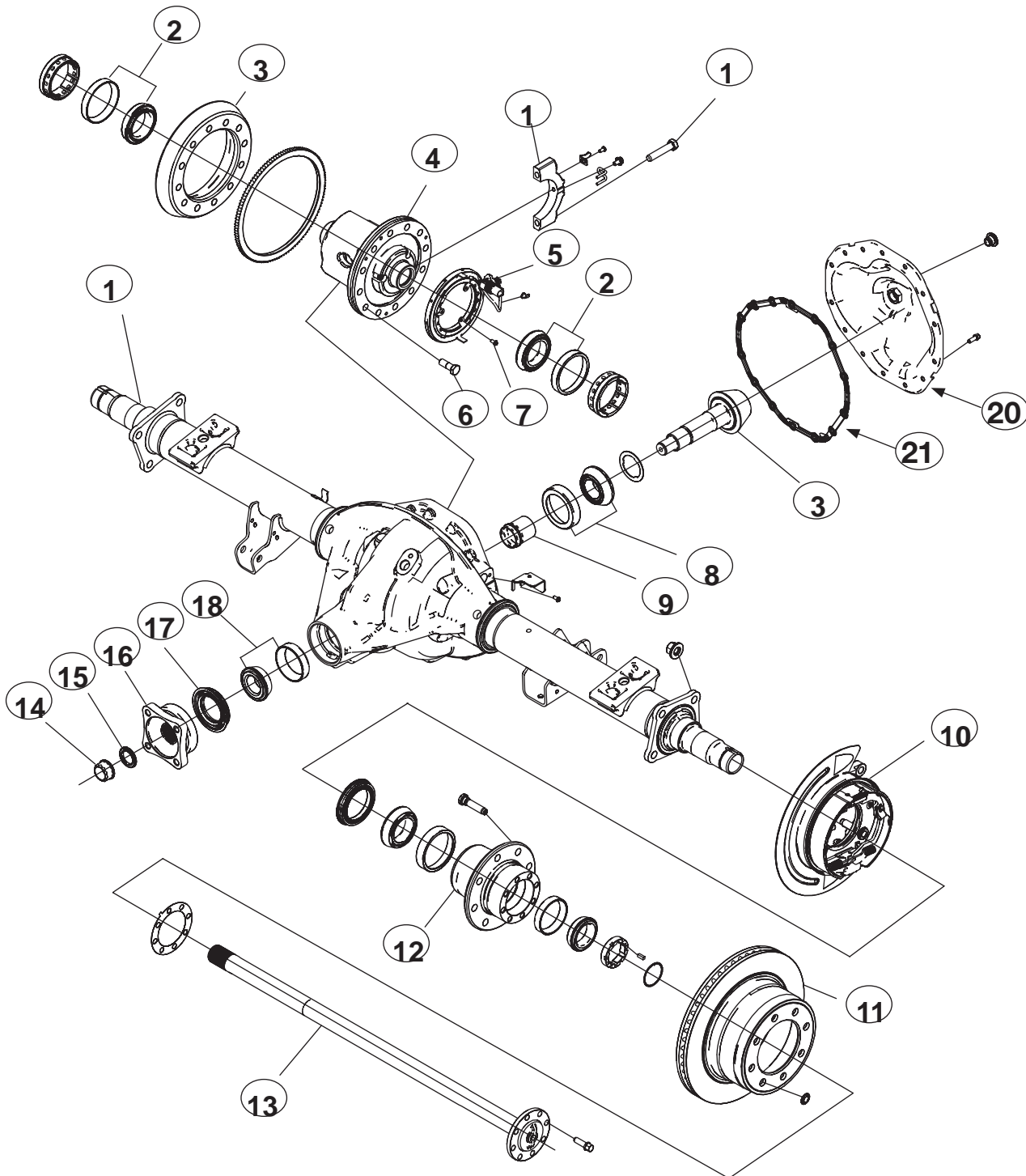


# Demand the original.

Axle Components | Driveshaft Components | Repair Kits

## AAM 1050 14 BOLT with e-lock

## Ram 10.5" Rear Axle



### VEHICLE REFERENCE GUIDE

RAM 2500/3500 POWERWAGON 2003+



ILL #	AAM PART NUMBER	DESCRIPTION	REQ	USAGE	MODEL YEAR
1		AXLE HOUSING		FOR REFERENCE ONLY	
2	9436881	DIFF. CASE BEARING ASM (CUP & CONE)	2	DR/DH	2005+
3	40009354	RING & PINION GEAR SET (4.56 RATIO; 2 CUT)	1	DR/DH	2005+
4	40047275	DIFFERENTIAL CASE & COIL ASM. (TRACRITE® GTL - ELECTRONIC)	1	POWERWAGON	2005+
5		COIL ASM	1	DR/DH	2005+
6	40022812	RING GEAR BOLT W/ ADHESIVE	12	DR/DH	2005+
7	40030475	SCREW COIL TARGET BRACKET & CONNECTOR	5	DR/DH	2005+
8	40012648	LARGE PINION BEARING ASM (CUP & CONE)	1	DR/DH	2005+
9	40010207	COLLAPSIBLE SPACER	1	DR/DH	2005+
10		PARK BRAKE ASM		FOR REFERENCE ONLY	
11		ROTOR		FOR REFERENCE ONLY	
12		HUB ASM		FOR REFERENCE ONLY	
13	40022279	AXLE SHAFT (935 MM; 30 TOOTH; 8 BOLT)	2	DR/DH	2005+
14	40003027	PINION NUT	1	DR/DH	2005+
15	40003255	PINION NUT WASHER	1	DR/DH	2005+
16	40047864	PINION YOKE (PILOTED)	1	DR/DH	2005+
17	40022855	PINION FLANGE	1	DR/DH	2005+
18	9418356	SMALL PINION BEARING ASM (CUP & CONE)	1	DR/DH	2005+
19	AVAILABLE IN KIT ONLY	EXCITER RING	1	DR/DH	2005+
20	40015796	COVERPAN	1	DR/DH	2005+
21	40011815	RUBBER OVER METAL COVERPAN GASKET	1	DR/DH	2005+



# Demand the original.

Axle Components | Driveshaft Components | Repair Kits

## AAM 1050 14 BOLT with e-lock

## Ram 10.5" Rear Axle

### 74010013 10.5" REAR 14 BOLT - MASTER INSTALL KIT

Ram 2500/3500

MODEL YEAR 2003 to Current

AAM PART #	DESCRIPTION	QTY
40002169	COVERPAN BOLT W/ ADHESIVE	14
40010027	RUBBER OVER METAL COVERPAN GASKET	1
26060977	PINION SEAL SLEEVE	1
40007601	MAGNETIC FILL/DRAIN PLUG	1
	TRIPLE LIP PINION SEAL	1
40010207	COLLAPSIBLE SPACER	1
40020799	HUB SEAL	2
	PINION SHIM	15
40020764	HEX BOLT W/ ADHESIVE	16
40022812	RING GEAR BOLT W/ ADHESIVE	12
40003255	PINION NUT WASHER	1
40003027	PINION NUT	1

### 74049286 10.5" REAR 14 BOLT - 30 TOOTH - DIFFERENTIAL GEAR KIT

Ram 2500/3500

MODEL YEAR 2003 to Current

AAM PART #	DESCRIPTION	QTY
	PINION GEAR	2
	SIDE THRUST WASHER	2
	SIDE GEAR	2
	PINION SHAFT	1
	PINION THRUST WASHER	2
	EXCITER RING	1

### 74067010 10.5" REAR 14 BOLT - MASTER BEARING KIT

Ram 2500/3500

MODEL YEAR 2003 to Current

AAM PART #	DESCRIPTION	QTY
	PINION HEAD BEARING ROLLER	1
	PINION HEAD BEARING RACE	1
	PINION TAIL BEARING ROLLER	1
	PINION TAIL BEARING RACE	1
	PINION NUT	1
	PINION NUT WASHER	1
	COLLAPSIBLE SPACER	1
	DIFF BEARING ROLLER	2
9436881	DIFF BEARING RACE	2
	PINION SEAL	1

### 74070005 10.5" REAR SINGLE WHEEL - WHEEL END KIT

Ram 2500/3500

MODEL YEAR 2003 to Current

AAM PART #	DESCRIPTION	QTY
40105400RACE	INNER WHEEL END RACE	1
40105400CONE	INNER WHEEL END BEARING	1
9428909	OUTER WHEEL END BEARING	1
9428539	OUTER WHEEL END RACE	1
40015029	HUB SEAL	2
341509	HUB NUT	2
40047505	HUB GASKET	2
	RETAINING RING - HUB	2
	HUB NUT LOCK	2
40020764	HEX BOLT W/ ADHESIVE	16

#### VEHICLE REFERENCE GUIDE

RAM 2500/3500 2003+



**74030015 10.5" REAR 14 BOLT -  
COVERPAN KIT**

*Ram 2500/3500*

**MODEL YEAR 2003 to Current**

AAM PART #	DESCRIPTION	QTY
40012622	COVERPAN	1
40010027	RUBBER OVER METAL COVERPAN GASKET	1
40002169	COVERPAN BOLT W/ ADHESIVE	14
40007601	MAGNETIC FILL/DRAIN PLUG	1

**74020012 10.5" REAR 14 BOLT -  
PINION SEAL KIT**

*Ram 2500/3500*

**MODEL YEAR 2003 to Current**

AAM PART #	DESCRIPTION	QTY
	TRIPLE LIP PINION SEAL	1
40010207	COLLAPSIBLE SPACER	1
26060977	PINION SEAL SLEEVE	1
40003027	PINION NUT	1
40003255	PINION NUT WASHER	1

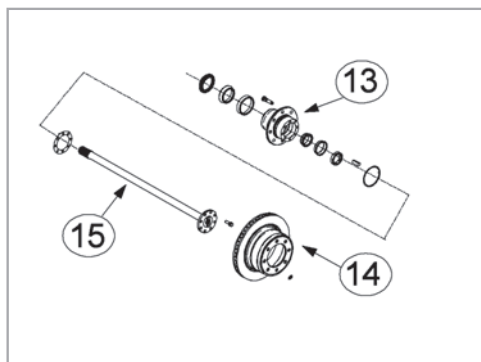
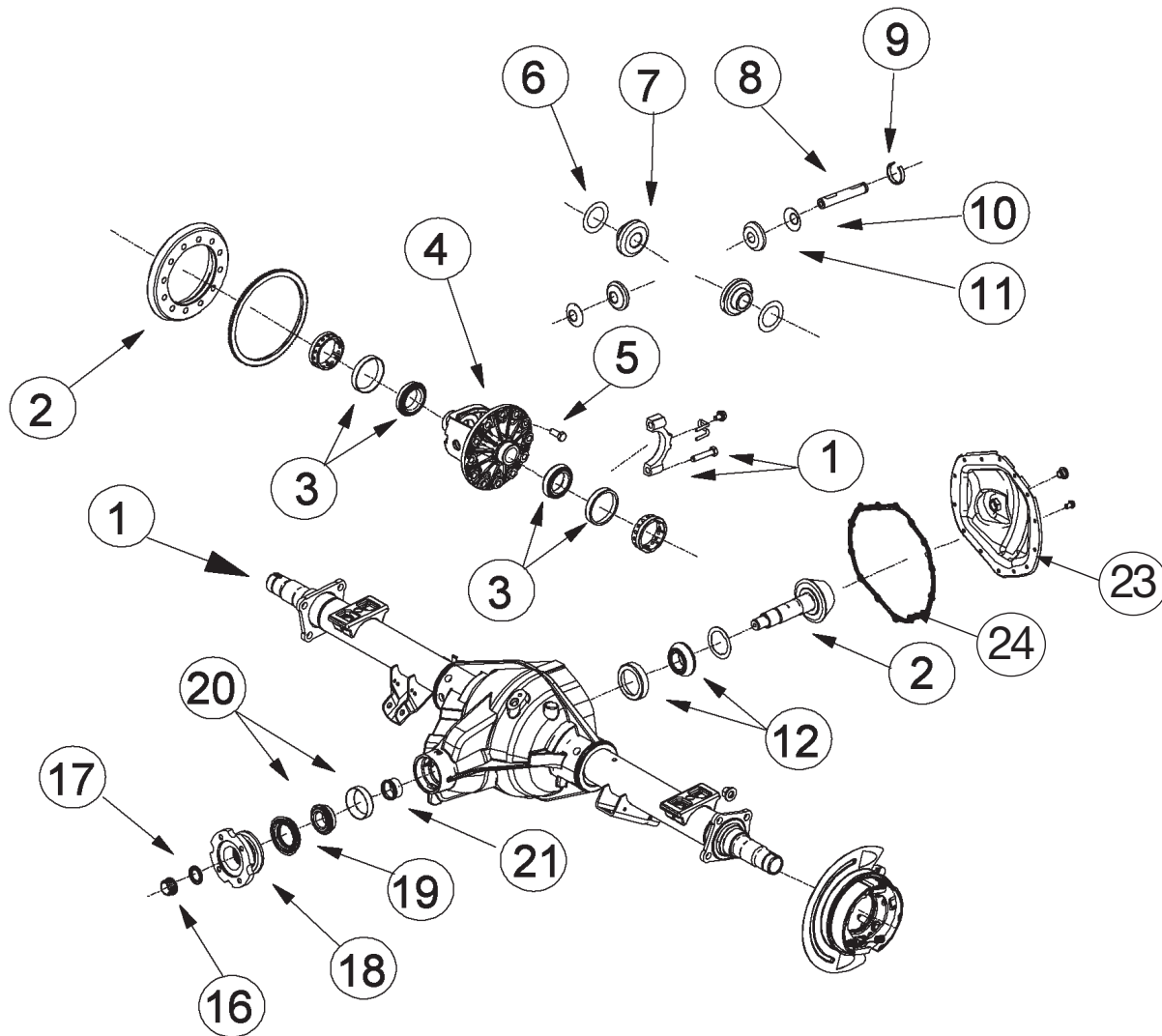


# Demand the original.

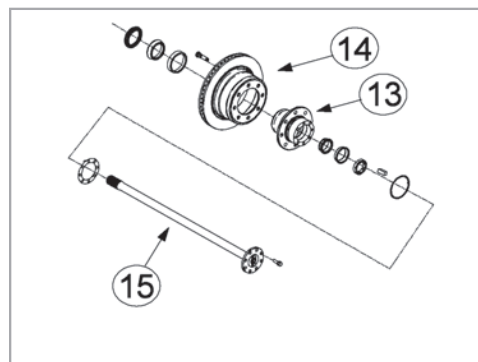
Axle Components | Driveshaft Components | Repair Kits

## AAM 1150 14 BOLT

## Ram 11.5" Rear Axle



SINGLE WHEEL



DUAL WHEEL

### VEHICLE REFERENCE GUIDE

RAM 2500/3500 2003+



ILL #	AAM PART NUMBER	DESCRIPTION	REQ	USAGE	MODEL YEAR
1		AXLE HOUSING		FOR REFERENCE ONLY	
2	40088177	RING & PINION GEAR SET (3.73 RATIO; 2 CUT)	1	RAM	2003+
2	40088195	RING & PINION GEAR SET (4.10 RATIO; 2 CUT)	1	RAM	2003+
2	40101174	RING & PINION GEAR SET (3.42 RATIO; 2 CUT)	1	RAM	2007+
3	26064499	DIFF. CASE BEARING ASM (CUP & CONE)	2	RAM	2003+
4	40101021	DIFFERENTIAL OPEN CASE (WITHOUT INTERNALS)	1	RAM	2003+
4	40101020	DIFFERENTIAL OPEN CASE ASSEMBLY (WITH INTERNALS)	1	RAM	2003+
4	40099548	HELICAL LIMITED SLIP DIFF ASSEMBLY - TRACRITE® GT	1	RAM	2003+
5	40022812	RING GEAR BOLT W/ ADHESIVE	12	RAM	2003+
6	AVAILABLE IN KIT ONLY	SIDE THRUST WASHER	2	RAM	2003+
7	AVAILABLE IN KIT ONLY	SIDE GEAR	2	RAM	2003+
8	AVAILABLE IN KIT ONLY	PINION SHAFT	1	RAM	2003+
9	AVAILABLE IN KIT ONLY	PINION SHAFT RETAINING RING	1	RAM	2003+
10	AVAILABLE IN KIT ONLY	PINION THRUST WASHER	2	RAM	2003+
11	AVAILABLE IN KIT ONLY	PINION GEAR	2	RAM	2003+
12	26064500	LARGE PINION BEARING ASM (CUP & CONE)	1	RAM	2003+
13		SINGLE WHEEL HUB		FOR REFERENCE ONLY	
14		SINGLE WHEEL ROTOR		FOR REFERENCE ONLY	
14		HUB & ROTOR ASSEMBLY, DUAL WHEEL		FOR REFERENCE ONLY	
15	40022280	AXLE SHAFT (1019 MM; 30 TOOTH; 8 BOLT; DUAL WHEEL; DISC)	2	RAM	2003+
15	40041952	AXLE SHAFT (968 MM; 30 TOOTH; 8 BOLT; DISC)	2	RAM	2007+
15	40022279	AXLE SHAFT SW (935MM; 30 TOOTH; 8 BOLT) LH/RH	2	RAM	2003+
15	40042351	AXLE SHAFT DW (1023MM; 30 TOOTH; 8 BOLT) LH/RH	2	RAM	2003+
16	40003027	PINION NUT	1	RAM	2003+
17	40003255	PINION NUT WASHER	1	RAM	2003+
18	40062272	PINION YOKE (PILOTED; SHORT 63:6)	1	RAM	2003+
19	26064030	TRIPLE LIP PINION SEAL	1	RAM	2003+
20	9418356	SMALL PINION BEARING ASM (CUP & CONE)	1	RAM	2003+
21	40011051	COLLAPSIBLE SPACER	1	RAM	2003+
22	40023048	EXCITER RING	1	RAM	2003+
23	40013758	COVERPAN	1	RAM	2003+
24	40005967	RUBBER OVER METAL COVERPAN GASKET	1	RAM	2003+



# Demand the original.

Axle Components | Driveshaft Components | Repair Kits

## AAM 1150 14 BOLT

### 74010016 11.5" REAR 14 BOLT - MASTER INSTALL KIT

Ram 2500/3500

MODEL YEAR 2003 to Current

AAM PART #	DESCRIPTION	QTY
26060977	PINION SEAL SLEEVE	1
40001357	RUBBER OVER METAL COVERPAN GASKET	1
40005967	RUBBER OVER METAL COVERPAN GASKET	1
	PINION SHIM	18
40022812	RING GEAR BOLT W/ ADHESIVE	14
40020764	HEX BOLT W/ ADHESIVE	16
40007601	MAGNETIC FILL/DRAIN PLUG	1
40042937	FILL/DRAIN PLUG	1
40051851	HUB GASKET	4
40011051	COLLAPSIBLE SPACER	2
40041239	SPECIAL COVERPAN BOLT	2
40023476	WHEEL BOLT W/ ADHESIVE	16
40003027	PINION NUT	1
26064030	TRIPLE LIP PINION SEAL	2
40003255	PINION NUT WASHER	1
40002169	COVERPAN BOLT W/ ADHESIVE	14

### 74067011 11.5" REAR 14 BOLT - MASTER BEARING KIT

Ram 2500/3500

MODEL YEAR 2003 to Current

AAM PART #	DESCRIPTION	QTY
	PINION HEAD BEARING ASM (CUP & CONE)	1
	PINION TAIL BEARING ROLLER	1
	PINION TAIL BEARING RACE	1
	PINION SEAL	1
74003027	PINION NUT	1
74003244	PINION NUT WASHER	1
74001051	COLLAPSIBLE SPACER	1
74004499	DIFFERENTIAL BEARING ASM (CUP & CONE)	2

## Ram 11.5" Rear Axle

### 74046293 11.5" REAR 14 BOLT - 30 TOOTH - DIFFERENTIAL GEAR KIT

RAM 2500/3500

MODEL YEAR 2003 to 2010

AAM PART #	DESCRIPTION	QTY
	PINION GEAR	2
	SIDE THRUST WASHER	2
	PINION SHAFT RETAINING RING	1
	SIDE GEAR	2
	PINION SHAFT	1
	PINION THRUST WASHER	2

### 74020013 11.5" REAR 14 BOLT - PINION SEAL KIT

RAM 2500/3500

MODEL YEAR 2001 to Current

AAM PART #	DESCRIPTION	QTY
26064030	TRIPLE LIP PINION SEAL	1
40003255	PINION NUT WASHER	1
40011051	COLLAPSIBLE SPACER	1
40003027	PINION NUT	1
26060977	PINION SEAL SLEEVE	1

### 74030016 11.5" REAR STEEL - COVERPAN KIT

RAM 2500/3500

MODEL YEAR 2003 to Current

AAM PART #	DESCRIPTION	QTY
40013758	COVERPAN	1
40005967	RUBBER OVER METAL COVERPAN GASKET	1
40002169	COVERPAN BOLT W/ ADHESIVE	14
40007601	MAGNETIC FILL/DRAIN PLUG	1

#### VEHICLE REFERENCE GUIDE

RAM 2500/3500 2003+



**74030017 11.5" REAR ALUMINUM - COVERPAN KIT**

*RAM 2500/3500*

**MODEL YEAR 2003 to Current**

AAM PART #	DESCRIPTION	QTY
40057537	COVERPAN	1
40005967	RUBBER OVER METAL COVERPAN GASKET	1
40052287	COVERPAN BOLT W/ ADHESIVE	14
40007601	MAGNETIC FILL/DRAIN PLUG	1

**74070005 11.5" REAR SINGLE WHEEL - WHEEL END KIT**

*RAM 2500/3500*

**MODEL YEAR 2003 to Current**

AAM PART #	DESCRIPTION	QTY
40105400RACE	INNER WHEEL END RACE	1
40105400CONE	INNER WHEEL END BEARING	1
9428909	OUTER WHEEL END BEARING	1
9428539	OUTER WHEEL END RACE	1
40015029	HUB SEAL	2
341509	HUB NUT	2
40047505	HUB GASKET	2
	RETAINING RING - HUB	2
	HUB NUT LOCK	2
40020764	HEX BOLT W/ ADHESIVE	16

**74070006 11.5" REAR DUAL WHEEL - WHEEL END KIT**

*RAM 2500/3500*

**MODEL YEAR 2003 to Current**

AAM PART #	DESCRIPTION	QTY
40105402RACE	INNER WHEEL END RACE	1
40105402CONE	INNER WHEEL END BEARING	1
40012061	HUB SEAL	2
341509	HUB NUT	2
40047505	HUB GASKET	2
	RETAINING RING - HUB	2
	HUB NUT LOCK	2
40020764	HEX BOLT W/ ADHESIVE	16
9428909	OUTER WHEEL END BEARING	1
9428539	OUTER WHEEL END RACE	1

**74067018 11.5" REAR 14 BOLT - MASTER BEARING KIT**

*RAM 2500/3500*

**MODEL YEAR 2011 to Current**

AAM PART #	DESCRIPTION	QTY
40016979	DIFFERENTIAL BEARING ASM (CUP & CONE)	2
40003027	PINION NUT	1
40003255	PINION NUT WASHER	1
40011051	COLLAPSIBLE SPACER	1
40090049	PINION TAIL BEARING ROLLER	1
40090051	PINION TAIL TAPERED RACE	1
09418357	ROLLER ASM, BRG	1
26064030	PINION SEAL	1
09418358	PINION TAIL BEARING RACE	1





# Demand the original.

Axle Components | Driveshaft Components | Repair Kits

## Safety Information



**Warning – Failure to follow these instructions could affect vehicle performance and/or safety and result in personal injury or death.**

- **Do not convert or alter American Axle & Manufacturing axles except in accordance with vehicle manufacturer's instructions.**

American Axle & Manufacturing axles are designed to meet OE vehicle manufacturer's design and performance specifications. Improper conversion or alteration of these axles can damage the axles and/or other vehicle systems. Contact the OE manufacturer for specific directions and guidelines.

- **Do not change axle gear ratios on vehicles with anti-lock braking systems except in accordance with the vehicle manufacturer's instructions.**

Vehicles with anti-lock braking systems may utilize sensors and tone rings with the axle housing to ensure the functioning of the anti-lock brakes. Improperly changing the axle ratios may defeat the anti-lock braking system. If changing axle ratios will require changing the location of the tone ring on the ring gear flange to the location of the sensor in the axle housing, contact the OE manufacturer for specific directions and guidelines.

- **Do not reuse or substitute ring gear bolts.**

If you reuse a ring gear bolt or substitute an inferior-quality bolt, the bolt may loosen or back out of its threaded hole, causing severe damage to the axle gears and other components and possibly resulting in a sudden "locking up" of the axle and loss of control of the vehicle. Always use new bolts specifically recommended for the application and install bolts using proper tools and torquing to the proper specifications.



**CAUTION – Use of non-American Axle & Manufacturing parts may result in product failure and personal injury.**

American Axle & Manufacturing axles are designed for each model vehicle and manufactured and tested for safety and best performance. Replacement parts from other manufacturers may not be made to AAM's rigid quality standards. To be sure you're getting AAM quality, always use genuine AAM parts.



**This symbol warns of possible personal injury.**