



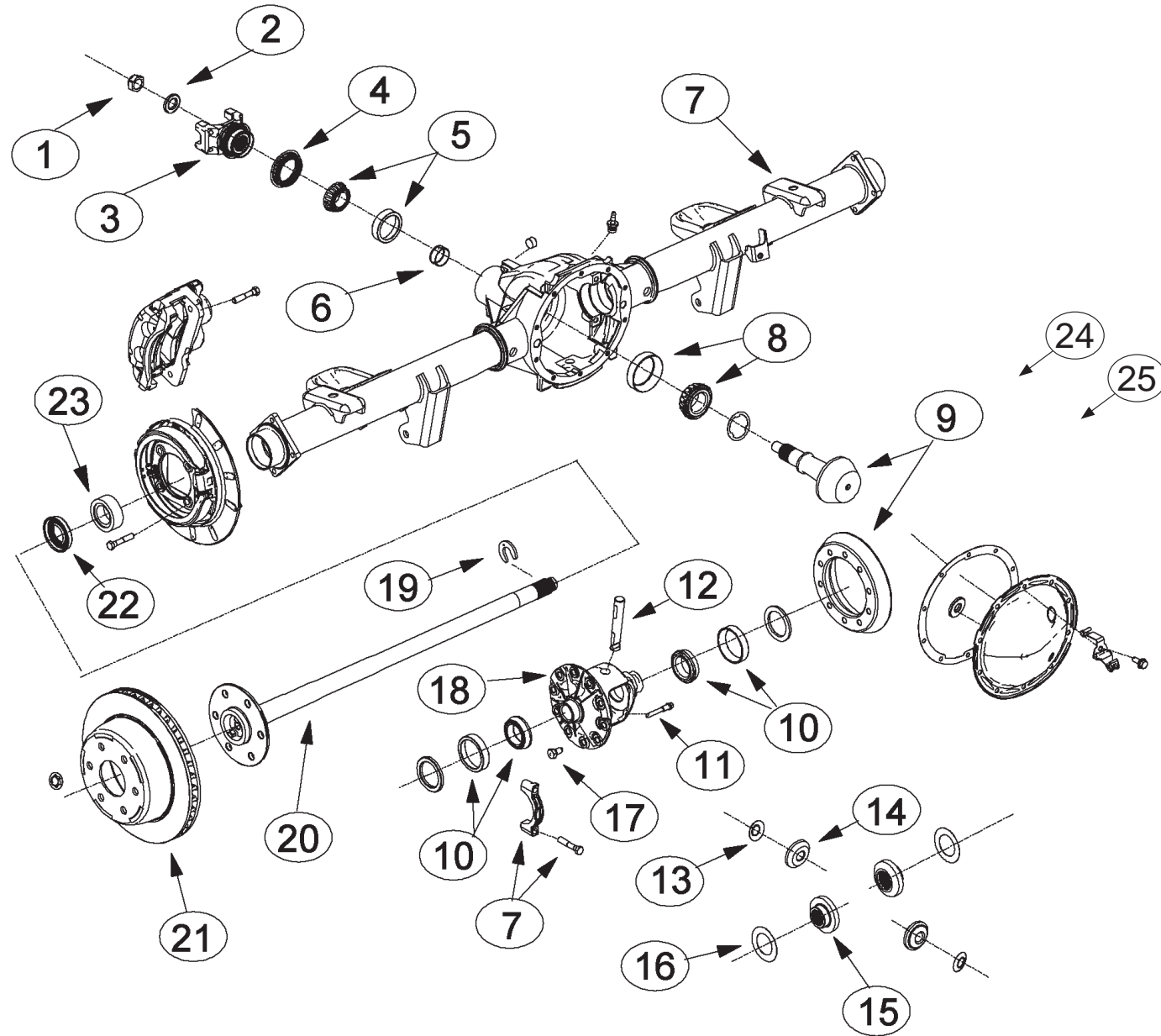
# Demand the original.

Axle Components | Driveshaft Components | Repair Kits



## AAM 860 10 BOLT

## GM 8.6" REAR AXLE



### VEHICLE REFERENCE GUIDE

C	TRUCK - 2-WHEEL DRIVE FULL-SIZE TRUCK & UTILITY
K	TRUCK - 4-WHEEL DRIVE FULL-SIZE TRUCK & UTILITY
R	TRUCK - "C" PICK-UP (PRIOR TO '87)
S	TRUCK - 2-WHEEL DRIVE MID-SIZE PICK-UPS AND BLAZERS - POSTAL TRUCKS 1982-1985
T	TRUCK - 4-WHEEL DRIVE MID-SIZE PICK-UPS AND BLAZERS
G	FULL-SIZE VAN (ALSO GMT-600), EXPRESS/SAVANA
V	TRUCK - "C" PICK-UP - 4WD (PRIOR TO '87)
B	CAR - CAPRICE, IMPALA, OLDSMOBILE, CUSTOM CRUISER

ILL #	AAM PART NUMBER	OE PART NUMBER	DESCRIPTION	REQ	USAGE	MODEL YEAR
1	74003762	9783762	PREVAILING TORQUE PINION NUT	1	C;K;R;V;S;T;G; B;D	1982+
2	74007900	517900	PINION NUT WASHER	1	C;K;R;V;S;T;G; B;D	1982+
3	40090474		PINION YOKE (1355 UJT; 4 FOOTED) WITHOUT SLEEVE	1	C;K;G	2009+
3	40029412	19207445	PINION YOKE (1344 U-JOINT; 4 FOOTED)	1	GMT355	2009+
4	74004028	26064028	PINION SEAL	1	C;K;R;V;S;T;G; B;D	1982+
4	74004029	26064029	PINION SEAL	1	C;K;G; GMT355	2009+
5	40030015	15286376	SMALL PINION YOKE BEARING ASM (CUP & CONE)	1	C;K;R;V;S;T;G; B;D	1982-2008
5	40048057	25824252	SMALL PINION YOKE BEARING ASM (CUP & CONE)	1	C;K;G; GMT355	2009+
6	40010355	12479162	COLLAPSIBLE SPACER	1	C;K;R;V;S;T;G; B;D	1982+
7			AXLE HOUSING		FOR REFERENCE ONLY	
8	40027030	15286375	LARGE PINION BEARING ASM (CUP & CONE)	1	C;K;R;V;S;T;G; B;D	1982-2008
8	40048051	25824251	LARGE PINION BEARING ASM (CUP & CONE)	1	C;K;G; GMT355	2009+
9	40049437	25824238	RING & PINION GEARSET (3.08 RATIO)	1	C;K;R;V;S;T;G; GMT355/360	1982+
9	40053033		RING & PINION GEARSET (3.08 RATIO)(ABS)		B;D	1986-1996
9	40049439	25824239	RING & PINION GEARSET (3.23 RATIO)	1	C;K;R;V;S;T;G; GMT355/360	1986-1996
9	40053035		RING & PINION GEARSET (3.23 RATIO)(ABS)		B;D	1986-1996
9	40053029		RING & PINION GEARSET (3.42 RATIO)(ABS)	1	B;D	1986-1996
9	40048438	25824237	RING & PINION GEARSET (3.42 RATIO)	1	C;K;R;V;S;T;G; GMT355/360+F9	1986+
9	40053037		RING & PINION GEARSET (3.73 RATIO)(ABS)		B;D	1986-1996
9	40049429	25824240	RING & PINION GEARSET (3.73 RATIO)	1	C;K;R;V;S;T;G; GMT355/360	1982+
9	40053031		RING & PINION GEARSET (4.10 RATIO)(ABS)	1	B;D	1982-1996
9	40049433	25824241	RING & PINION GEARSET (4.10 RATIO)	1	C;K;R;V;S;T;G; GMT355/360	2002+
9	40053802	25980264	RING & PINION GEARSET (4.56 RATIO)	1	HUMMER H3	2007-2010
10	74002361	26062361	DIFF. CASE BEARING ASM (CUP & CONE)	2	R;V;C;K;G;S;T	1988+
10	74000095	9420095	DIFF. CASE BEARING ASM (CUP & CONE)	2	R;V;C;K;G;S;T	1982-2003
10	40048054	25824250	DIFF. CASE BEARING ASM (CUP & CONE)	2	C;K;G	1999+
11	AVAILABLE IN KIT ONLY		PINION SHAFT LOCK SCREW	1	C;K;R;V;S;T;G; B;D	1982+
12	AVAILABLE IN KIT ONLY		PINION SHAFT	1	C;K;R;V;S;T;G; B;D	1985+
13	AVAILABLE IN KIT ONLY		PINION THRUST WASHER	2	C;K;R;V;S;T;G; B;D	1982+
14	AVAILABLE IN KIT ONLY		PINION GEAR	2	C;K;S;T;G-VAN	1982-2000
14	AVAILABLE IN KIT ONLY		PINION GEAR	2	C;K;S;T;G-VAN	2000+
15	AVAILABLE IN KIT ONLY		SIDE GEAR	2	C;K;R;V;S;T;G; B;D	1988-2003
15	AVAILABLE IN KIT ONLY		SIDE GEAR	2	C;K;B;D	1982-1995
15	AVAILABLE IN KIT ONLY		SIDE GEAR	2	C;K;S;T;G	1999-2000
16	AVAILABLE IN KIT ONLY		SIDE THRUST WASHER	2	C;K;R;V;S;T;G; B;D	1999+
17	40061033	11610549	SERRATED RING GEAR BOLT W/ ADHESIVE	1	C;K;R;V;S;T;G	1982+



**Demand the original.**

Axle Components | Driveshaft Components | Repair Kits



**AAM 860 10 BOLT**

**GM 8.6" REAR AXLE**

ILL #	AAM PART NUMBER	OE PART NUMBER	DESCRIPTION	REQ	USAGE	MODEL YEAR
18	74030481	26010481	DIFFERENTIAL OPEN CASE (WITHOUT INTERNALS) 28 TOOTH	1	C;K;R;V;S;T;G	1982-1999
18	40048044	19244836	DIFFERENTIAL OPEN CASE ASSEMBLY (WITH INTERNALS)	1	C;K;G; GMT355	2000+
19	74003322	3833322	AXLE C LOCK	2	C;K;R;V;S;T;G; B;D	1982+
20	26042818		AXLE SHAFT - L/R (846 MM, 30 TOOTH; 5 BOLT)		G	1986-1988
20	14042690		AXLE SHAFT L/R (846 MM, 28 TOOTH)		G	1975-1989
20	15521892		AXLE SHAFT L/R (796 MM, 28 TOOTH, 6 BOLT)		C;K	1988+
20	74020415	26010415M	AXLE SHAFT (797 MM; 30 TOOTH; 5 BOLT; DRUM)	2	C	1988-1991
20	74023313	26013313	AXLE SHAFT (846 MM; 30 TOOTH; 5 BOLT; DRUM)	2	G	1988-1995
20	40016171	12479285	AXLE SHAFT (853 MM; 30 TOOTH; 6 BOLT; DRUM)	2	C;K	2006+
20	40019701	15286380	AXLE SHAFT (866 MM; 30 TOOTH; 6 BOLT; DISC)	2	C/K	2007+
20	40019702		AXLE SHAFT W/STUDS L/R (866 MM; 30 TOOTH)	1	GMT900	2006+
20	40040544		AXLE SHAFT W/STUDS (854 MM; 30 TOOTH, 6 BOLT)	1	GMT345	2006+
20	74020414	26010414M	AXLE SHAFT (796 MM; 30 TOOTH; 6 BOLT; DRUM)	2	K	1988-1991
20	40032788	19133412	AXLE SHAFT - LEFT HAND (841 MM; 30 TOOTH; 6 BOLT; DISC)	1	GMT370,S;T/GMT368,SSR	2002+
20	40032789	19133413	AXLE SHAFT -RIGHT HAND (803 MM; 30 TOOTH; 6 BOLT; DISC)	1	GMT370,S;T/GMT368,SSR	2002+
	74020146	26010416M	AXLE SHAFT (839 MM; 30 TOOTH, 6 BOLT)	1	C;K	1989+
20	74020417	26010417M	AXLE SHAFT (808 MM; 30 TOOTH; 5 BOLT; DRUM)	1	C;K	1992-1998
20	40052047	19207447	AXLE SHAFT ASM-RIGHT HAND (731.69 MM; 30 TOOTH; 6 BOLT; DRUM)	1	GMT355	2008+
20	40052044	19207449	AXLE SHAFT ASM- LEFT HAND (775.28 MM; 30 TOOTH; 6 BOLT; DRUM)	1	GMT355	2008+
20	40052055	19207452	AXLE SHAFT ASM-RIGHT HAND (761.69 MM; 30 TOOTH; 6 BOLT; DRUM)	1	GMT355	2008+
20	40052050	19207454	AXLE SHAFT ASM- LEFT HAND (805.28 MM; 30 TOOTH; 6 BOLT; DRUM)	1	GMT355	2008+
21			DRUM & ROTOR		FOR REFERENCE ONLY	
22	40001710	12471686	OUTPUT SEAL	2	C;K;S;T;G	1988+
23	40008157	12479031	ROLLER BEARING ASM	2	C;K;S;T;G	1988+
24	40026737	15807693	COVERPAN GASKET	1	C;K;R;V;S;T;G	1982+
24	40018901	15860607	RUBBER OVER METAL COVERPAN GASKET	1	C/K	2009+
25	40026278	15286381	COVERPAN	1	C;K;R;V;S;T;G	1982+
25	40039162	25824253	COVERPAN	1	C/K	2009+

**74010008 8.6" REAR 10 BOLT - MASTER INSTALL KIT**  
Sierra, Silverado, Silverado SS, Tahoe, Yukon, Escalade, Avalanche, Suburban, H3, H3T, Savana, Express, SSR, S10, Sonoma, Blazer, Jimmy, Bravada, Saab 9-7X  
MODEL YEAR 1998 to Current

AAM PART #	O.E. PART #	DESCRIPTION	QTY
74003322	3833322	AXLE C LOCK	2
40018901		RUBBER OVER METAL COVERPAN GASKET	2
40060238		SPECIAL COVERPAN BOLT	2
74004028	26064028	PINION SEAL	1
		SIDE SHIM	10
		PINION SHIM	31
	26060975	PINION SEAL SLEEVE	1
74004029	26064029	PINION SEAL	1
40007601		MAGNETIC FILL/DRAIN PLUG	1
40061033	11610549	SERRATED RING GEAR BOLT W/ ADHESIVE	10
74007900	517900	PINION NUT WASHER	1
74003762	9783762	PREVAILING TORQUE PINION NUT	1
40010355	12479162	COLLAPSIBLE SPACER	1
40001710	12471686	OUTPUT SEAL	2
40002169		COVERPAN BOLT W/ ADHESIVE	10

**74067008 8.6" REAR 10 BOLT - MASTER BEARING KIT**  
Silverado, Sierra, Yukon, Denali, Suburban, Escalade, Avalanche, H3, H3T  
MODEL YEAR 1999 to 2008  
Except 98-03 Highwider and Full Size Van

AAM PART #	O.E. PART #	DESCRIPTION	QTY
	40027032	PINION HEAD BEARING ROLLER	1
	40027031	PINION HEAD BEARING RACE	1
	40030017	PINION TAIL BEARING ROLLER	1
	40030016	PINION TAIL BEARING RACE	1
74003762	9783762	PREVAILING TORQUE PINION NUT	1
74007900	517900	PINION NUT WASHER	1
	40010355	COLLAPSIBLE SPACER	1
	26061095	DIFF BEARING ROLLER	2
74000095	26061096	DIFF BEARING RACE	2
	26064028	PINION SEAL	1

**74067007 8.6" REAR 10 BOLT - MASTER BEARING KIT**  
S10, Sonoma, Blazer, Jimmy, Bravada, Silverado, Sierra, Suburban, Savana, Express  
MODEL YEAR 1982 to 1998

AAM PART #	O.E. PART #	DESCRIPTION	QTY
	40027032	PINION HEAD BEARING ROLLER	1
	40027031	PINION HEAD BEARING RACE	1
	40030017	PINION TAIL BEARING ROLLER	1
	40030016	PINION TAIL BEARING RACE	1
74003762	9783762	PREVAILING TORQUE PINION NUT	1
74007900	517900	PINION NUT WASHER	1
	40010355	COLLAPSIBLE SPACER	1
	457233	DIFF BEARING ROLLER	2
74000095	9420096	DIFF BEARING RACE	2
	26064028	PINION SEAL	1

**74067016 8.6" ENHANCED MASTER BEARING KIT**  
S10, Sonoma, Blazer, Jimmy, Bravada, Silverado, Sierra, Yukon, Tahoe, Suburban, Escalade, Denali, Savana, Express, H3, H3T  
MODEL YEAR 2009+

AAM PART #	O.E. PART #	DESCRIPTION	QTY
40055216		DIFF BEARING ROLLER	2
40055217		DIFF BEARING RACE	2
40048060		PINION HEAD BEARING ROLLER	1
40048058		PINION TAIL BEARING RACE	1
40048052		PINION BEARING ROLLER	1
40048053		TAPERED RACE BEARING	1
40010355		COLLAPSIBLE SPACER	1
517900		PINION NUT WASHER	1
9783762		PREVAILING TORQUE PINION NUT	1

**74040887 8.6" REAR 10 BOLT- 30 TOOTH - DIFFERENTIAL GEAR KIT**  
S10, Sonoma, Blazer, Jimmy, Bravada, Silverado, Sierra, Yukon, Tahoe, Suburban, Escalade, Denali, Savana, Express, H3, H3T  
MODEL YEAR 2009 to Current

AAM PART #	O.E. PART #	DESCRIPTION	QTY
		PINION GEAR	2
		SIDE THRUST WASHER	2
		SIDE GEAR	2
		PINION SHAFT	1
		PINION THRUST WASHER	2
		PINION SHAFT LOCK SCREW	1



# Demand the original.

Axle Components | Driveshaft Components | Repair Kits



## AAM 860 10 BOLT

### 74047014 8.6" REAR 10 BOLT - 30 TOOTH - DIFFERENTIAL GEAR KIT

S10, Sonoma, Blazer, Jimmy, Bravada, Silverado, Sierra, Yukon, Suburban, Escalade, Savana, Express, Caprice, G-Van 1500

MODEL YEAR 1999 - Mid 2000 (Large Hub)

AAM PART #	O.E. PART #	DESCRIPTION	QTY
		SIDE GEAR	2
		SIDE THRUST WASHER	2
		PINION SHAFT LOCK SCREW	1
		PINION GEAR	2
		PINION THRUST WASHER	2
		PINION SHAFT	1

### 74040441 8.6" REAR 10 BOLT - 30 TOOTH - DIFFERENTIAL GEAR KIT

S10, Sonoma, Blazer, Jimmy, Bravada, Silverado, Sierra, Yukon, Suburban, Escalade, Savana, Express, Caprice, G-Van 1500

MODEL YEAR 1990 - 1998 (Small Hub)

AAM PART #	O.E. PART #	DESCRIPTION	QTY
		PINION GEAR	2
		SIDE THRUST WASHER	2
		SIDE GEAR	2
		PINION SHAFT	1
		PINION THRUST WASHER	2
		PINION SHAFT LOCK SCREW	1

### 74046964 8.6" REAR 10 BOLT - 28 TOOTH - DIFFERENTIAL GEAR KIT

S10, Sonoma, Blazer, Jimmy, Bravada, Silverado, Sierra, Yukon, Suburban, Escalade, Savana, Express, Caprice, G-Van 1500

MODEL YEAR 1982 - 1989 (Small Hub)

AAM PART #	O.E. PART #	DESCRIPTION	QTY
		PINION GEAR	2
		THRUST WASHER	2
		SIDE GEAR	2
		PINION SHAFT	1
		PINION THRUST WASHER	2
		PINION SHAFT LOCK SCREW	1

## GM 8.6" REAR AXLE

### 74047015 8.6" REAR 10 BOLT-30 TOOTH - DIFFERENTIAL GEAR KIT

S10, Sonoma, Blazer, Jimmy, Bravada, Silverado, Sierra, Yukon, Tahoe, Suburban, Escalade, Denali, Savana, Express, H3, H3T

MODEL YEAR Mid 2000 - 2008 (Large Hub)

AAM PART #	O.E. PART #	DESCRIPTION	QTY
		PINION GEAR	2
		SIDE THRUST WASHER	2
		SIDE GEAR	2
		PINION SHAFT	1
		PINION THRUST WASHER	2
		PINION SHAFT LOCK SCREW	1

### 74020007 8.6" REAR 10 BOLT - PINION SEAL KIT

Silverado, Sierra, Yukon, Avalanche, Escalade, Jimmy, Bravada, Express, Suburban, Colorado, Canyon, H3, Trailblazer, Envoy, S10, Rainier, Blazer, Jimmy, Savana, Express, Tahoe, Astro, Sonoma, Safari

MODEL YEAR Mid 1998 to Current

AAM PART #	O.E. PART #	DESCRIPTION	QTY
74004028	26064028	PINION SEAL	1
74003762	9783762	PREVAILING TORQUE PINION NUT	1
74007900	517900	PINION NUT WASHER	1
40010355	12479162	COLLAPSIBLE SPACER	1
74004029	26064029	PINION SEAL	1
	26060975	PINION SEAL SLEEVE	1

### 74050011 8.6" REAR 10 BOLT - OUTPUT SHAFT SEAL KIT

Sierra, Silverado, Tahoe, Yukon, Escalade, Suburban, H3, H3T, Savana, Express

MODEL YEAR Mid 1998 to Current

AAM PART #	O.E. PART #	DESCRIPTION	QTY
40001710	12471686	OUTPUT SEAL	2
40030759		EXCITER RING	2
40008157		ROLLER BEARING ASM	2
74003322	3833322	AXLE C LOCK	2
40016199		TONE RING	2

### 74030005 8.6" REAR 10 BOLT - COVERPAN KIT

Trailblazer, Envoy (Extended Version)

MODEL YEAR 2002 to 2009

AAM PART #	O.E. PART #	DESCRIPTION	QTY
40027020		COVERPAN	1
40004267		RUBBER OVER METAL COVERPAN GASKET	1
40002169		COVERPAN BOLT W/ ADHESIVE	10

### 74030006 8.6" REAR 10 BOLT - COVERPAN KIT

H3, H3T, Colorado, Canyon

MODEL YEAR 2004 to Current

AAM PART #	O.E. PART #	DESCRIPTION	QTY
40045940		COVERPAN	1
40018901		RUBBER OVER METAL COVERPAN GASKET	1
40002169		COVERPAN BOLT W/ ADHESIVE	10
40060238		SPECIAL COVERPAN BOLT	2
40007601		MAGNETIC FILL/DRAIN PLUG	1

### 74030007 8.6" REAR 10 BOLT - COVERPAN KIT

Sierra, Silverado, Yukon, Tahoe, Escalade, Avalanche, Savana, Express, S10, Sonoma, Blazer, Jimmy, Bravada

MODEL YEAR 1998 to Current

AAM PART #	O.E. PART #	DESCRIPTION	QTY
40039162		COVERPAN	1
40018901		RUBBER OVER METAL COVERPAN GASKET	1
40002169		COVERPAN BOLT W/ ADHESIVE	10
40007601		MAGNETIC FILL/DRAIN PLUG	1