



INSTRUCTION MANUAL & PARTS BREAKDOWN



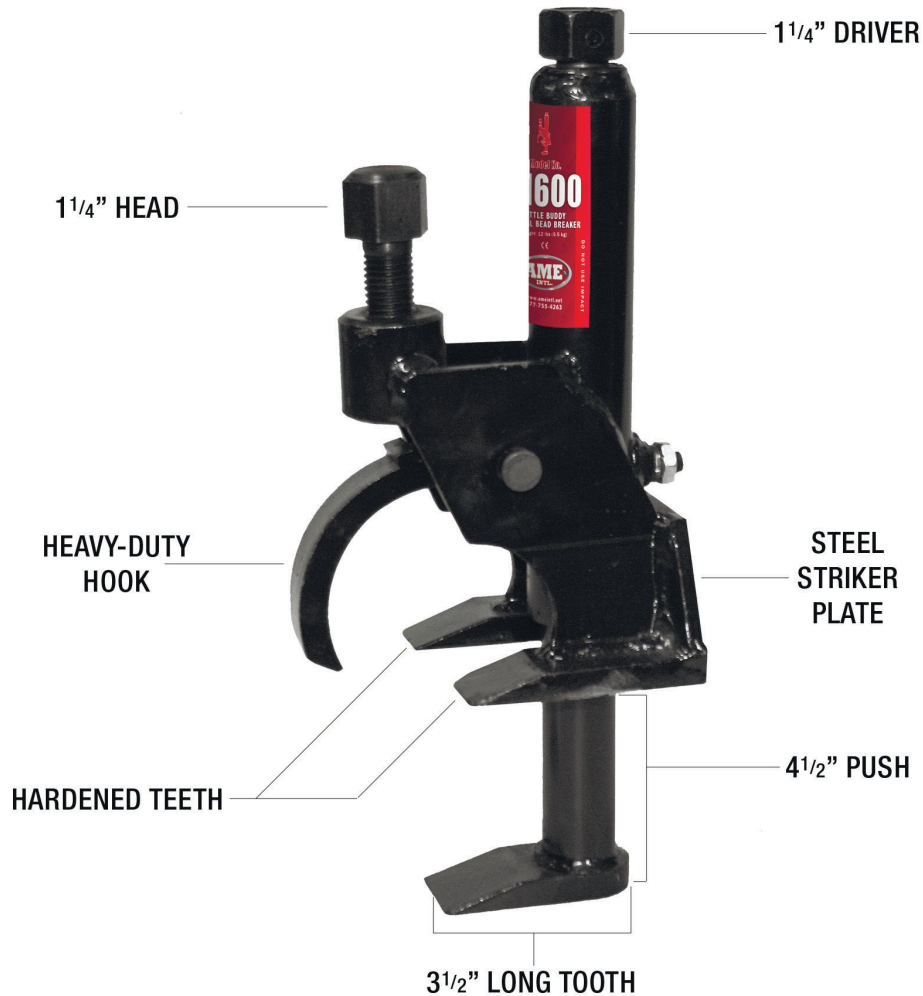
Model 71600

Little Buddy Manual Bead Breaker



INSTRUCTION MANUAL & PARTS BREAKDOWN

Model # 71600



- Loosens tire bead from rim with leverage.
- Excellent for tire work or replacement without removing the wheel from the vehicle.
- Handles up to 38" and 42" 14-ply, farm tractor and backhoe tires with drop center rims: Also works with small ATV and lawnmower tires.
- Operates with hand wrench or air ratchet wrench.
* Do Not Use Air Impact tool.



INSTRUCTION MANUAL & PARTS BREAKDOWN

Tools required: adjustable wrench, open end wrench, or air ratchet.

*** DO NOT use impact wrench as it will damage the bead breaker.**



1. Place bead breaker onto the rim with teeth and breaker foot between rim & tire bead.



2. Tighten rim clamp jaw until "snug" with hand wrench. Make sure bead breaker teeth and foot are against bead.



INSTRUCTION MANUAL & PARTS BREAKDOWN

3. Continue tightening with wrench until snug. Do NOT overtighten!!

4. Using the wrench, begin turning the bead breaker nut clockwise.

This will begin driving the bead breaker foot downward.



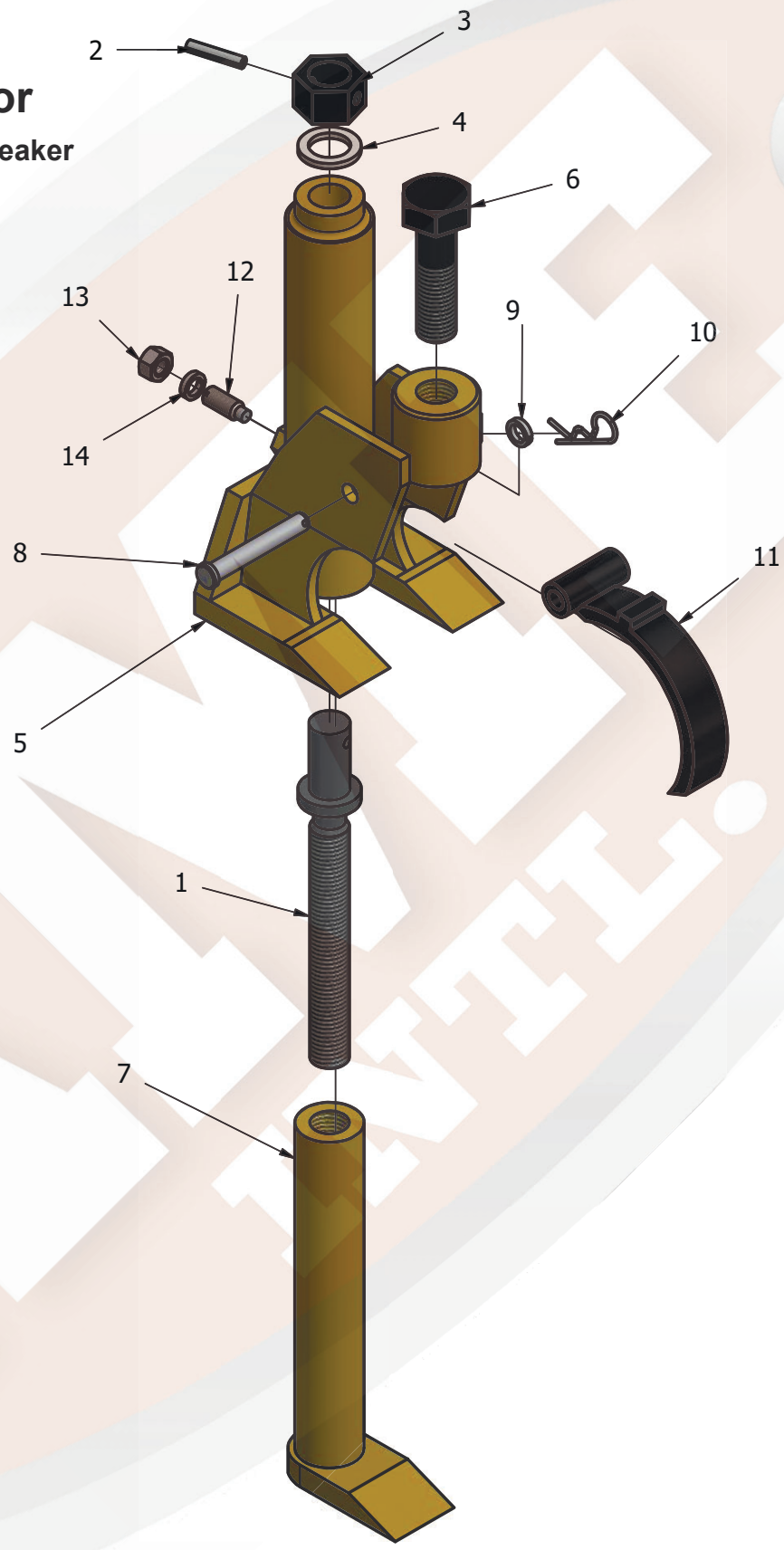
5. Continue to turn clockwise until bead is broken loose from rim. If necessary, Repeat this process in 2 to 3 locations on each side of the wheel until entire bead is broken.





INSTRUCTION MANUAL & PARTS BREAKDOWN

Parts List For Little Buddy Bead Breaker 71600





INSTRUCTION MANUAL & PARTS BREAKDOWN

Parts List For Little Buddy Bead Breaker 71600

PARTS LIST			
ITEM	QTY	PART NUMBER	DESCRIPTION
1	1	71600-001	Long Screw
2	1	71600-002	Elastic Pin
3	1	71600-003	Hex Nut
4	1	71600-004	Washer
5	1	71600-005	Bush Assembly
6	1	71600-006	Short Bolt
7	1	71600-007	Claw Assembly
8	1	71600-008	Clevis Pin
9	1	71600-009	Washer
10	1	71600-010	Cotter Pin
11	1	71600-011	Hook
12	1	71600-012	Bolt
13	1	71600-013	Hex Nut
14	1	71600-014	Spring Washer