



INSTRUCTION AND PARTS MANUAL



MODEL #15080

HYDRAULIC HAND PUMP

AME INTERNATIONAL



Repair Parts Sheet

15080 Hand Pumps

15080 Models-Date Codes beginning with the letter "H".

To Protect Your Warranty, Use Only AME Hydraulic Oil

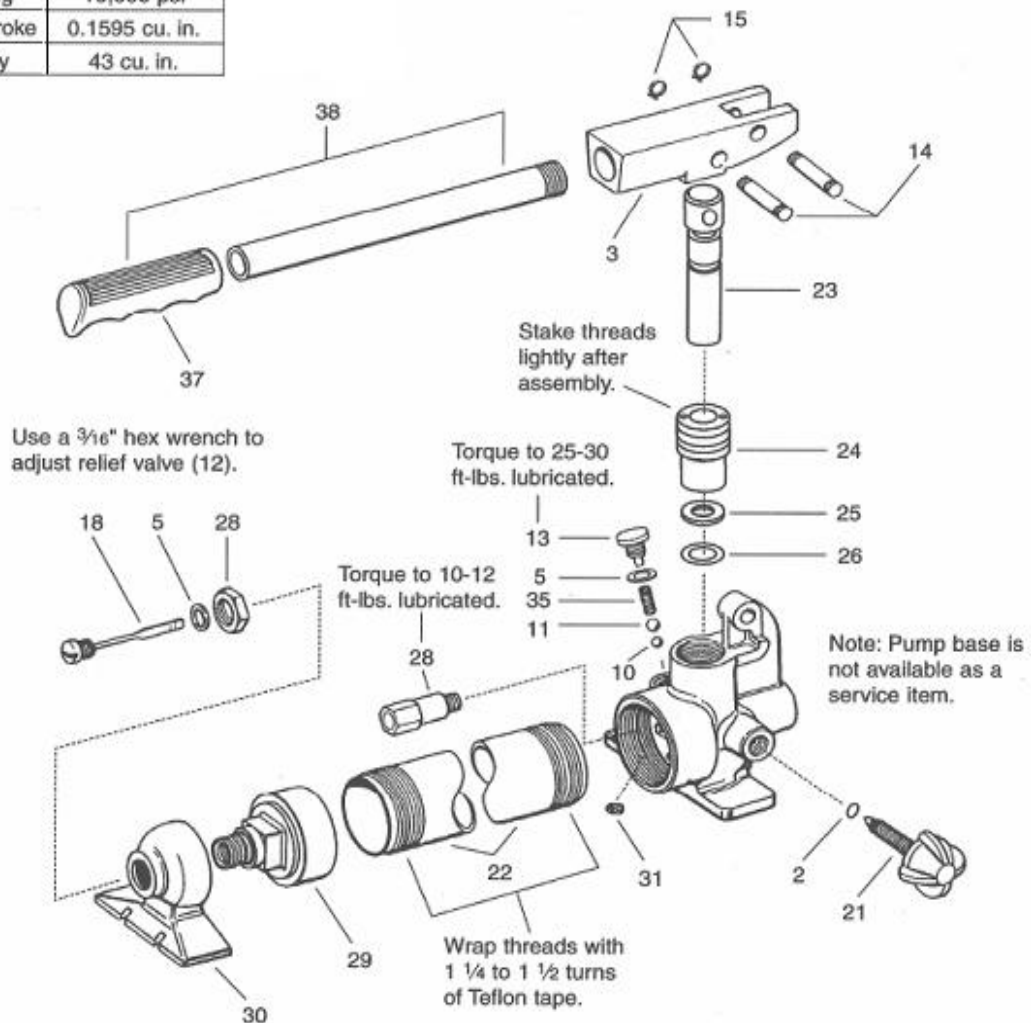
AME recommends that all kit components be installed to insure optimum performance of the repaired product



WARNING: To ensure that the internal relief valve setting is correct, check the model number. When servicing the product. The setting may require adjustment based on the pressure setting designated by the dash code (-XXXX) of the model number.

SPECIFICATIONS

Model Number	P-39, 1003
Operating Pressure	10,000 psi max.
Relief Valve Setting	10,000 psi
Oil Volume per Stroke	0.1595 cu. in.
Reservoir Capacity	43 cu. in.



Repair Parts List for 15080 Hand Pumps

Item	Part No	Stock No	Qty	Description	Item	Part No	Stock No	Qty	Description
2	15080-002	★	1	O - Ring	23	15080-023	DA8954900SR	1	Piston Link Assembly
3	15080-003	B113060-1	1	Beam	24	15080-024	DA6853446SR	1	Piston Sleeve (Inc. item 25 and 26)
5	15080-004	★	2	Gasket	25	15080-025	★	1	O - Ring
10	15080-010	★	1	Ball	26	15080-026	★	1	Teflon Back-Up Ring
11	15080-011	★	1	Ball	28	15080-028	P75181	1	Lock Nut
12	15000-026	DA8802900SR	1	Relief Valve Assembly	29	15080-029	P75266-1	1	Reservoir
13	15080-013	K3006SR,	1	Valve Plug (Includes items 5,10,11 and 35)	30	15080-030	P76267-1	1	Pump Rest
14	15080-014	DC106061SR	2	Beam Pin (inc. two of item 15)	31	15080-031	★	1	Oil Strainer
15	15080-015	★	4	Retaining Ring	35	15080-035	★	1	Spring
18	15080-018	B110900SR	1	Filter Plug (Inc. item 5)	37	15080-037	CL343550	1	Grip
21	15080-021	DA8786900SR	1	Release Valve (Inc. item 2)	38	15080-38	C7900SR	1	Handle/Grip Assembly
22	15080-022	B381025	1	Reservoir - P18 Only					
		P1625	1	Reservoir					

★
Items included in and available only as part of Repair 15080-RK.