



INSTRUCTION MANUAL & PARTS BREAKDOWN



Model 14400

44 Ton Heavy Duty Jack Stands (Pair)



INSTRUCTION MANUAL & PARTS BREAKDOWN

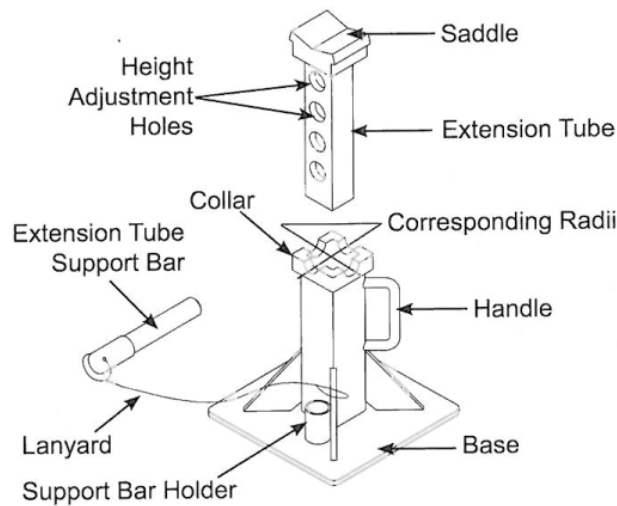
For your safety, read, understand and follow the information provided with and on these jacks stands. The owner and operator shall have an understanding of these jack stands and safe operating procedures before attempting to use. The owner and operator shall be aware that use of this product may require special skills and knowledge. Instructions and safety information shall be conveyed in the operator's native language before use of the these stands are authorized. Make certain that the operator thoroughly understands the inherent dangers associated with the use and misuse of the product. If any doubt exists as to the safe and proper used of the jack stands, remove from services immediately. Inspect before each use. Do not use if there are broken, bent, cracked or damaged parts (including labels). Any jack stand that appears damaged in any way, or operates abnormally shall be removed from service immediately. If the jack stand has been or is suspected to have been subjected to a shock load (a load dropped suddenly, unexpectedly upon it) immediately discontinue use until jack stand has been inspected. It is recommended that an annual inspection be done by qualified personnel. Labels and Operator's Manuals are available form manufacturer.

Product Description

AME Heavy Duty Pin Style Jack Stands are designed to safely support one end of level, rated capacity loads, typically vehicles, for extended periods. Heavy gauge steel base section and welded construction helps prevent distortion and twisting. Compliance with the latest ASME/ANSI- PALD standards ensure safety, strength and stability. **RATED CAPACITY IS PER PAIR ONLY! USE ONLY ONE PAIR PER VEHICLE.**

SPECIFICATIONS

MODEL	CAPACITY	BASE SIZE	MIN. HEIGHT	MAX HEIGHT	NET WEIGHT
14400	22 TON EACH	3 3/4" X 3 3/4"	12 1/4"	19 7/8"	64 LB





INSTRUCTION MANUAL & PARTS BREAKDOWN

BEFORE USE

1. Inspect stands before each use. Do not use if bent, broken or cracked components are noted. Ensure that all parts move freely.
2. Verify that the product and the application are compatible, if in doubt call Omega Technical Service (888) 332-6419.
3. Before using this product, read the operator's manual completely and familiarize yourself thoroughly with the product and the hazards associated with its improper use.
4. Insert roll pin into the bottom hole of the extension tube to prevent inadvertent loss of the extension tube. Model 32225 is pre-installed.
5. Always check the vehicle owners or service manual for location of proper lift and support points.

WARNING

- Study, understand and follow all instructions provided with and on this device before use.
- **Rated capacity is per pair!** Do not exceed rated capacity.
- Use only on hard, level surface.
- Center load on saddle.
- Use as a matched pair to support one end of a vehicle only. One pair per vehicle only.
- Jack stands are not to be used to simultaneously support both ends or one side of a vehicle.
- No alterations shall be made to this device.
- Failure to heed these markings may result in personal injury and/or property damage.

OPERATION

IMPORTANT! Rated capacity is per pair. Use **ONLY** one pair per vehicle. No alterations shall be made to this device. Do not use adapters or accessories on the saddle or base frame.

1. Adjust saddle height by pulling up the extension tube, then insert the tube support bar through the hole on extension tube.
2. For models 32105 & 32107: Ensure that support bar is secure before loading. Insert support bar into the extension tube far enough to create equal distance of bar extending from the extension tube on both sides.
For model 32225: Check to ensure support bar is secure and nested across 2 corresponding radii before loading. Ensure that support bar is inserted completely so that bar stop engages the collar.
3. Carefully position stands so that load is centered on stand's saddle.
4. Slowly lower the vehicle onto the stands.
5. Check to ensure that vehicle is secure before working on, around or under. When used to support vehicle, use wheel chocks to prevent inadvertent movement.

To lower load

WARNING

Be sure all tools and personnel are clear before lowering load.

1. With suitable jack, raise vehicle clear of stands.
2. Carefully release support bar and allow extension tube to glide down to lowest position.
3. Carefully remove stands, then carefully lower vehicle with jack.



INSTRUCTION MANUAL & PARTS BREAKDOWN

ONE YEAR LIMITED WARRANTY

For a period of one (1) year from date of purchase, AME International will repair or replace, at its option, without charge, any of its products, which fails due to a defect in material or workmanship under normal usage. This limited warranty is a consumer's exclusive remedy.

Except where such limitations and exclusions are specifically prohibited by applicable law, (1) THE CONSUMER'S SOLE AND EXCLUSIVE REMEDY SHALL BE THE REPAIR OR REPLACEMENT OF DEFECTIVE PRODUCTS AS DESCRIBED ABOVE. (2) AME Intl SHALL NOT BE LIABLE FOR ANY CONSEQUENTIAL OR INCIDENTAL DAMAGE OR LOSS WHATSOEVER. (3) ANY IMPLIED WARRANTIES, INCLUDING WITHOUT LIMITATION THE IMPLIED WARRANTIES OF MERCHANTABILITY AND FITNESS FOR A PARTICULAR PURPOSE, SHALL BE LIMITED TO ONE YEAR, OTHERWISE THE REPAIR, REPLACEMENT OR REFUND AS PROVIDED UNDER THIS EXPRESS LIMITED WARRANTY IS THE EXCLUSIVE REMEDY OF THE CONSUMER, AND IS PROVIDED IN LIEU OF ALL OTHER WARRANTIES, EXPRESS OR IMPLIED. (4) ANY MODIFICATION, ALTERATION, ABUSE, UNAUTHORIZED SERVICE OR ORNAMENTAL DESIGN VOIDS THIS WARRANTY AND IS NOT COVERED BY THIS WARRANTY.

Some states do not allow limitations on how long an implied warranty lasts, so the above limitation may not apply to you. Some states do not allow the exclusion or limitation of incidental or consequential damages, so the above limitation or exclusion may not apply to you. This warranty gives you specific legal rights, and you may also have other rights, which vary from state to state.