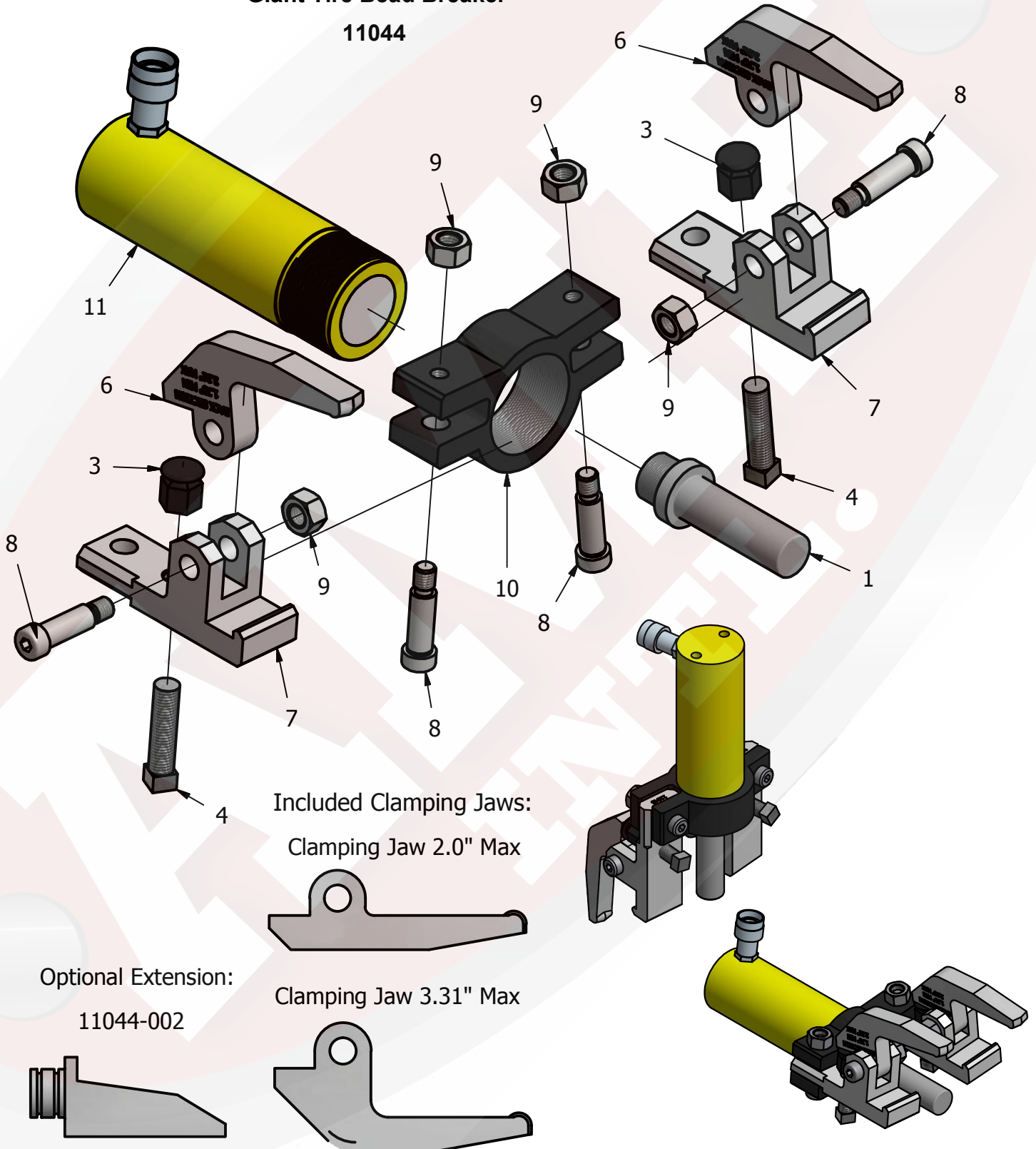




PARTS BREAKDOWN

Parts List For Giant Tire Bead Breaker 11044



Included Clamping Jaws:
Clamping Jaw 2.0" Max

Optional Extension:
11044-002

Clamping Jaw 3.31" Max



PARTS BREAKDOWN

Parts List For Giant Tire Bead Breaker 11044

ITEM	QTY	PART NUMBER	DESCRIPTION
1	1	11044-001	Bead Breaker Extension
2	1	11044-002	Bead Breaker Extension (Optional)
3	2	11046-001	Swivel Pad
4	2	11046-002	Screw
5	2	11046-003	Clamping Jaw Back Section: 2.0" Max
6	2	11046-004	Clamping Jaw Back Section: 1.75" Min 3.31" Max
7	2	11046-005	Rim Gutter Arm
8	4	11046-006	3/4" Shoulder x 2" x 5/8 - 11 Screw
9	4	11046-007	Hex Nut
10	1	11047	Bead Breaker Frame
11	1	13100	Cylinder, 25T 6" Stroke