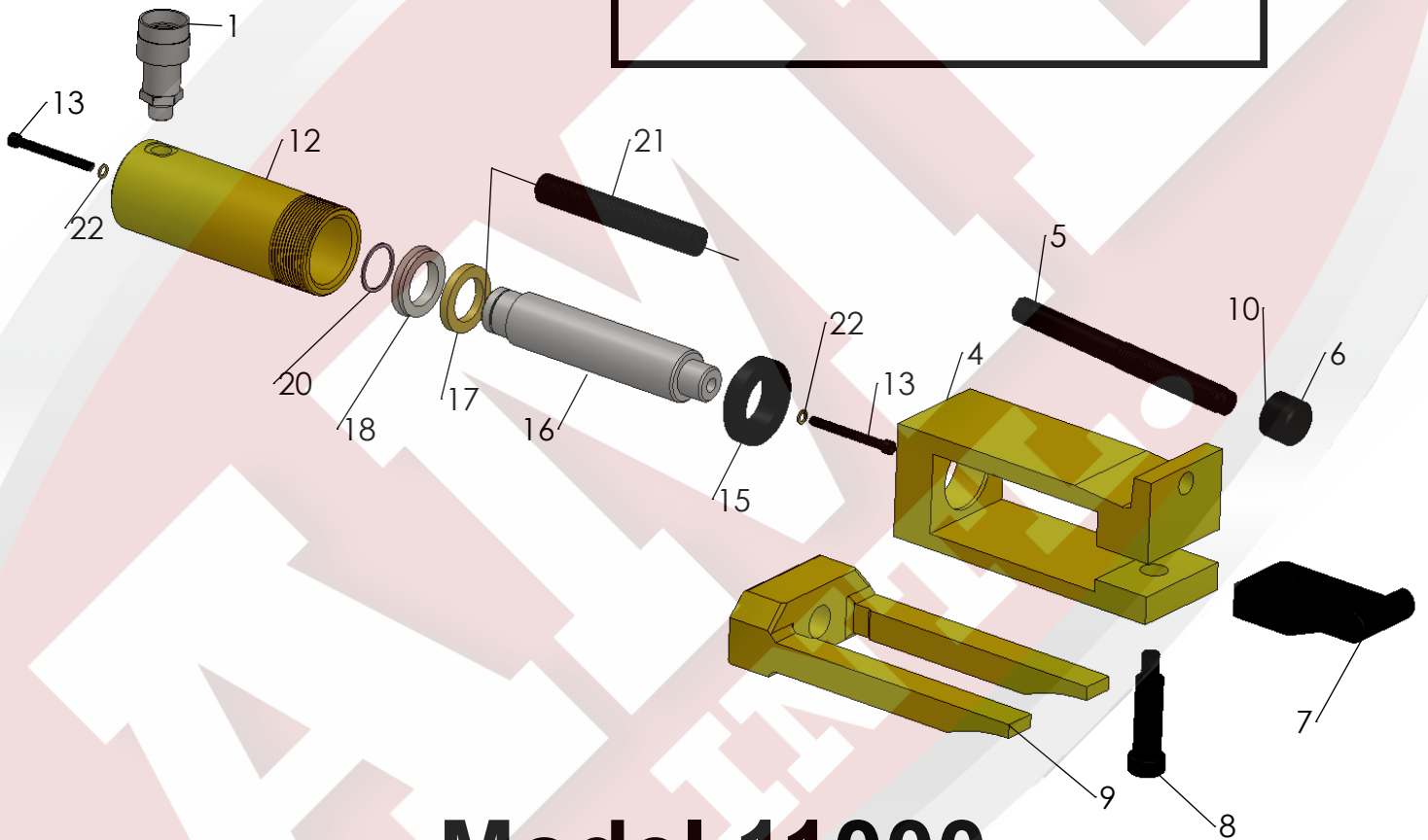




PARTS BREAKDOWN



Model 11000
OTR Giant Tire Bead Breaker



PARTS BREAKDOWN

BEAD BREAKER

Max. Capacity: 13.8 Ton At 10,000 PSI

| ITEM | PART | STOCK | NO. | |
|------|------------|------------|------------------|--|
| NO | NO. | NO. | DESCRIP- TION | DESCRIPTION |
| 1 | 16060 | 10606 | 1 | Ram Half Coupler with Dust Cap |
| 2 | 11000-006 | 45054YE3 | 1 | Cylinder Assembly |
| 4 | 11000-004 | 58448YE3 | 1 | Frame |
| 5 | 11000-005 | 34184 | 1 | Set Screw |
| 6 | 11000-006A | 28705 | 1 | Pressure Nut |
| 7 | 11000-007 | 36958 | 1 | Hook |
| 8 | 11000-008 | 22469 | 1 | Set Screw (3/4 dia. X 2 - 1/4 Lg.; Torque to 40/60 ft. lbs. |
| 9 | 11000-009 | 58449YE3 | 1 | Clevis |
| 10 | 11000-010 | DA11816049 | 1 | Retaining Ring |



PARTS BREAKDOWN

Parts List For Tire Bead Breaker Model 11000

CYLINDER ASSEMBLY

| ITEM | PART | STOCK | NO. | |
|------|-----------|--------|-------|----------------------------|
| NO | NO | NO. | REQ'D | DESCRIPTION |
| 11 | 11000-011 | 11127 | 1 | Fitting Plug (3/8 NPTF) |
| 12 | 11000-012 | 44857 | 1 | Body, Cylinder |
| 13 | 11000-013 | 10020 | 2 | Soc. Hd. Cap Screw |
| 15 | 11000-015 | 351115 | 1 | Guide, Rod |
| 16 | 11000-016 | 421142 | 1 | Rod, Piston |
| 17 | 11000-017 | 207798 | 1 | Bearing, Piston |
| 18 | 11000-018 | 207796 | 1 | U Cup |
| 20 | 11000-020 | 13654 | 1 | Ring, Retainer |
| 21 | 11000-021 | 202625 | 1 | Spring Assembly |
| 22 | 11000-022 | 10442 | 2 | Washer, Copper (.37 x .25) |