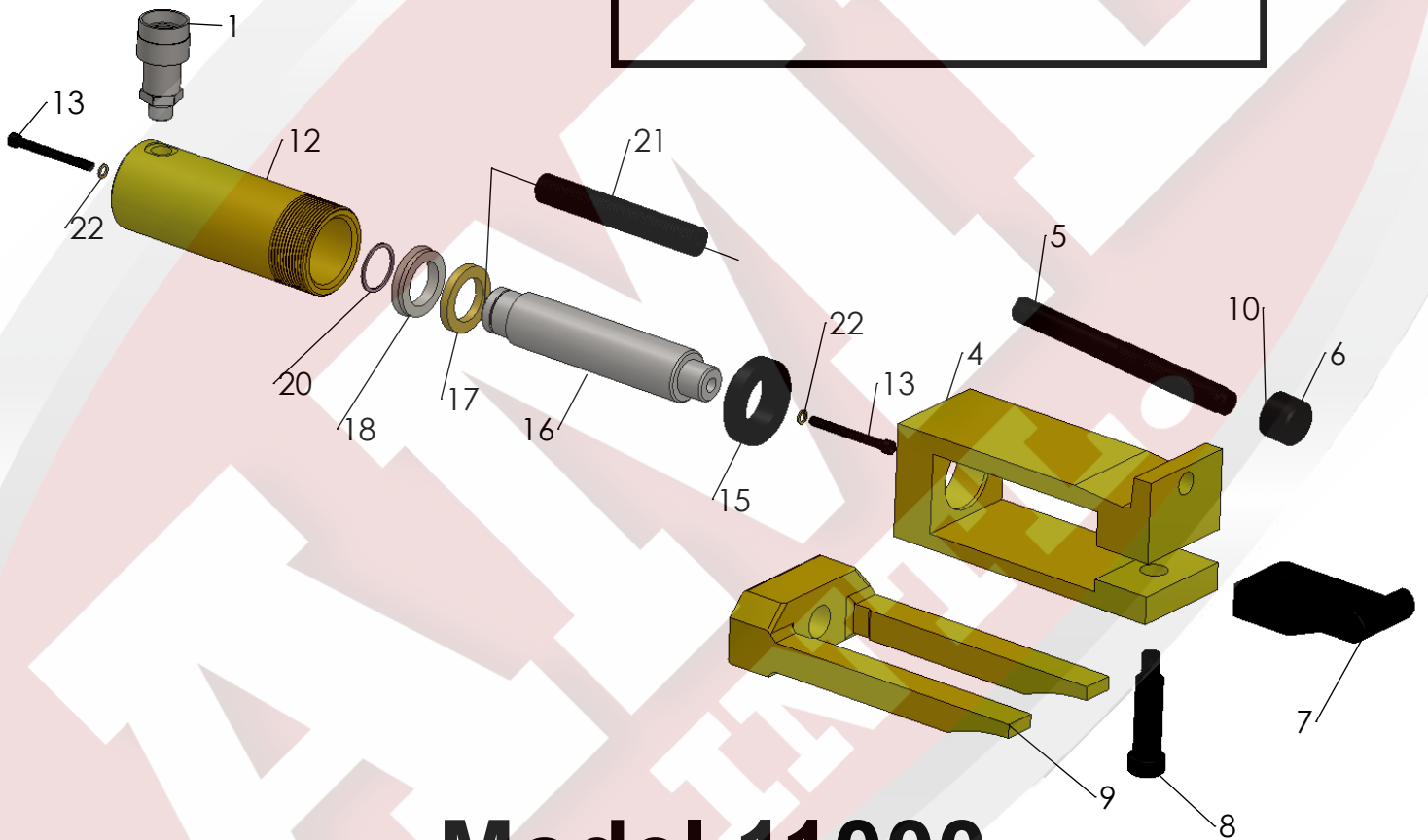




PARTS BREAKDOWN



Model 11000
OTR Giant Tire Bead Breaker



PARTS BREAKDOWN

BEAD BREAKER

Max. Capacity: 13.8 Ton At 10,000 PSI

ITEM	PART	STOCK	NO.	
NO	NO.	NO.	DESCRIP- TION	DESCRIPTION
1	16060	10606	1	Ram Half Coupler with Dust Cap
2	11000-006	45054YE3	1	Cylinder Assembly
4	11000-004	58448YE3	1	Frame
5	11000-005	34184	1	Set Screw
6	11000-006A	28705	1	Pressure Nut
7	11000-007	36958	1	Hook
8	11000-008	22469	1	Set Screw (3/4 dia. X 2 - 1/4 Lg.; Torque to 40/60 ft. lbs.)
9	11000-009	58449YE3	1	Clevis
10	11000-010	DA11816049	1	Retaining Ring



PARTS BREAKDOWN

Parts List For Tire Bead Breaker Model 11000

CYLINDER ASSEMBLY

ITEM	PART	STOCK	NO.	
NO	NO	NO.	REQ'D	DESCRIPTION
11	11000-011	11127	1	Fitting Plug (3/8 NPTF)
12	11000-012	44857	1	Body, Cylinder
13	11000-013	10020	2	Soc. Hd. Cap Screw
15	11000-015	351115	1	Guide, Rod
16	11000-016	421142	1	Rod, Piston
17	11000-017	207798	1	Bearing, Piston
18	11000-018	207796	1	U Cup
20	11000-020	13654	1	Ring, Retainer
21	11000-021	202625	1	Spring Assembly
22	11000-022	10442	2	Washer, Copper (.37 x .25)