



Part No. ALL69040-69048

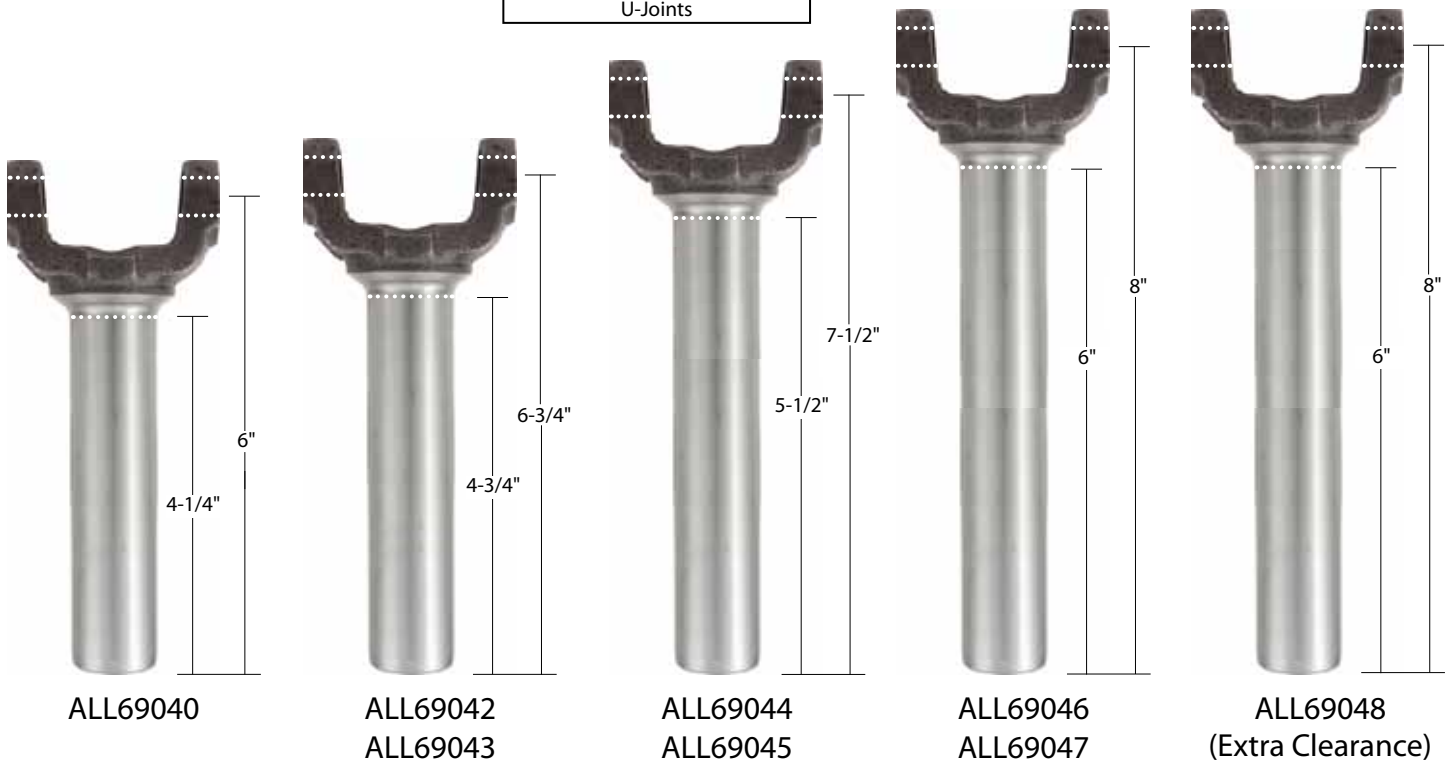
Slip Yokes

Slip yokes provide an important link in today's driveline and chassis combinations. Yokes are available in standard length for most street applications with minimal suspension travel to extra-long for racing suspensions that have a radical amount of travel. 27 spline yokes accept 1310 style u-joints and are for use in many popular transmissions including TH350, TH700R4, Muncie, Saginaw, Bert and Brinn non-ball spline.

Part No.	Description
ALL69040.....	6"
ALL69042.....	6-3/4"
ALL69044.....	7-1/2"
ALL69046.....	8"
ALL69048.....	8" (Extra Clearance)

Hardened

ALL69043.....	6-3/4"
ALL69045.....	7-1/2"
ALL69047.....	8"



REV111412

Check out an excellent selection of performance driveline & axles on our website.