



Part No. ALL68700-68709

Ford 9" Floater Housings

Housings are jig welded for correct alignment using a select used center section, new 3" O.D. x 3/16" wall axle tubes with 2.0" spindle pins and include gear case mounting studs, fill and drain plugs.

Part No.	Housing Width/Offset
ALL68700.....	60" / Centered
ALL68702.....	60" / 2" Offset
ALL68703.....	61" / Centered
ALL68704.....	62" / Centered
ALL68706.....	62" / 2" Offset
ALL68708.....	63" / 2" Offset
ALL68709.....	64" / Centered

NOTE: Axles are sold separately.

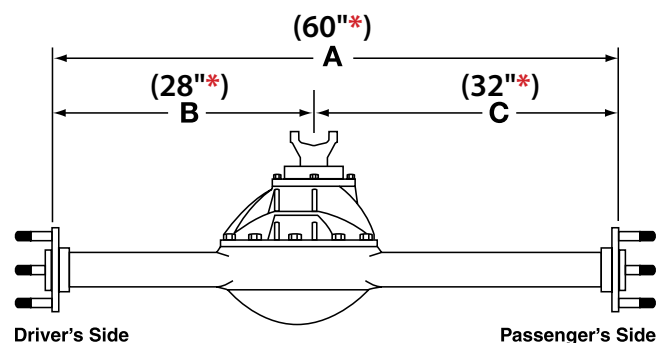


Tech Tip

Housing Measuring Diagram

Example: Bare housing ALL68702 is 60" from hub face to hub face and the pinion is located 2" to the left of the housing centerline when viewed from rear of housing.*

Please measure and inspect housing before welding brackets or painting. Housing is non-returnable if modified or custom. Welding suspension brackets on rear end housings can cause warping. These housings use Allstar ALL72100 inner grease seals.



* Dimensions for example only.