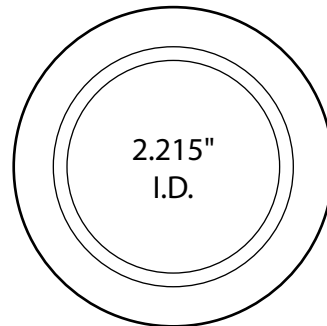
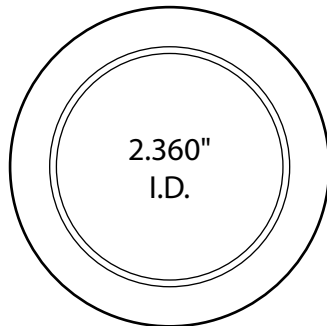




Part No. ALL64220

Hydraulic 2.5" Coil-Over Spring Adjuster

Weight jack assembly allows driver to adjust car handling while driving. Turning the adjustment knob will extend spring cup up to 7/8" to increase or decrease spring pressure. Assembly includes hydraulic ram, hydraulic pump with adjustment knob, 9' braided hose, and two washers for use with standard or threaded body shocks. Black anodized finish.



Part No.	Description
ALL64222.....	O-Ring Kit For ALL64220

REV022416