



Part No. ALL60029-60030

Brake Line Adapter Mounting Brackets

Secure brake line adapters, bulkhead fittings or use as a mounting tab for a variety of uses.

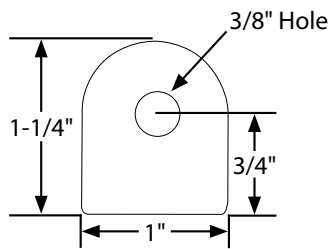
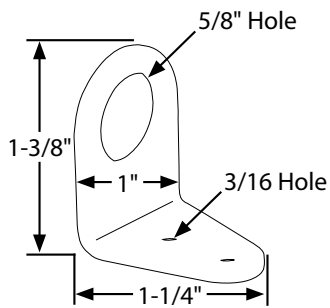
Part No.	Description
ALL60029.....	Bolt-on with 5/8" Hole 2-Pack, (Use with ALL50100-103 Adapters)
ALL60030.....	Weld-on with 5/8" Hole, 4-Pack (Use with ALL50100-103 Adapters)
ALL60092.....	Weld-on with 9/16" Hole 4-Pack, (Use with ALL50104-105 Adapters)
ALL60091.....	Weld-on with 7/16" Hole, 4-Pack
ALL60090.....	Weld-on with 3/8" Hole, 4-Pack



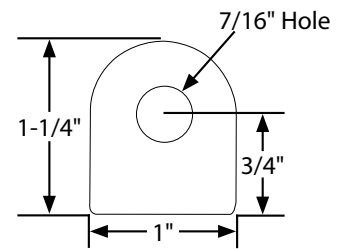
ALL60029



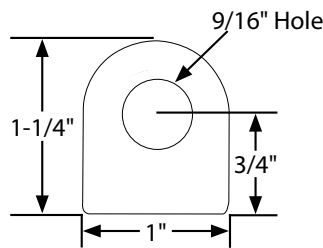
ALL60090
ALL60091
ALL60092
ALL60030



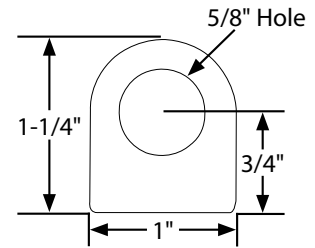
ALL60090



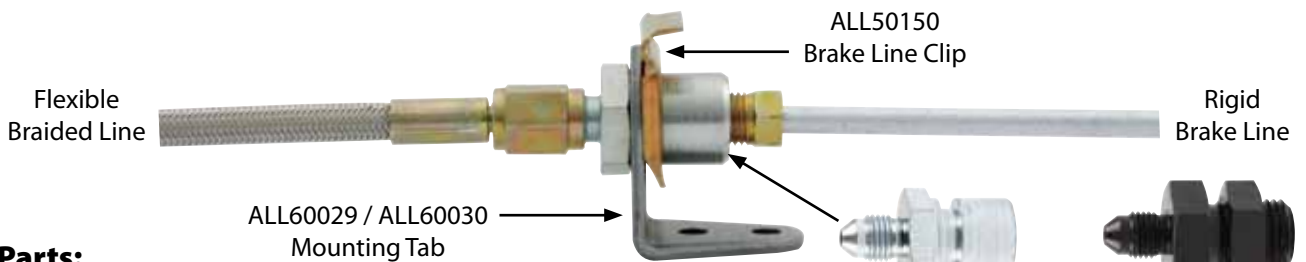
ALL60091



ALL60092



ALL60030



Related Parts:

ALL50100.....	-3 To 3/16", Steel Adapters, 2-Pack (Clip-On)	ALL50100
ALL50101.....	-4 To 3/16", Steel Adapters, 2-Pack (Clip-On)	ALL50101
ALL50102.....	-3 To 1/8" NPT, Steel Adapters, 2-Pack (Clip-On)	ALL50102
ALL50103.....	-4 To 1/8" NPT, Steel Adapters, 2-Pack (Clip-On)	ALL50103
ALL50104.....	-3 To 3/16" Inverted Flare, Aluminum Adapters, Sold Each (Bolt-On)	ALL50104
ALL50105.....	-4 To 3/16" Inverted Flare, Aluminum Adapters, Sold Each (Bolt-On)	ALL50105
ALL50150.....	Brake Line Clips, 4-Pack	