



Part No. ALL60036
ALL60037
ALL60038

U-Bolt Pads

Universal style u-bolt pads fit 3" diameter axle tubes and leaf springs up to 2-1/2" wide using 1/2" u-bolt fasteners. Center alignment hole is 5/8" to accept most lowering blocks or spring bolts. 1/4" thick formed steel pads have a gusseted shock mount with a welded bung to accept 1/2" mounting hardware.

Part No.	Description
ALL60036.....	RH Pad
ALL60037.....	LH Pad
ALL60038.....	Dual Mount Pad
ALL68344.....	U-Bolt, 10" Long



ALL60037



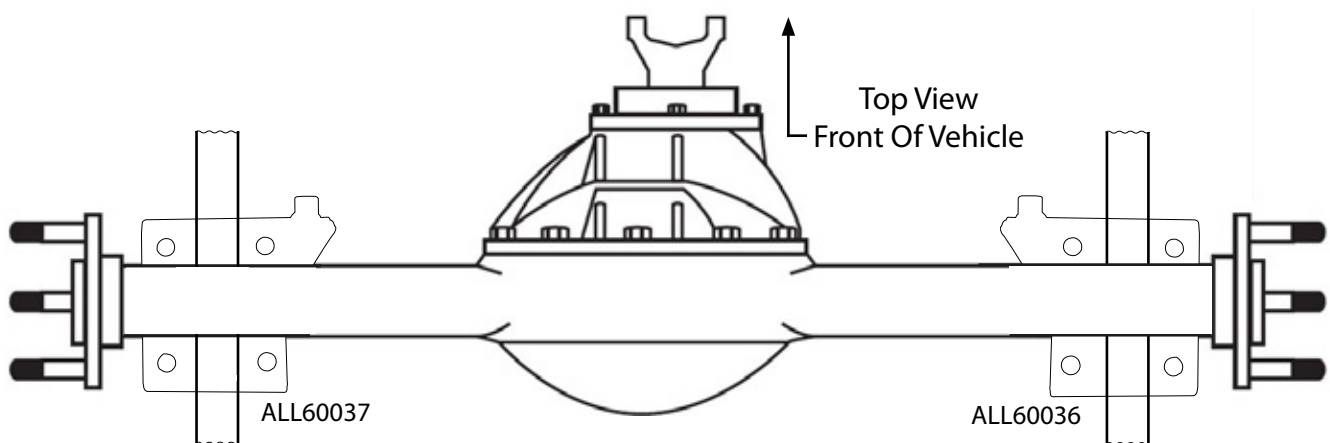
ALL60036



ALL60038



ALL68344



REV040116