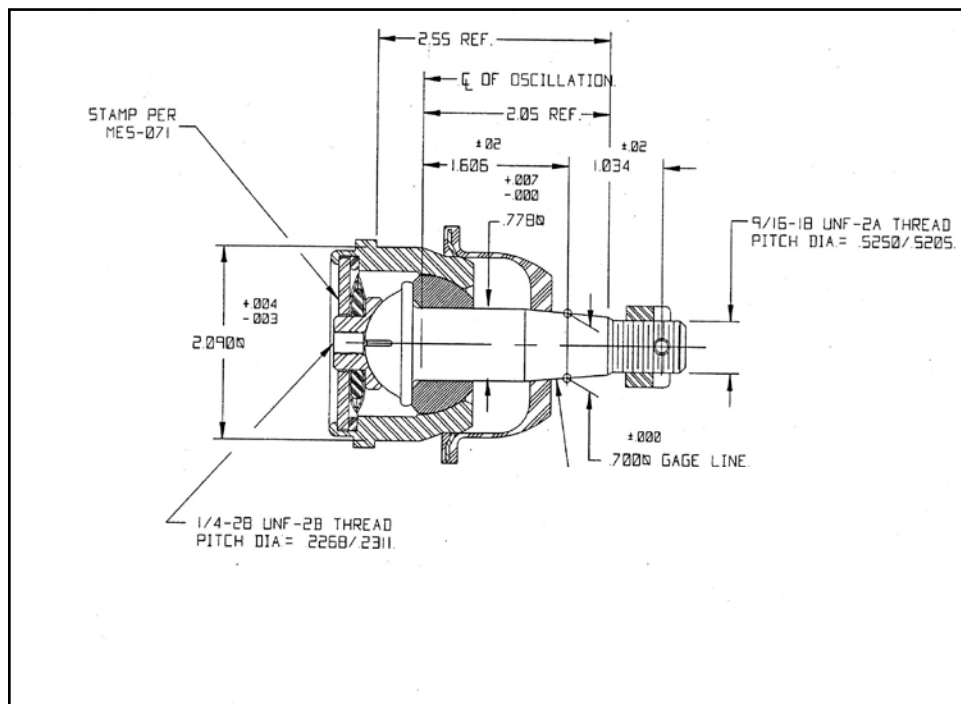




Part No. ALL56218

Weld-In Lower Ball Joint

Fits popular full-size 1977-89 Impala spindles. Also fits 1971-81 Camaro and 1973-88 Chevelle/Malibu. Base O.D. is 2.090" (replaces - Moog K6145, TRW 10277 or AFCO 20039.)



REV012317