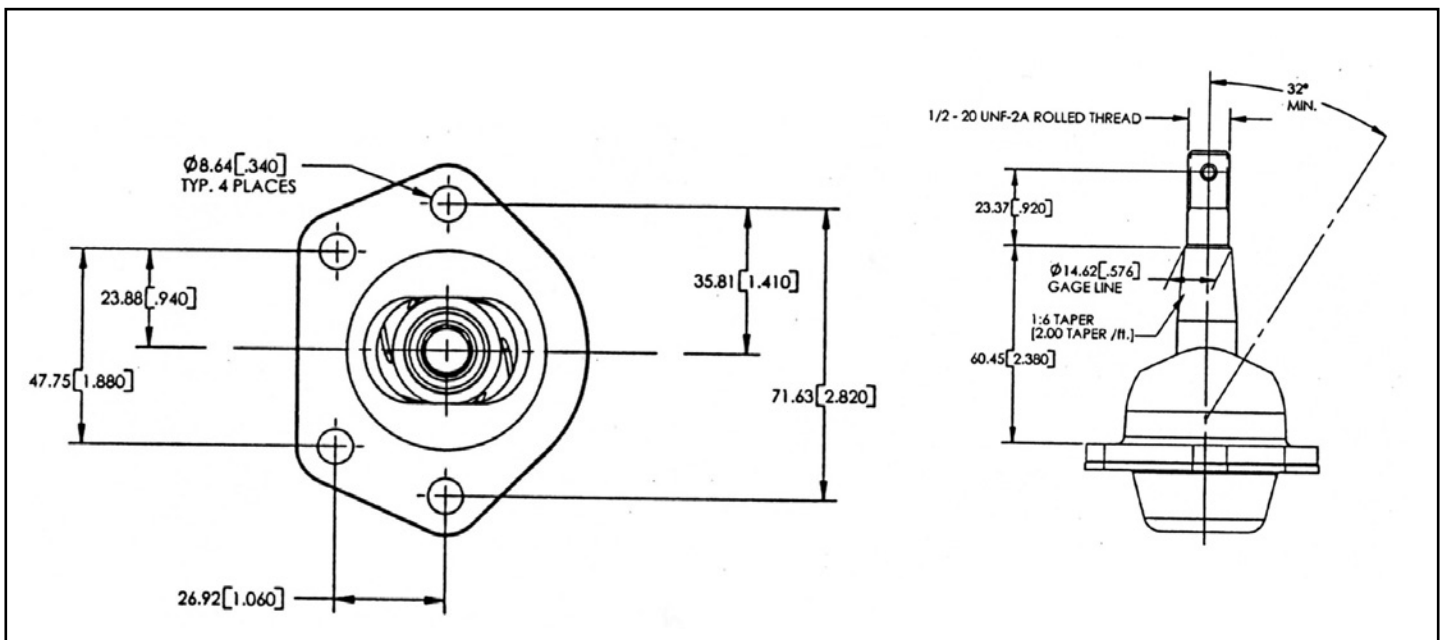




Part No. ALL56208

Bolt-In Upper Ball Joint

Bolt-in type joint fits Impala spindle. Can be used to raise roll center on street stock and modified cars. Fits Impala, Camaro and Chevelle spindles. (Replaces Moog K6136, TRW 10269 or AFco 20032-1). Outer mounting bolt holes are 2.82" CTC.



REV090412