



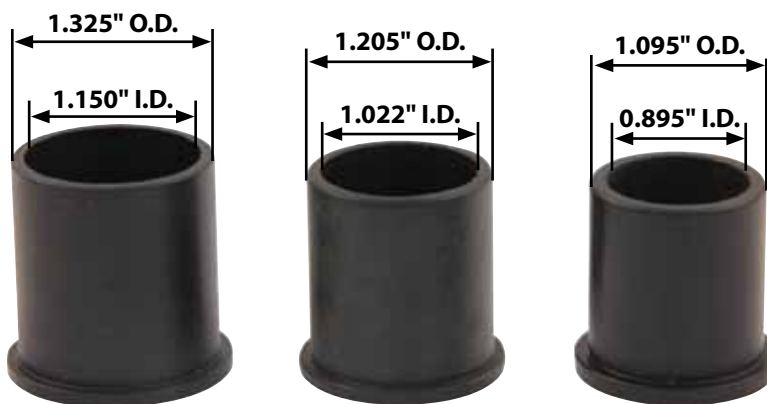
Part No. **ALL55140**
ALL55140-10
ALL55150
ALL55150-10
ALL55160
ALL55160-10

Sprint Torsion Bar Bushings

Performance tested anti-friction nylon bushings are stepped to minimize binding of the torsion bar. Durable, lightweight material offers increased wear-resistance allowing for longer part life, decreased mating component wear and less down time!

Part No.	Description
ALL55140.....	Sprint, For 1-1/8" Bars, Each*
ALL55140-10	Sprint, For 1-1/8" Bars, 10-Pack*
ALL55150.....	Midget, For 1" Bars, Each
ALL55150-10	Midget, For 1" Bars, 10-Pack
ALL55160.....	Mini Sprint, For 7/8" Bars, Each
ALL55160-10	Mini Sprint, For 7/8" Bars, 10-Pack

* Designed for .095" chassis tubes



ALL55140

ALL55150

ALL55160



Bushing installed in torsion tube