



Part No. ALL54100
ALL54101
ALL54107

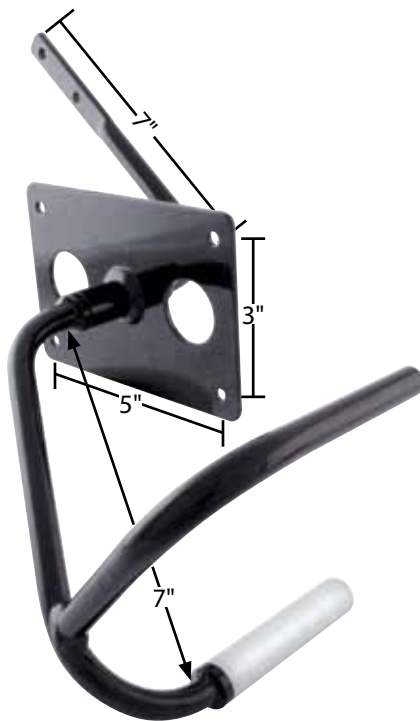
Gas Pedals

Gas pedals can be pulled back if throttle binds or return spring fails. Side mount pedals are available as standard or roller design for smoother throttle control. Firewall mount pedal is used on racecars with flat or stock type firewalls.

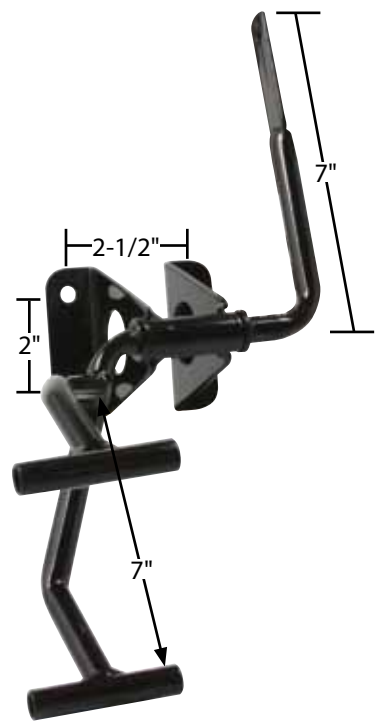
Part No.	Description
ALL54100.....	Standard
ALL54101.....	Roller
ALL54107.....	Firewall Mount



ALL54100



ALL54101



ALL54107