



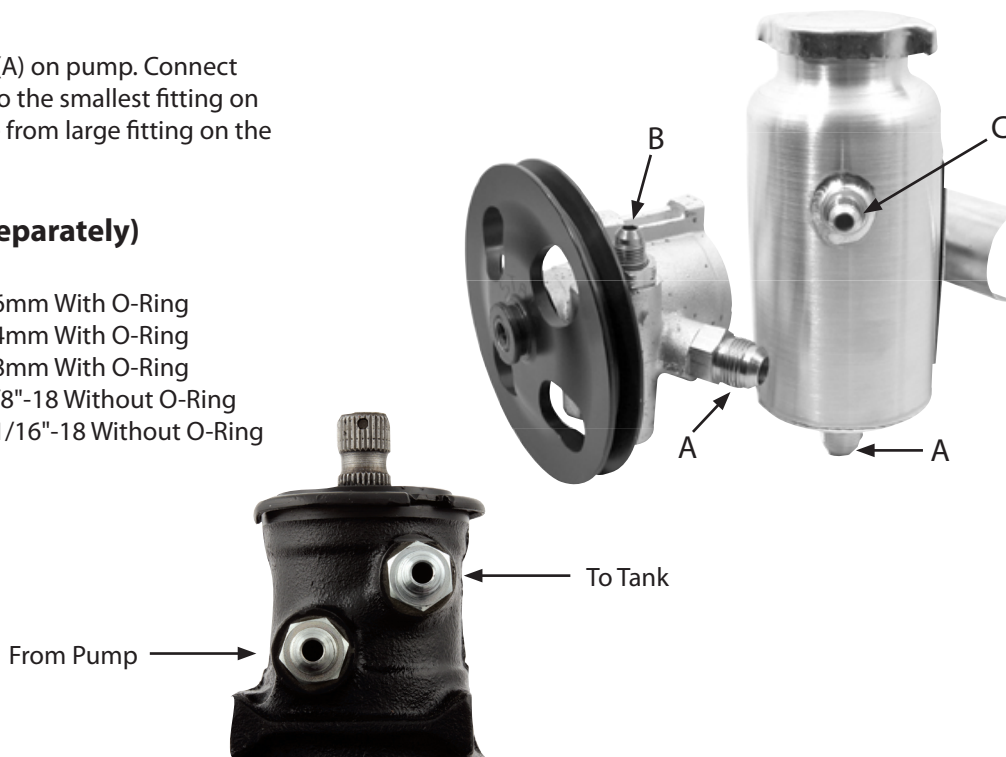
Power Steering Hose Kits

INSTRUCTIONS

Connect -10AN hose (A) on tank to (A) on pump. Connect the -6AN pressure line (B) on pump to the smallest fitting on the steering box. Connect return line from large fitting on the steering box to (C) on the tank.

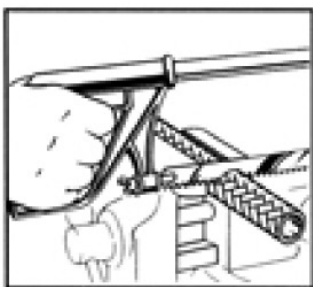
Steering Box Fittings (Sold Separately)

Part No.	Description
ALL48210.....	-6AN Male To 16mm With O-Ring
ALL48211.....	-6AN Male To 14mm With O-Ring
ALL48212.....	-6AN Male To 18mm With O-Ring
ALL48215.....	-6AN Male To 5/8"-18 Without O-Ring
ALL48217.....	-6AN Male To 11/16"-18 Without O-Ring



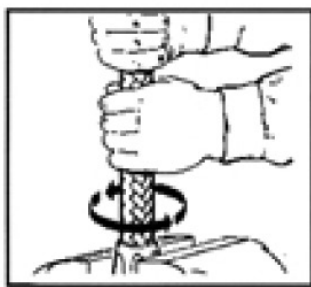
Typical GM 800 Series Steering Box Connection

Step 1



Cut hose square with fine tooth hacksaw or cut off wheel.

Step 2



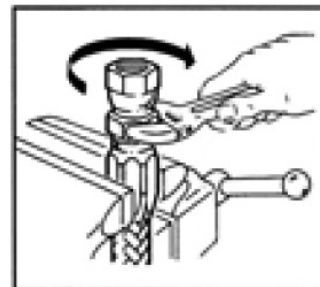
Put socket in vise and rotate hose counterclockwise into socket until it bottoms, then back off 1/4 turn. When assembling long lengths of hose put the hose in vise just tight enough to prevent turning and turn socket into the hose counterclockwise until it bottoms.

Step 3



Lubricate nipple and threads LIBERALLY. Use heavy oil or hose assembly lube.

Step 4



Thread nipple clockwise into socket and hose. Leave 1/32" to 1/16" clearance between nipple hex and socket.

WARNING!
Clean inside of hose after cutting. Small metal and rubber particles will damage pump and gearbox.