



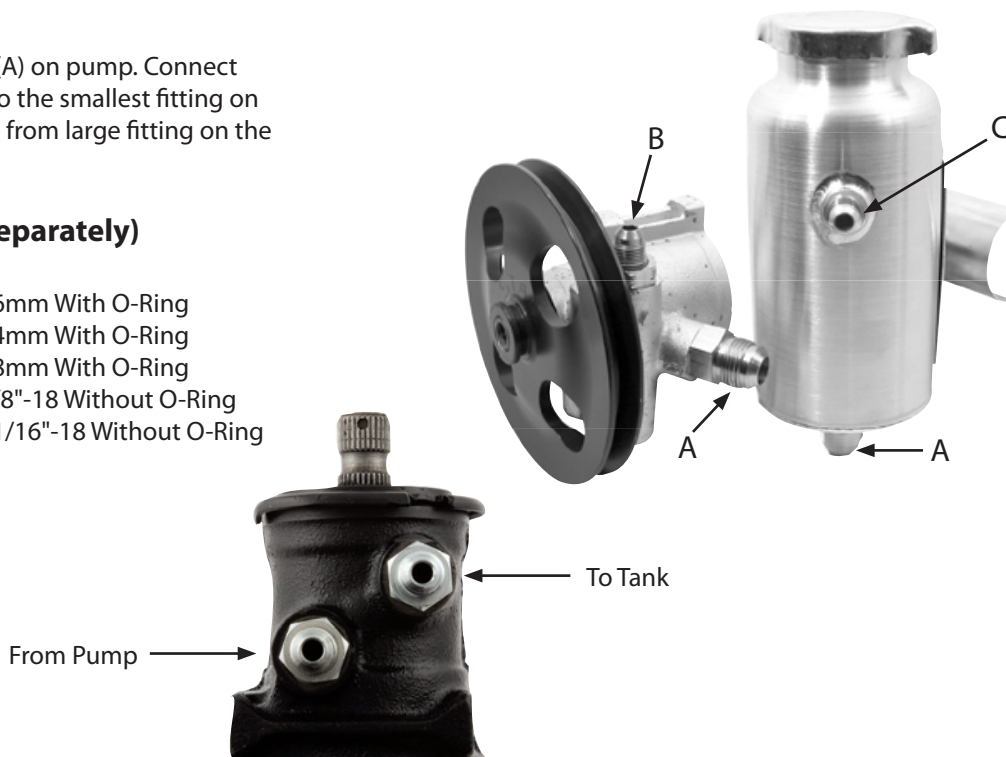
# Power Steering Hose Kits

## INSTRUCTIONS

Connect -10AN hose (A) on tank to (A) on pump. Connect the -6AN pressure line (B) on pump to the smallest fitting on the steering box. Connect return line from large fitting on the steering box to (C) on the tank.

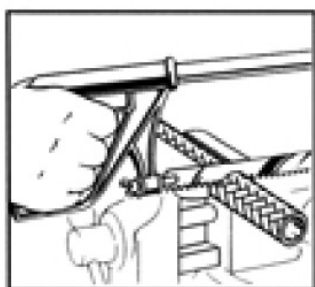
### Steering Box Fittings (Sold Separately)

Part No.	Description
ALL48210.....	-6AN Male To 16mm With O-Ring
ALL48211.....	-6AN Male To 14mm With O-Ring
ALL48212.....	-6AN Male To 18mm With O-Ring
ALL48215.....	-6AN Male To 5/8"-18 Without O-Ring
ALL48217.....	-6AN Male To 11/16"-18 Without O-Ring



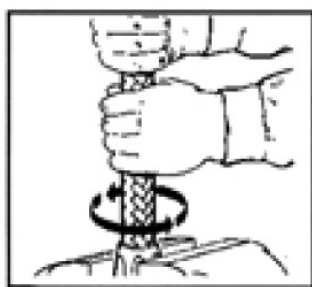
Typical GM 800 Series Steering Box Connection

### Step 1



Cut hose square with fine tooth hacksaw or cut off wheel.

### Step 2



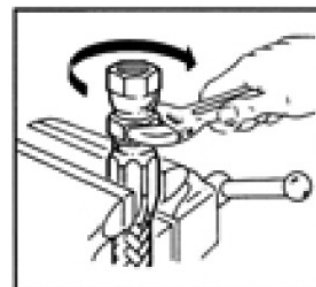
Put socket in vise and rotate hose counterclockwise into socket until it bottoms, then back off 1/4 turn. When assembling long lengths of hose put the hose in vise just tight enough to prevent turning and turn socket into the hose counterclockwise until it bottoms.

### Step 3



Lubricate nipple and threads LIBERALLY. Use heavy oil or hose assembly lube.

### Step 4



Thread nipple clockwise into socket and hose. Leave 1/32" to 1/16" clearance between nipple hex and socket.

**WARNING!**  
Clean inside of hose after cutting. Small metal and rubber particles will damage pump and gearbox.