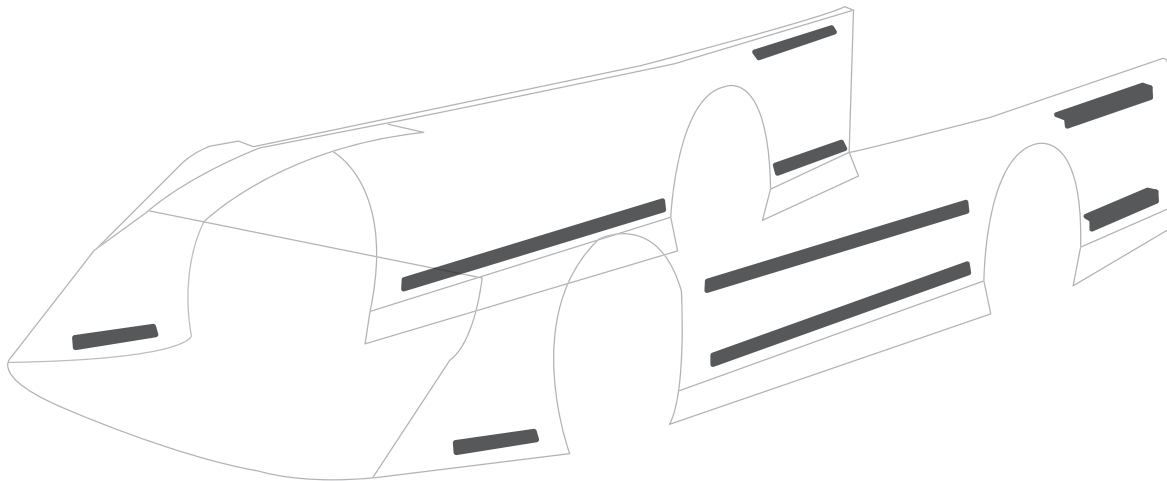
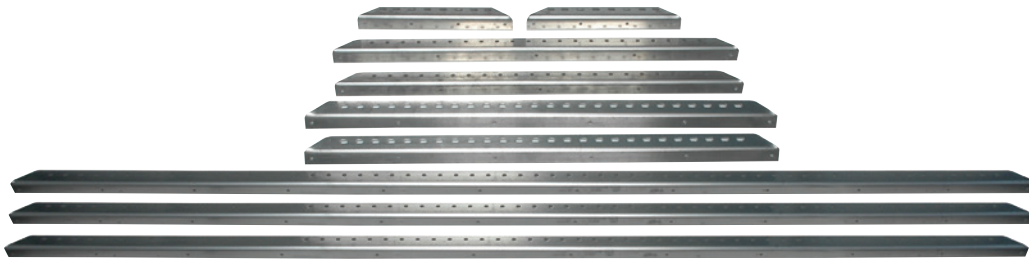




Part No. ALL23105

## Late Model Body Brace Kit

Pre-drilled aluminum kit simplifies installation of body panels. Three 66" long 90° door braces, two 30" long 120° lower quarter, two 26" long 90° upper quarter, and two 10" long 90° front fender pieces are included. Use flat stock, spring steel, or slotted strapping to complete assembly (sold separately.)



REV081814

If you're looking for quality racing gear & equipment, visit our website.