



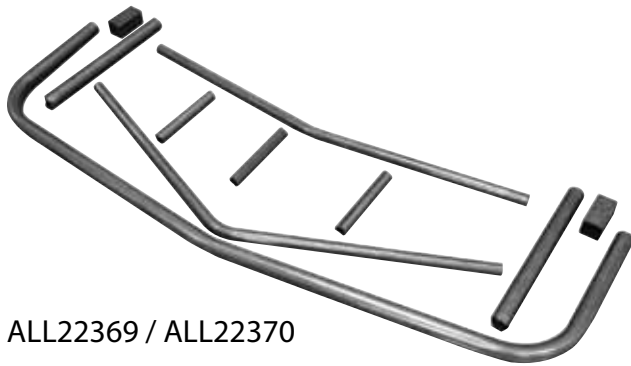
Part No. **ALL22366**
ALL22367
ALL22369
ALL22370

Monte Carlo SS Front Bumper Kits

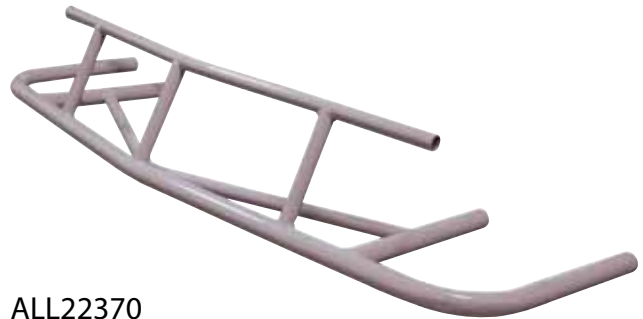
Universal bumper kit is adjustable to accommodate Monte Carlo nosepieces to any chassis. Kits are constructed of 1-3/4" x .095" wall tubing and require welding.

Part No.	Description
ALL22370.....	Standard Monte Carlo SS Kit
ALL22369.....	MD3 Monte Carlo SS Kit
ALL22366.....	Standard Monte Carlo SS Kit, 2-Piece*
ALL22367.....	Upper Support Kit For ALL22366

* Kit includes a 2-piece main tube for more convenient handling and lower shipping costs.



ALL22369 / ALL22370



ALL22370
Kit Shown Assembled



ALL22366



ALL22367