



Part No. ALL22104

Roll Cage Kit For Mini Enduro

Designed with safety in mind for mini enduro and four cylinder classes. Universal design is built for two or four door 1991-2002 Ford Escort bodies but will fit Dodge Neons and Ford Probes with some modifications. Kit is constructed of .095" wall 1-3/4" mild steel tubing and includes a main hoop, halo, windshield posts, front & rear dash bars, three door bars for the left side, and a Z-bar for the right side. Also included are two lengths of 1-3/4" tubing to weld to the factory pinch welds and two lengths of 1-1/2" tubing to connect the two sides, creating a solid foundation for the cage and seat mount.

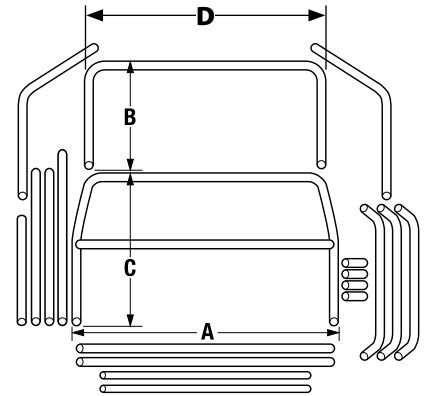
Replacement Part:

ALL22113.....Door Bar For Mini Enduro Kit

ALL22116.....Spacer For Door Bar



38" Outside To Outside
(Front To Back)



"A"	"B"	"C"	"D"
53.5"	24.5"	36.5"	40"

REV042513