

## TIPS

- Cutting "V" shapes in the lip will help it form around tight curves of your bumper
- Jacking the car up will allow for more work space but is not required
- If your car has a factory bumper guard, you may need to remove the guard first

## WHAT YOU NEED

- Scissors
- Screwdriver (Optional)

Disclaimer: While many customers feel just using the 3M tape is sufficient, we highly recommend using the provided screws and washers for a secure, lifelong install. The tape should be used as an installation aid and does not stick to all surfaces.

If installing our lip in temperatures under 45 degrees fahrenheit, you may need to heat up the tape with a blow dryer or heat gun to allow a stronger bond to assist with installation. Not required.

## QUICK INSTALL

1. Clean the lower part of your bumper. Make sure the bumper is completely dry after cleaning.
2. Peel off the red 3M tape covering to expose the tape.
3. Firmly press the tape attached to the lip against the lower portion of the bumper.
4. Around curved parts of the bumper, cut a "V" in the lip to allow for a clean bend around the bumper.
5. Continue applying the lip all the way around the bumper.
6. Cut off the excess lip at the end of the bumper.
7. For a more secure installation, install the screws and washers included with your kit.
8. Start from the very beginning and install a screw and washer.
9. Apply the screws and washers approximately every foot.

## INSTALLATION STEPS

- 1 Clean the lower part of your bumper. Make sure the bumper is completely dry after cleaning



- 2 Peel off the red 3M tape covering to expose the tape.



- 3 Firmly press the tape attached to the lip against the lower portion of the bumper.



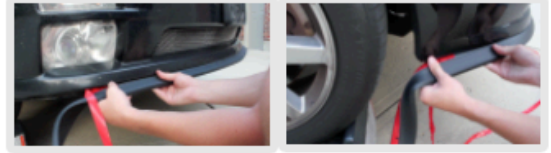
- 4 Around curved parts of the bumper, cut a "V" in the lip to allow for a clean bend around the bumper.



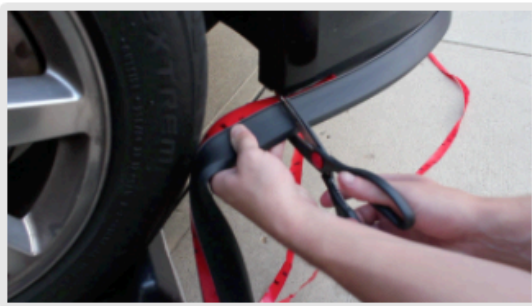
**1** *The lip should now look as follows.*



**5** Continue applying the lip all the way around the bumper.



**6** Cut off the excess lip at the end of the bumper.



**1** *The lip should now look as follows.*



**7** For a more secure installation, install the screws and washers included with your kit.



**8** Start from the very beginning and install a screw and washer.



**9** Apply the screws and washers approximately every foot.



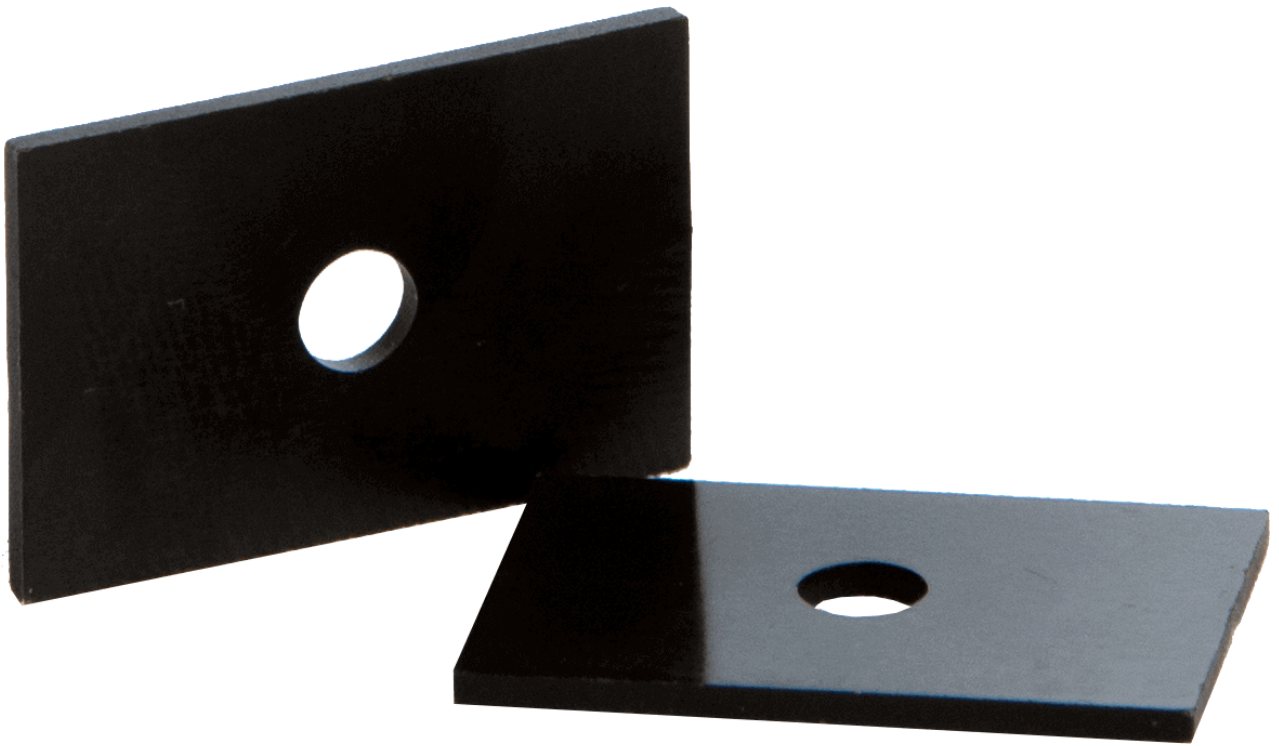
**1** Here is the finished product on the side skirts and front bumper.

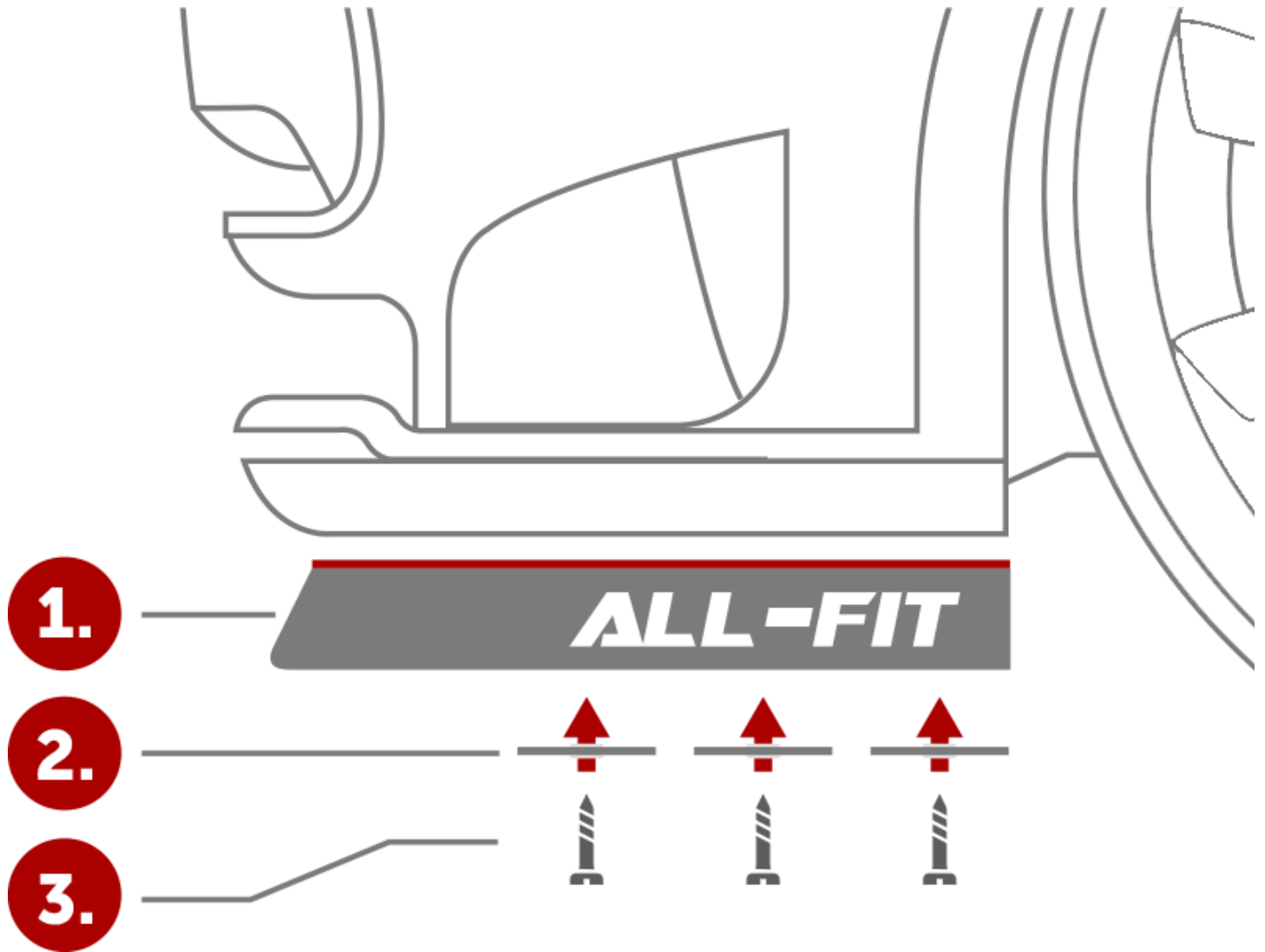


# ALL-FIT AUTOMOTIVE - LIP KIT INSTALLATION



**Extra Securement Hardware Included**





*There is something truly rewarding about upgrading and customizing your vehicle with your own two hands. To take it to a mechanic or auto body professional only robs you of that indescribable feeling of having accomplished something meaningful with a piece of machinery that is in many ways an extension of yourself. Of course, some customizations are infinitely more difficult than others, and perplexing even to the most seasoned gearheads. You'll be relieved to know that this is not one of those customizations. In fact, our cutting-edge All-Fit Automotive lip kits are designed to be installed in as little as 15 minutes, with absolutely no skill or experience necessary.*

#### **Watch, Read, and Learn**

*We could honestly sum up our lip kit installation process in less than a paragraph, but for your convenience, we have created a number of helpful resources to eliminate all potential guesswork and provide you with the total perspective. If you just need a simple, straightforward rundown of the process, check out the Quick Install guide and tips found on this page. If you need a more comprehensive guide that you can carry with you, be sure and download the detailed PDF file. Finally, if you consider yourself more of a visual learner, you'll appreciate the easy-to-follow lip kit installation at the top of the page.*

#### **Let's Get to Work**

*We want to make this as easy as possible. That's why our kits include all the necessary screws, washers, and tape, along with an ample supply of material to fit any car. All you need to do is follow a few simple directions and turn your boring bumper into a force to be reckoned with. Of course, if you have any questions or concerns, we encourage you to contact us at any time, but we're confident that you'll have no trouble installing your kit. So what are you waiting for? Roll up those sleeves and attach those bumper lips.*