

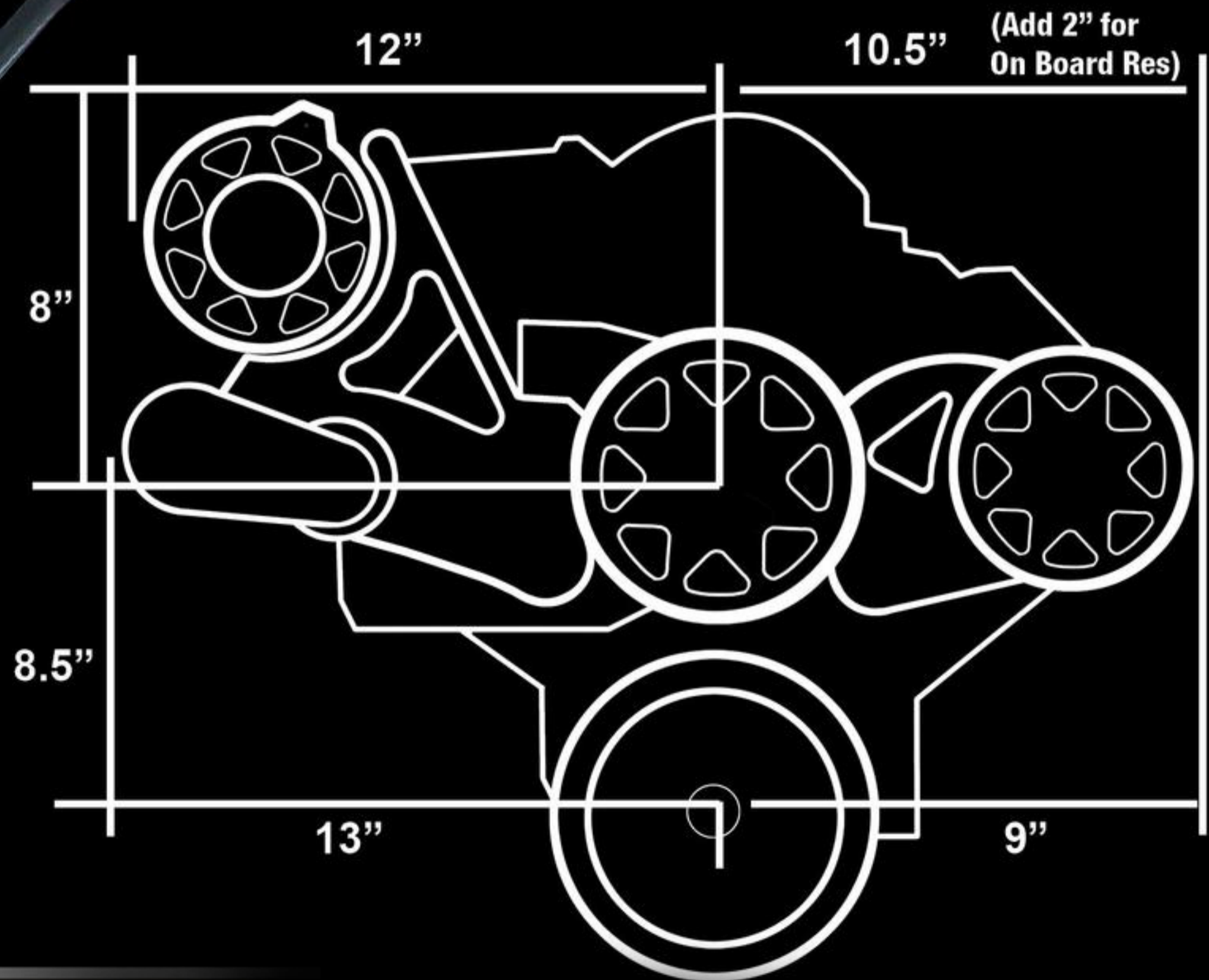
LS - NO AC & WITH POWER STEERING

LS No AC & With PS Kits include:

**ALL AMERICAN
BILLET**

- Reverse Rotation Aluminum
- Water Pump (Edelbrock)
- 160 Amp, 1 wire alternator
- Type II Power Steering Pump
- Power Steering Reservoir
- Tensioner with Aluminum Cover
- 6061-T6 Aluminum Pulleys
- Fluidampr Harmonic Balancer
- 6061-T6 Brackets
- Gates 6-Groove Belt
- Stainless Steel Hardware

MEASUREMENTS



From front of block to face of
AC Cover - 7.5"
Alt Pulley - 6.75"
Water Pump Pulley - 6.625"
Crank Pulley - 6.5"
PS Pulley - 6.625

FITMENT NOTES:

- ECM tuning required
- Requires 2004 and later two piece design thermostat not included in kit (GM PN 12600172 includes seal and thermostat)
- Fits all Gen III and Gen IV LS style engines - LS1, LS2, LS3, LS6, LS7, L92, L99, LQ4, LQ9, LY6, L76, LSx....etc
- (Does not fit with VVT - engine can be adapted to work with setup)

Check out the collection of replacement engine parts we offer.