

LS1, 2, 3, & 6

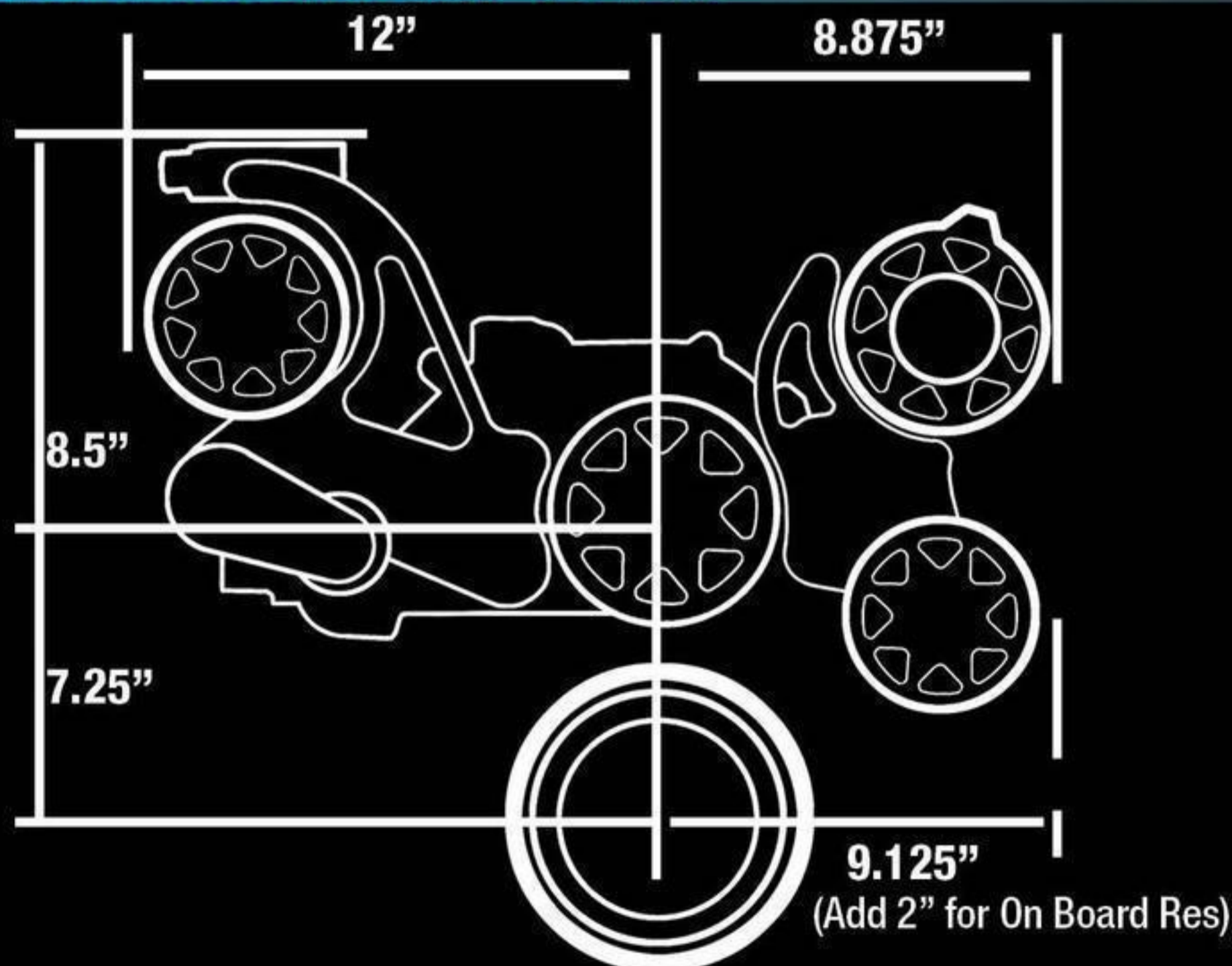
(LS7 setup varies from other versions)

**ALL AMERICAN
BILLET**

LS1, 2, 3 & 6 Kits Include

- Reverse Rotation Aluminum Water Pump (Tuff Stuff or Edelbrock)
- 140 Amp, 1 wire alternator
- Peanut Style A/C Compressor (if A/C kit)
- Aluminum Type II Power Steering Pump (if PS Kit)
- Power Steering Reservoir (if PS kit)
- Tensioner with Aluminum Cover
- 6061-T6 Aluminum Pulleys
- 6061-T6 Brackets
- Gates 6-Groove Belt & Hardware
- Fluidampr Harmonic Balancer

MEASUREMENTS:



From front of block to face of:

AC Cover:	7.5"
Alt Pulley:	6.75"
Water Pump Pulley:	6.625"
Crank Pulley:	6.5"
PS Pulley:	6.625

FITMENT NOTES:

- ECM tuning required
 - Requires 2004 and later two piece design thermostat not included in kit (GM PN 12600172 includes seal and thermostat)
 - Fits all Gen III and Gen IV LS style engines - LS1, LS2, LS3, LS6, LS7, L92, L99, LQ4, LQ9, LY6, L76, LSx....etc (Does not fit with VVT - engine can be adapted to work with setup)
- Check out the collection of replacement engine parts we offer.

