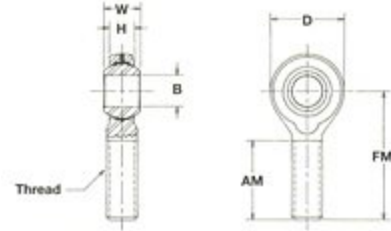




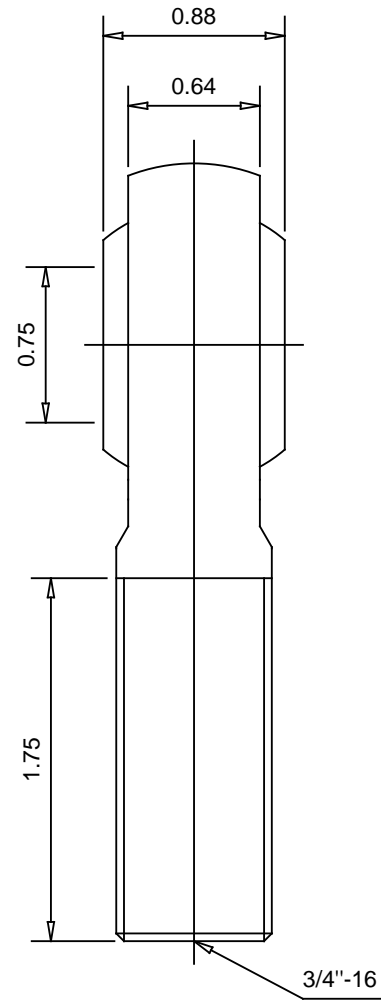
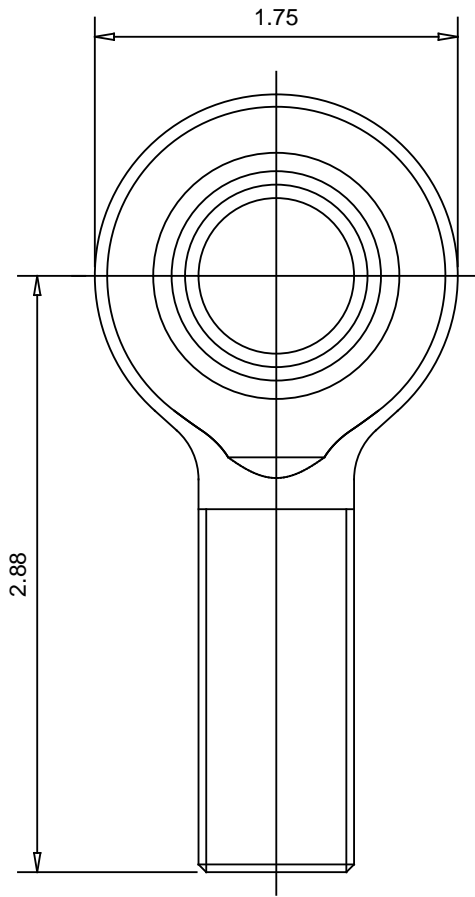
ALINABAL

Item # **PROL-12M-G**, [Steel Pro-Line Rod Ends](#)

Steel housing and ball, fully staked construction with carbon fiber reinforced nylon race.



| | |
|---|------------------------|
| Product Series | Steel Pro-Lined Series |
| Thread Type | Male Left Hand Thread |
| Ball Bore B | 0.7500 in |
| Ball Width W | 0.875 in |
| Base to Center FF/FM | 2.875 in |
| Head Diameter D | 1.7500 in |
| Thread UNF-2A Class | 3/4"-16 |
| Ultimate (Radial) Static Load Rating | 8800 lb |
| Housing Material | Steel |
| Race Material | Carbon Fiber |
| Ball Material | Steel-Case Hardened |
| Type | Left Hand Thread |
| Alinabal # | 30004732 |
| Dimension H (Studded) | 0.635 in |
| Dimension AM | 1.750 in |
| Dimension AF | 1.750 in |
| Dimension G | 1.125 in |
| Dimension E | 1.000 in |
| Ball Diameter | 1.336 in |
| Grease Fittings | None |



Note : - Drawing not to Scale
- Dimension are Inches

Part No. :
PROL-12M-G

Description :
Steel Pro-Line Rod Ends

ALINABAL INC.