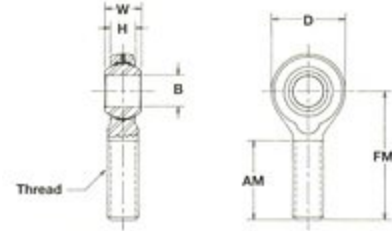


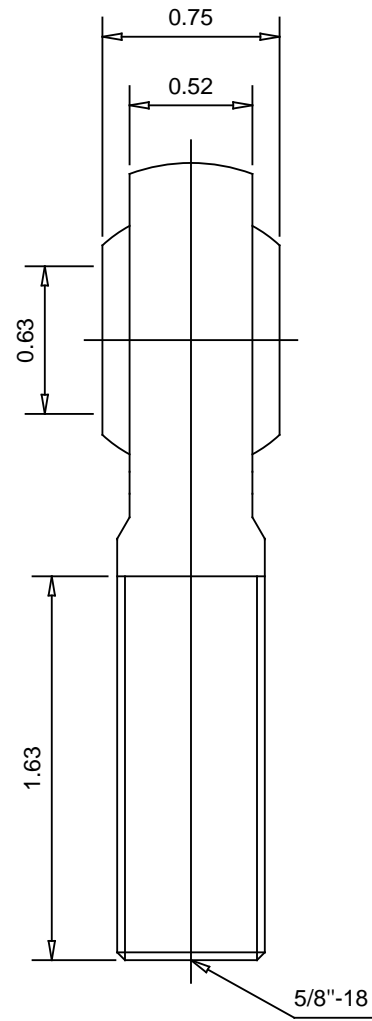
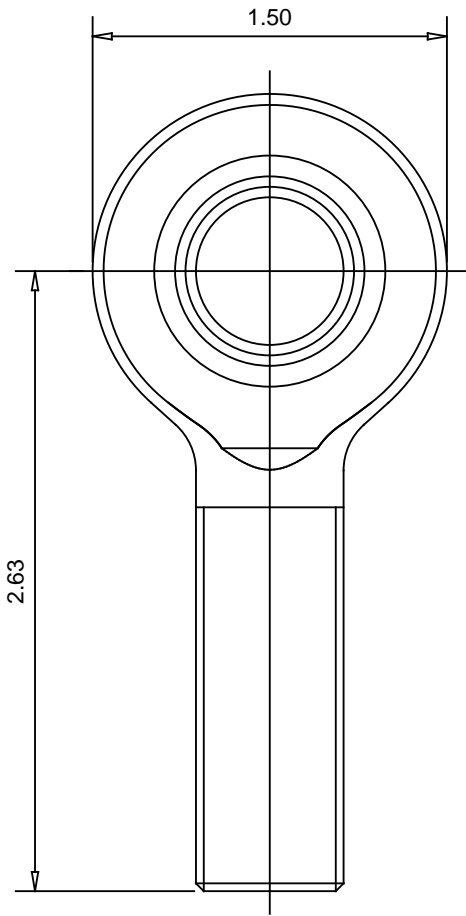


Item # PROL-10M-G, [Steel Pro-Line Rod Ends](#)

Steel housing and ball, fully staked construction with carbon fiber reinforced nylon race.



Product Series	Steel Pro-Lined Series
Thread Type	Male Left Hand Thread
Ball Bore B	0.6250 in
Ball Width W	0.750 in
Base to Center FF/FM	2.625 in
Head Diameter D	1.5000 in
Thread UNF-2A Class	5/8"-18
Ultimate (Radial) Static Load Rating	7050 lb
Housing Material	Steel
Race Material	Carbon Fiber
Ball Material	Steel-Case Hardened
Type	Left Hand Thread
Alinabal #	30004730
Dimension H (Studded)	0.520 in
Dimension AM	1.625 in
Dimension AF	1.500 in
Dimension G	1.000 in
Dimension E	0.875 in
Ball Diameter	1.098 in
Grease Fittings	None



Note : - Drawing not to Scale
- Dimension are Inches

Part No. :
PROL-10M-G

Description :
Steel Pro-Line Rod Ends

ALINABAL INC.