

# 601 ALT. AND P.S.

[Big Block Chevy - Short Water Pump](#)



## Technical Information

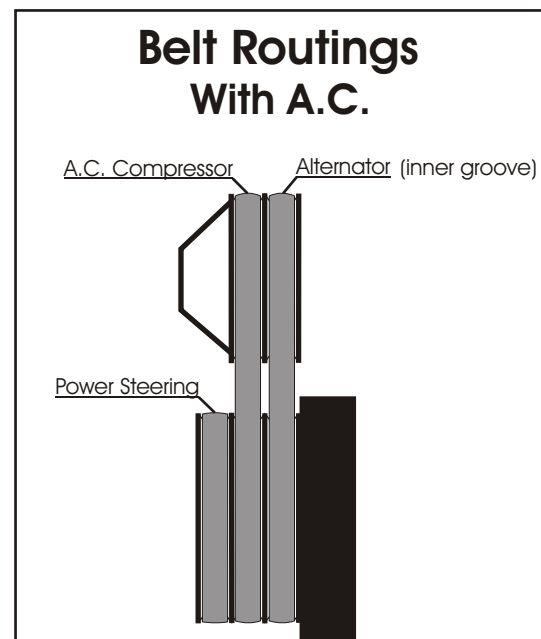
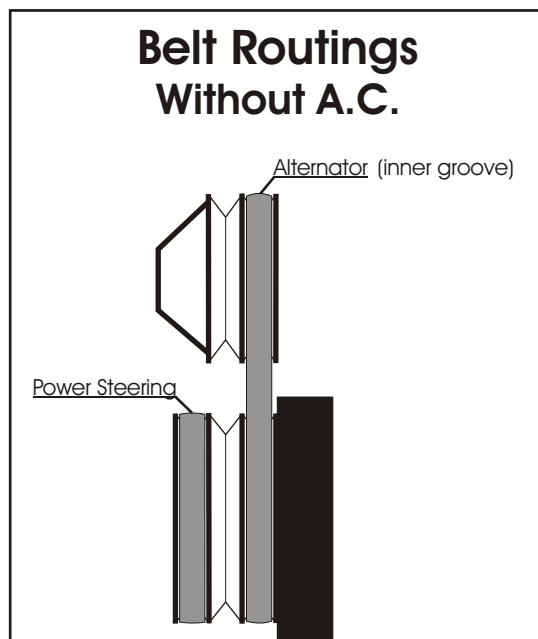
This bracket system is designed for big block Chevilles, El Caminos and other front-steer applications where space is limited for power steering pump clearance. AS WITH ANY PART OF THIS NATURE, MAKE SURE IT FITS YOUR APPLICATION BEFORE PAINTING OR PLATING. PARTS THAT HAVE BEEN PAINTED, PLATED OR MODIFIED MAY NOT BE RETURNED.

- To insure proper function and installation of this product, please read the following detailed instruction (steps 1-4) attached to this information page.
- Unless noted, be sure to start all bolts before tightening.
- On some early engines, the accessory holes in the heads are larger - 7/16" holes. If this is the case a 3/8-16 heli-coil must be installed. They are available at most auto parts and hardware stores.

## Belt Information

We use a belt length of 58½- 59½" for the alternator mount and a 41½- 42" belt for the power steering mount in our shop. However; this can vary with the diameter of your pulleys.

- Be sure and tighten the alternator belt before tightening the power steering belt.



# Power Steering Information

Chevrolet first used the attached reservoir pump in 1961 and they are still in use today in a few applications. Due to the rarity and high cost of the factory Chevelle remote reservoir pumps we designed this bracket system for the readily available later model pumps (see pump recommendation and applications below). Due to the lack of space, factory big block Chevelle pumps may not work with this bracket system.

The following list of power steering pumps are just a few of the many available pumps that we have used with our power steering pump brackets. All reservoirs **MUST HAVE THE TWO ATTACHMENT POINTS ON THE BACK OF THE RESERVOIR AS SHOWN, AND THE CORRECT PLACEMENT OF THE RETURN LINE THAT WILL WORK WITH THE APPLICATION.**

- **A one groove V-8 Chevrolet power steering pump pulley must also be used for correct belt alignment.**

## POWER STEERING PUMP PULLEYS

one groove bolt-on pulley-----

One groove press-fit pulley-----

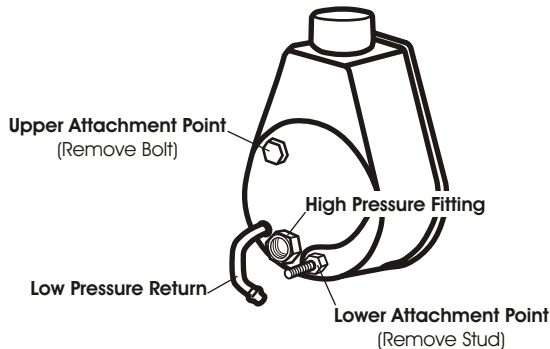
## CHEVROLET PART NUMBER

G.M. Discontinued - steel pulley  
available from us.

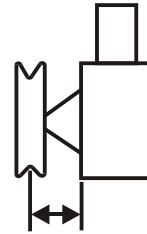
93430150

- **This bracket system requires the removal of both upper and lower attachment point bolts or studs. Please use the provided hardware in our bracket kit for proper installation (see the rear view of pump diagram below).**

## Rear View of Pump



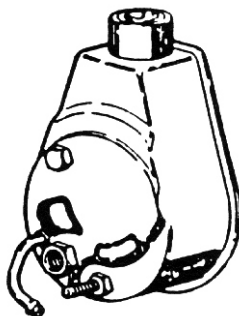
## Pulley Dimension



V-8 power steering pump pulleys measure  $1\frac{13}{16}$ " center of pulley to face of pump.

## Pump Applications

### 6000 SAGINAW PUMP



5/8" keyed shaft for  
nut retained pulley

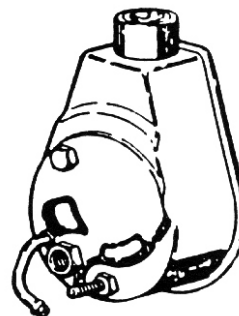
inverted flare fitting

**Applications pumps are found on:**

70-74 Camaro 8 cylinder

71-74 Chevelle, Malibu 8 cylinder

### 6012 SAGINAW PUMP



3/4" smooth shaft  
for press-fit pulley

inverted flare fitting

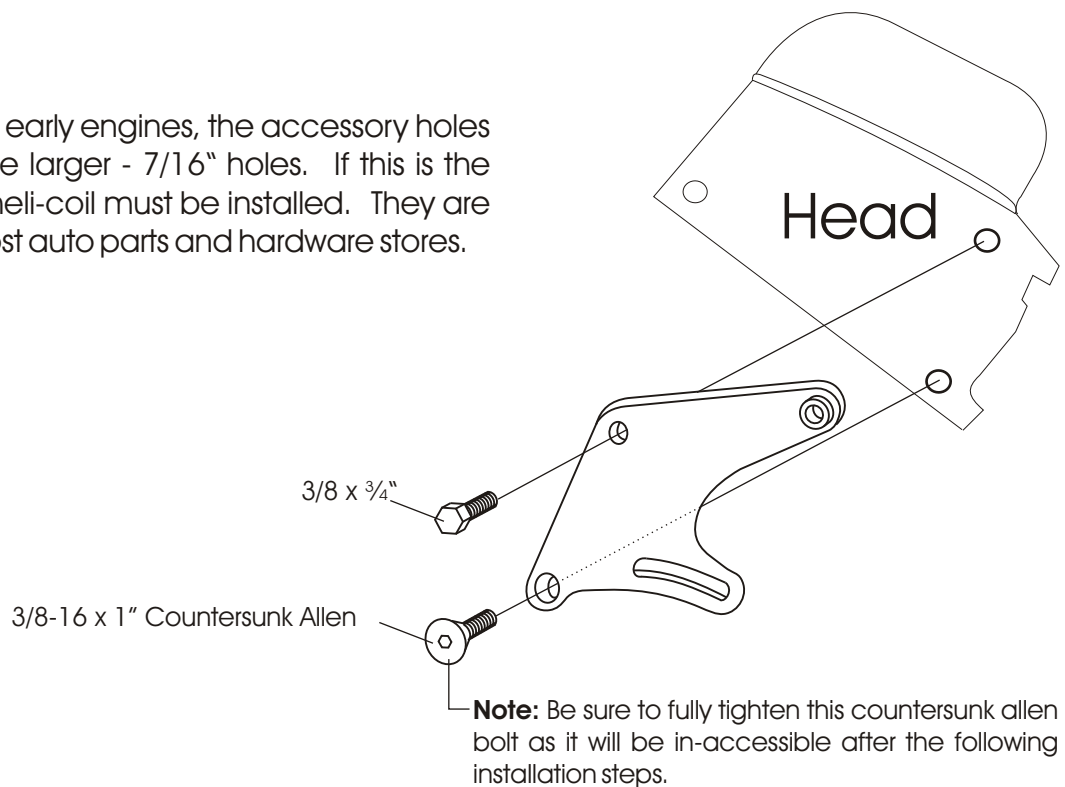
**Applications pumps are found on:**

75-78 Camaro 8 cylinder

75-77 Malibu 8 cylinder

## Step 1:

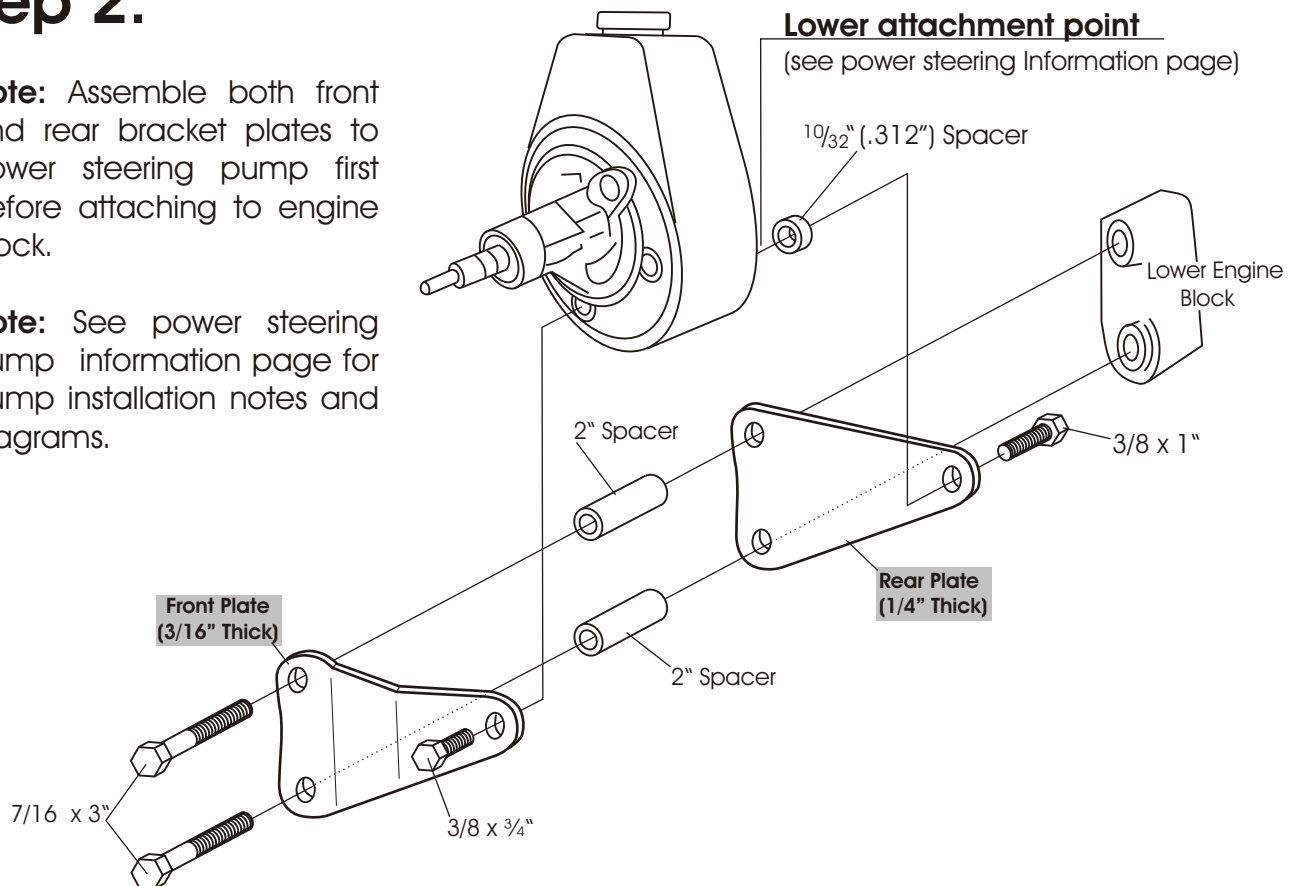
**Note:** On some early engines, the accessory holes in the heads are larger -  $7/16$ " holes. If this is the case a  $3/8$ -16 heli-coil must be installed. They are available at most auto parts and hardware stores.



## Step 2:

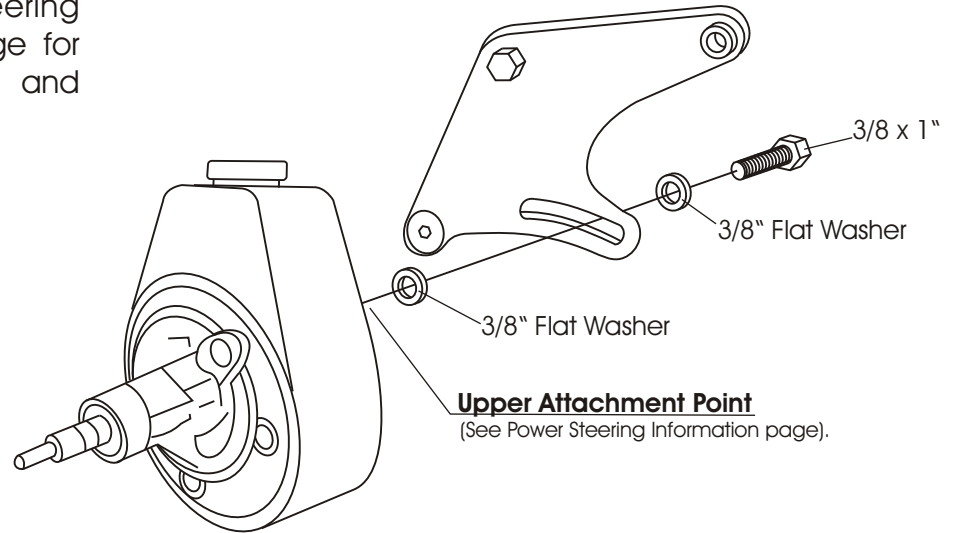
**Note:** Assemble both front and rear bracket plates to power steering pump first before attaching to engine block.

**Note:** See power steering pump information page for pump installation notes and diagrams.



## Step 3:

**Note:** See power steering pump information page for pump installation notes and diagrams.



## Step 4:

