

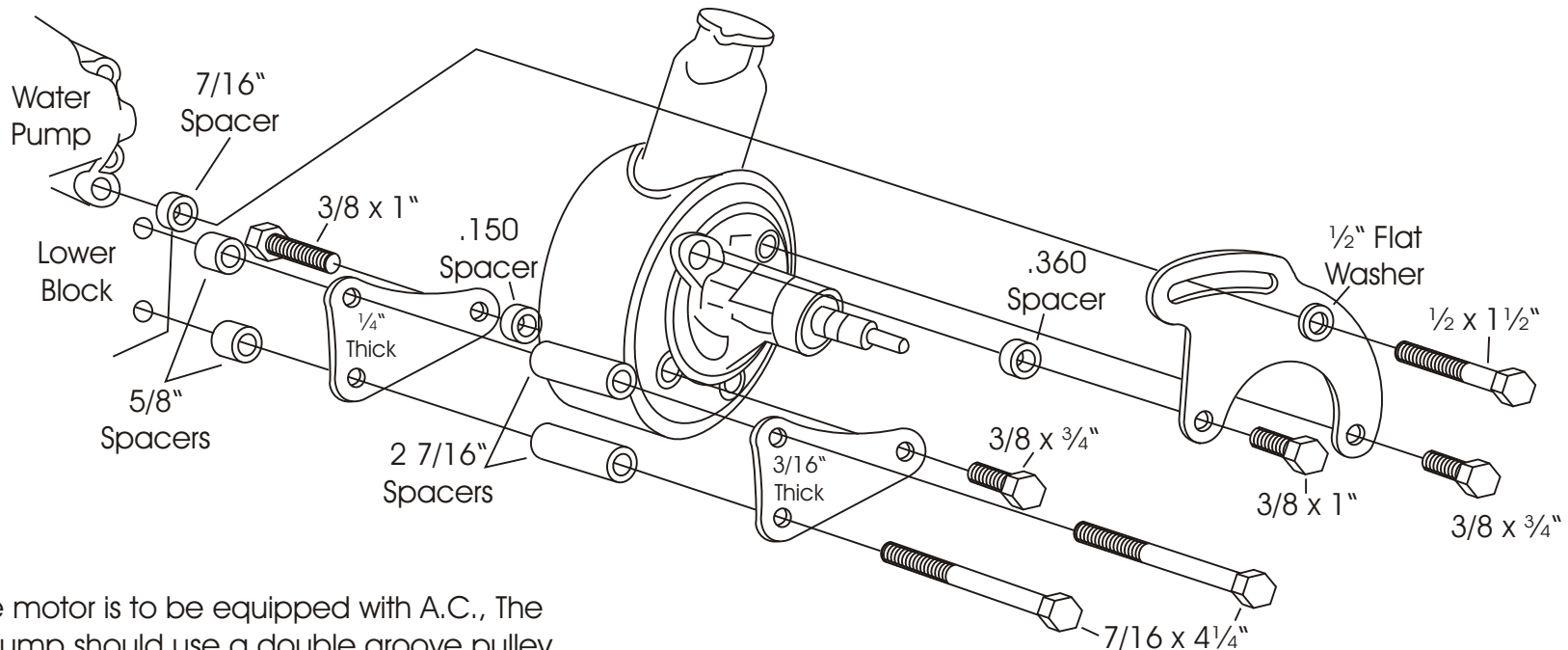


This bracket is designed to be used with the non-metric Chevrolet pump with attached reservoir. There are a large number of pumps available from 1961 to 1981 that will work well with our power steering bracket. For more detailed information see the enclosed power steering pump sheet.

## POWER STEERING PUMP MOUNT

### 407L

Big Block Chevy - Driver's Side  
Long Water Pump



If the motor is to be equipped with A.C., The P.S. Pump should use a double groove pulley and the crankshaft a triple groove pulley. This will allow the use of a belt on the inner grooves of both the crankshaft and the power steering pump.

We use a belt length of 41 1/2 - 42" with this mount on installations in our shop. However; this can vary with the diameter of your pulleys.

**As with any part of this nature, make sure it fits your application before painting or plating. Parts that have been painted, plated, or modified may not be returned.**