

# LOWER ALTERNATOR MOUNT

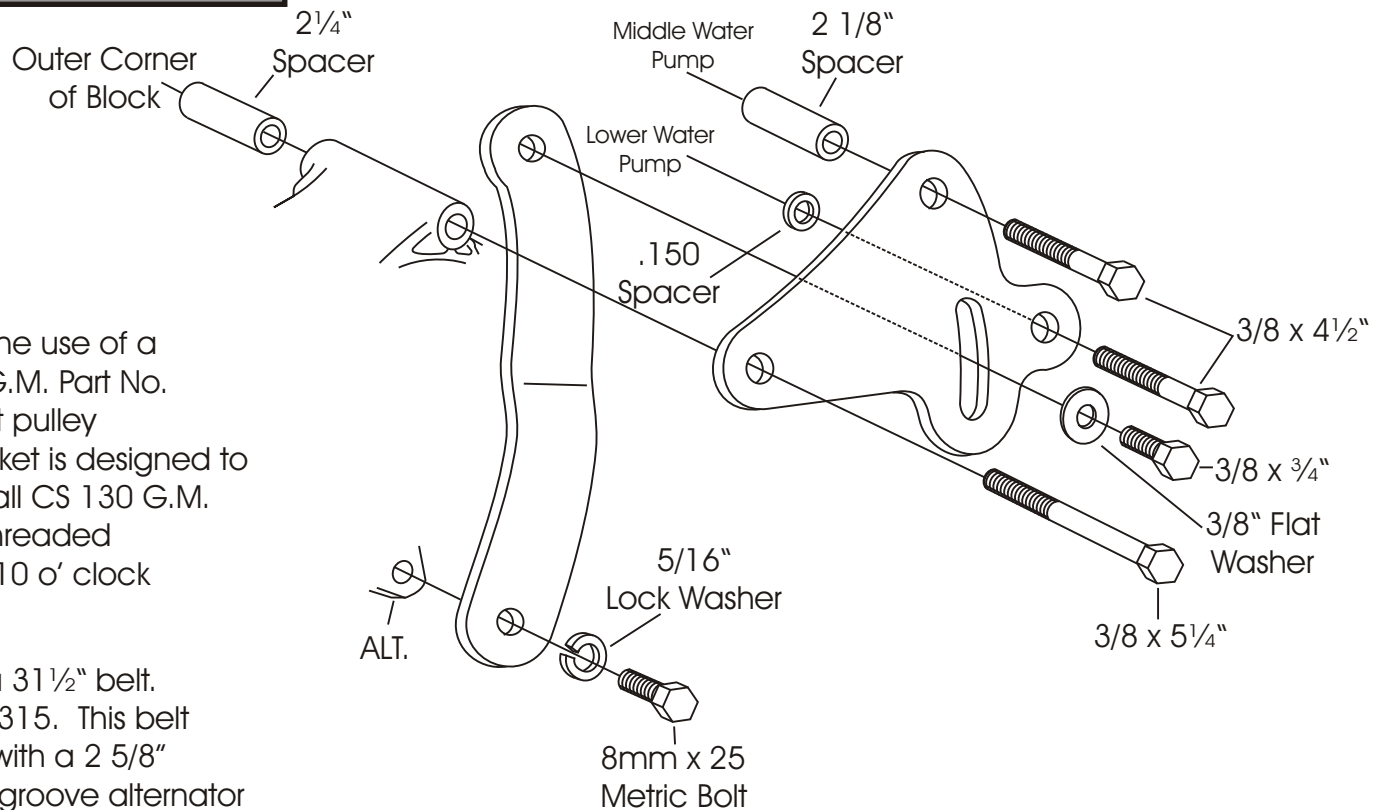
## 227R

LT-1 - Small Block Chevy  
Passenger's Side



This system requires the use of a Corvette balancer, G.M. Part No. 10128489 for correct pulley alignment. The bracket is designed to be used with the small CS 130 G.M. Alternators with the threaded mounting ear in the 10 o' clock position.

Requires the use of a 31 1/2" belt. Dayco Part No. 5050315. This belt dimension is for use with a 2 5/8" diameter G.M. multi-groove alternator pulley.



**As with any part of this nature, make sure it fits your application before painting or plating. Parts that have been painted, plated, or modified may not be returned.**