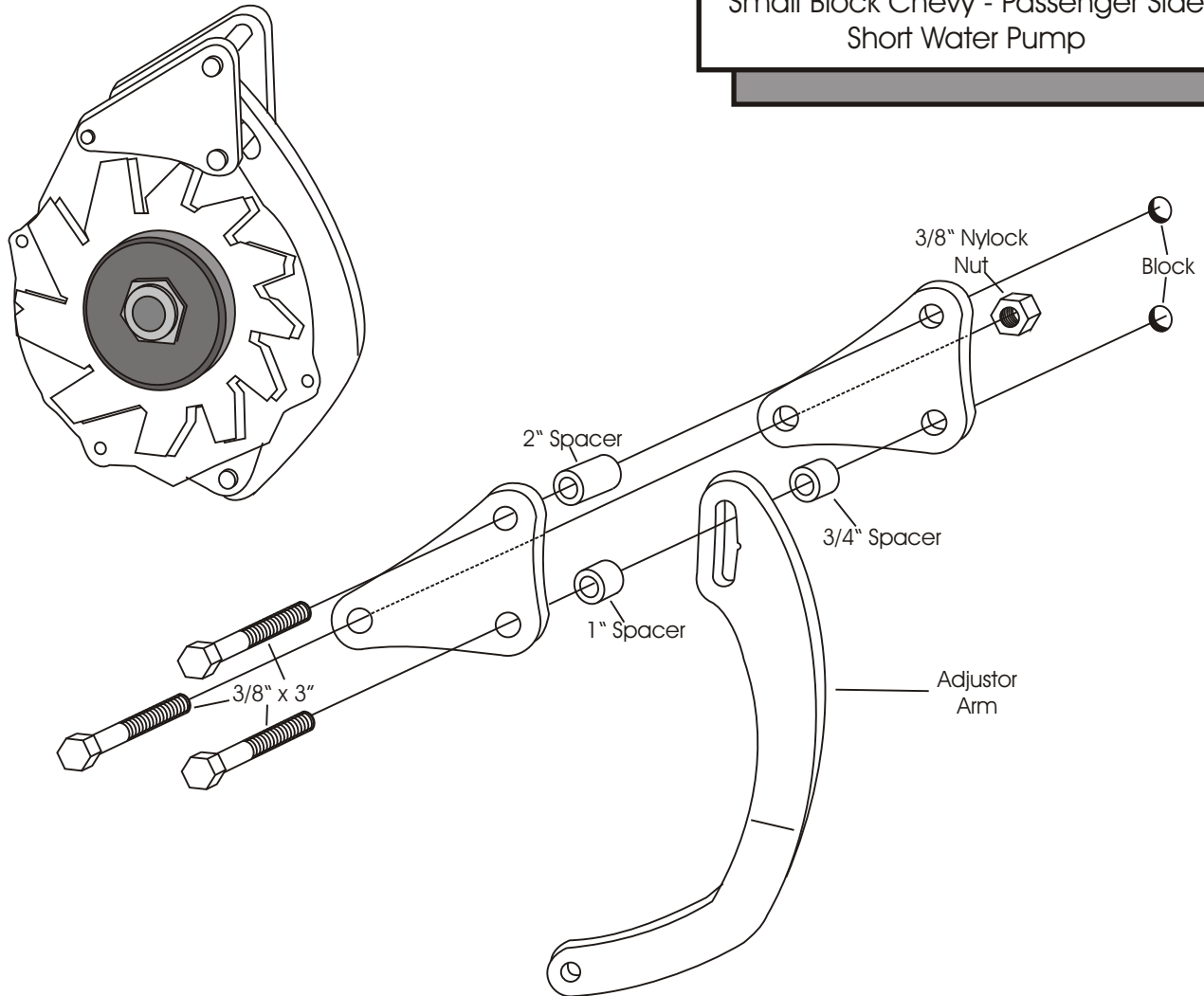




# LOWER ALTERNATOR MOUNT

## 211R

Small Block Chevy - Passenger Side  
Short Water Pump



(We use a belt length of 42 to 43" with this mount on installations in our shop. However; this can vary with the diameter of your pulleys.)

**As with any part of this nature, make sure it fits your application before painting or plating. Parts that have been painted, plated, or modified may not be returned.**