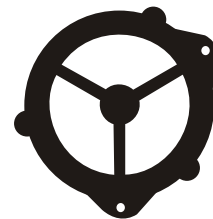
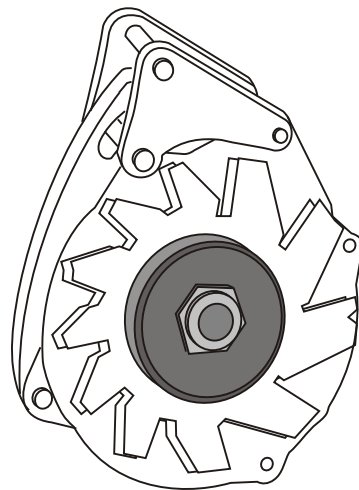
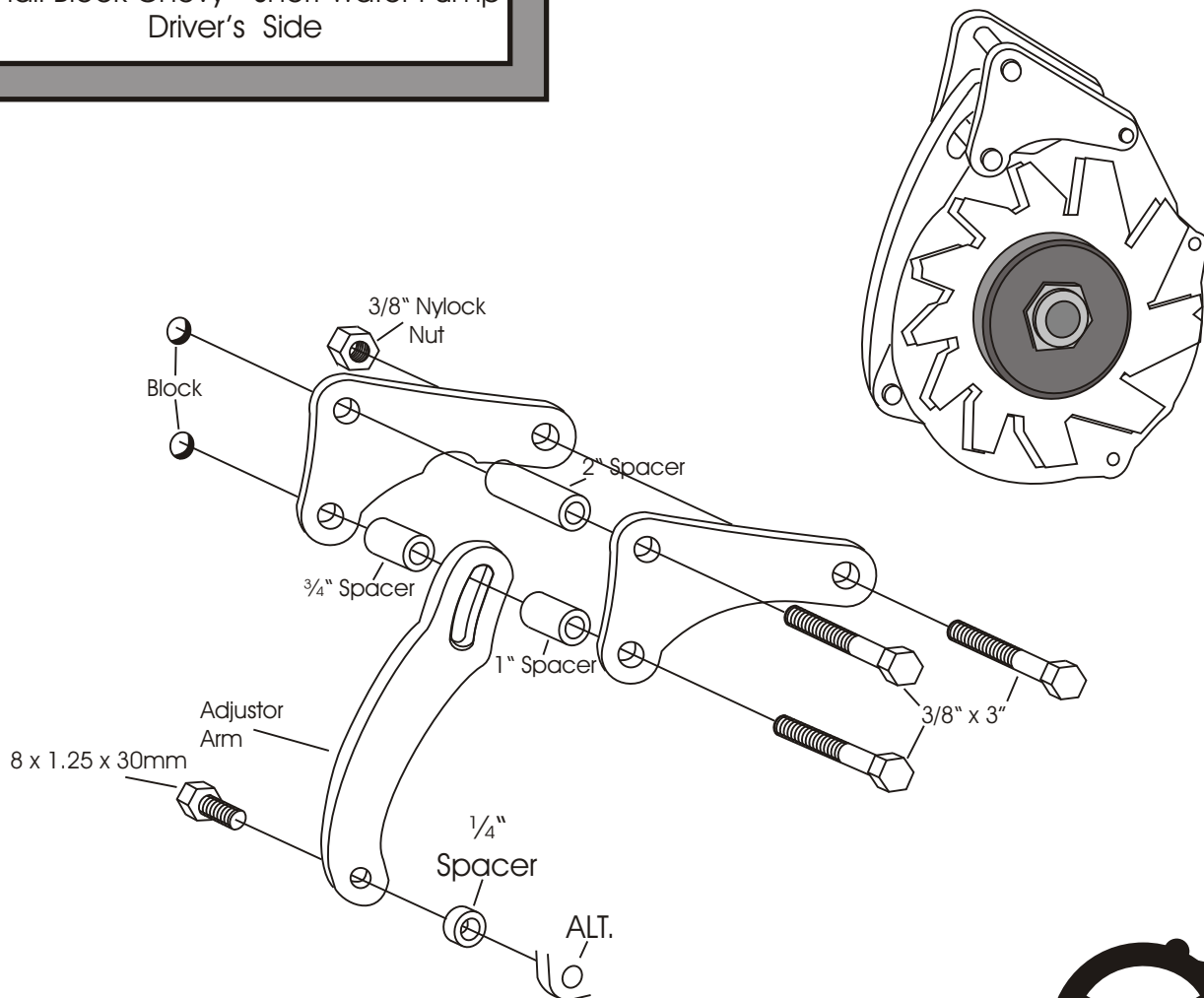


# LOWER ALTERNATOR MOUNT 209L

Small Block Chevy - Short Water Pump  
Driver's Side



This bracket is designed to be used with the small CS 130 G.M. Alternators with the threaded mounting ear in the 2 o' clock position.

(We use a belt length of 42 to 42½" with this mount on installations in our shop. However; this can vary with the diameter of your pulleys.)

**As with any part of this nature, make sure it fits your application before painting or plating. Parts that have been painted, plated, or modified may not be returned.**